

Sensor operated Solid Brass electronic Lavatory Faucet activated by an infrared sensor, to be used with cold or premixed water. Powered by a 9V external plug-in transformer with a latching filtered solenoid valve that is mounted inside the faucet body, Sensor range is manually adjustable and by an "OPTIONAL" remote control. Other sensor settings (Sensor range, delay in, delay out and security time) can also be adjusted by the remote control. Faucet will automatically shut off after 90 seconds and has a low level battery indicator. Faucet is supplied with a vandal resistant 0.5 GPM aerator.



Use:

Touch free electronic faucet is ADA Compliant. The faucet is activated automatically when the user brings his or her hands within the sensor range.

Applications:

Ideal for offices, restaurants, stadiums or for any commercial application.

Installation:

Lavatory mounted.

Water supply:

Cold or premixed water (1 inlet).

Water temperature:

Max 158°.

Power source:

9V Plug-in Transformer, (120VAC / 9VDC).

Operating pressure:

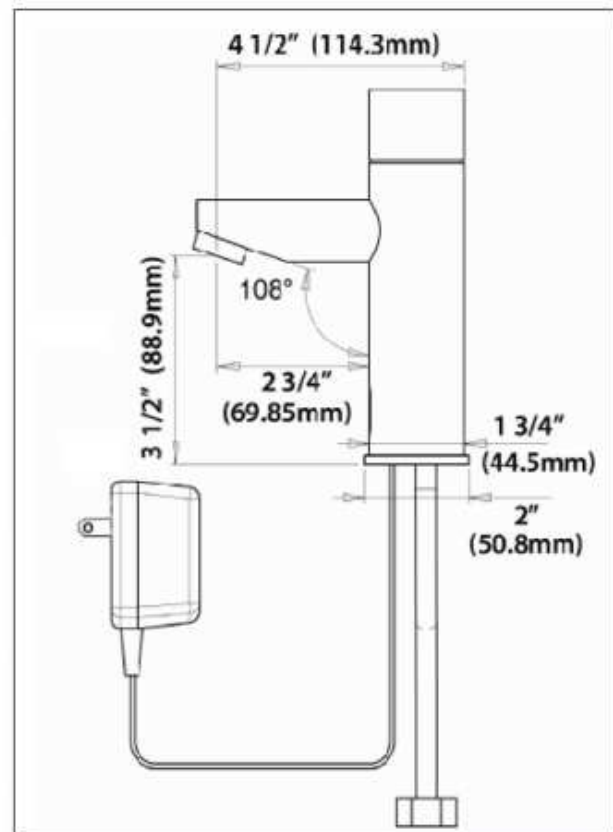
(7 - 116 PSI).

Warranty:

2 years.

Variations

- DP4 – Deckplate 4" Centers
- SF1555 – Remote Control
- LPT – Less Plug-in Transformer
- TB3 – Transformer Box up to 3 Faucets
- TB10 – Transformer Box up to 10 Faucets
- MM – Mechanical Mixing Valve



ASME A112.18.1-2011/CSA B125.1-11 including Update No. 1 dated November 2011

