

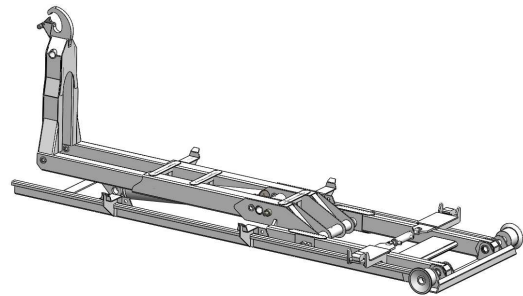
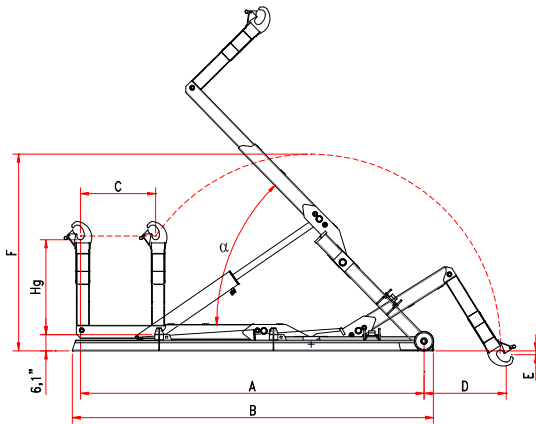


b.o.b. Sistemi Idraulici S.p.A.

unilift[®]

COMPANY WITH
QUALITY SYSTEM
CERTIFIED BY DNV GL
= ISO 9001 =

HOOKLIFT « T 7.000 »



MODEL	T 7.000 C	T 7.000 N	T 7.000 L
Hg	35,63" (905 mm)	35,63" (905 mm)	35,63" (905 mm)
A	113,77" (2.890 mm)	125,59" (3.190 mm)	132,28" (3.360 mm)
B	107,28" (2.725 mm)	119,09" (3.025 mm)	125,98" (3.200 mm)
C	17,71" (450 mm)	23,62" (600 mm)	27,55" (700 mm)
D	38,97" (990 mm)	33,07" (840 mm)	29,92" (760 mm)
E	1,37" (35 mm)	1,37" (35 mm)	1,37" (35 mm)
F	71,65" (1.820 mm)	71,65" (1.820 mm)	71,65" (1.820 mm)
Weight*	1.165 lb (530 Kg)	1.210 lb (550 Kg)	1.230 lb (560 Kg)
α	51°	47°	46°
Container min. max.	9' - 11' (2.740 - 3.350 mm)	10' - 12' (3.050 - 3.650 mm)	11' - 13' (3.350 - 3.950 mm)
LIFTING CAPACITY	7.000 lb (3.180 Kg)	7.000 lb (3.180 Kg)	7.000 lb (3.180 Kg)
TIPPING CAPACITY	7.000 lb (3.180 Kg)	7.000 lb (3.180 Kg)	7.000 lb (3.180 Kg)

*Weight: basic hooklift weight without kit and options

The technical details shown in this sheet are indicative and can be changed by the builder without prior notice

B.O.B. Sistemi Idraulici S.p.A. – Regione Oltre Rea, 32 – 12060 Monchiero (CN) - Italia
P. I.V.A. 00496180043 - Tel.: +39 (0173) 780002/3 – Fax: +39 (0173) 780004
Internet: www.bobspa.com - E-mail: info@bobspa.com