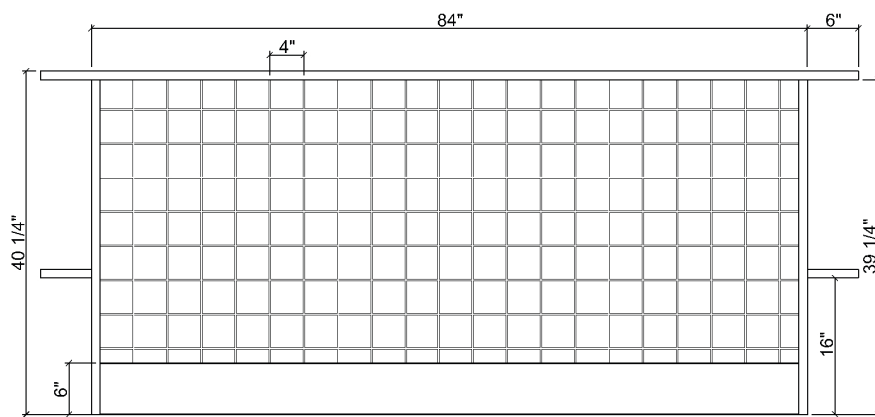
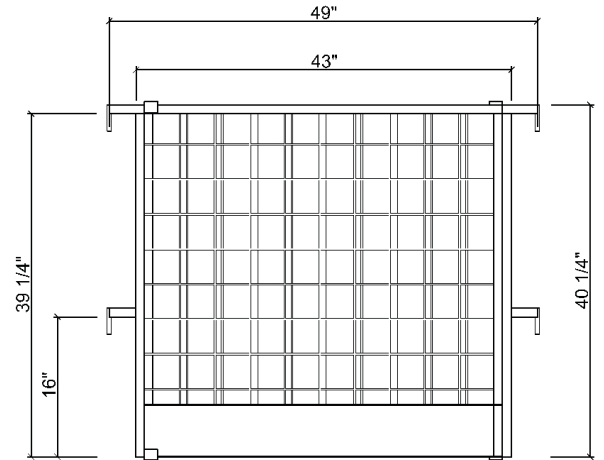
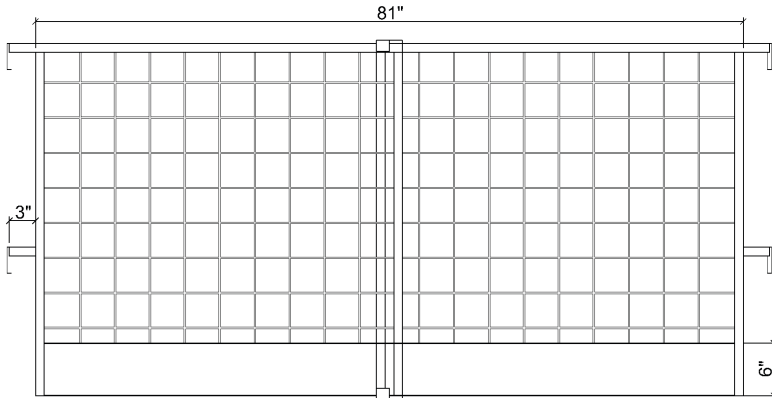
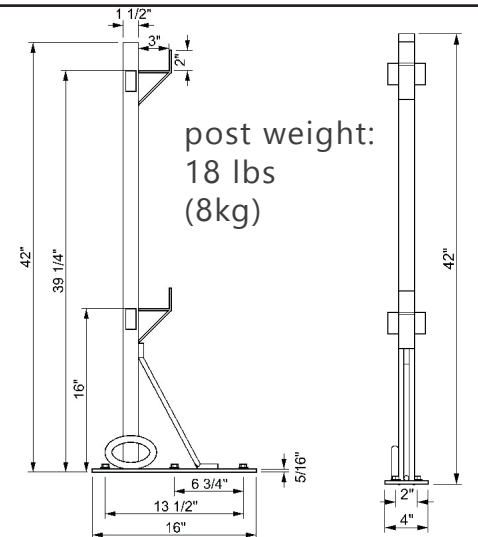


GUARDRAIL POST AND PANELS

adjustable panel weight: 58 lbs (26 kg)



fixed panel weight: 49 lbs (22 kg)



- solid steel
- hot dip galvanized
- adjustable panel width 49" - 81" (124 cm - 206 cm)
- 4" (10 cm) mesh
- 6" (15 cm) toeboard
- fully compliant with all relevant OSHA and Canadian provincial and national regulations

safe productivity at the leading edge

t. 855.591.7272

w. info@highlandssystems.com

a. 200 Terence Matthews Cres., Ottawa, ON, Canada K2M 2C6