

Radio Interface Cable

For NCS-C250 Mobile Multi-Switcher

NCS Model Number

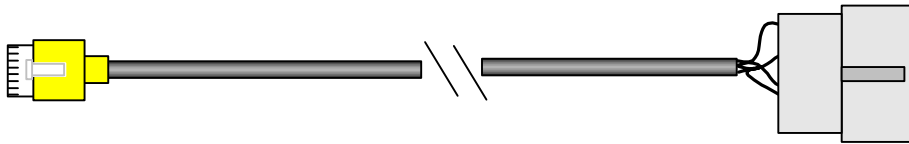
NCS-250-KGA-XX

Compatible Radios:

TK-6110

To NCS-C250 Radio
Input Jack

To Radio Accessory
Connector



RJ-45

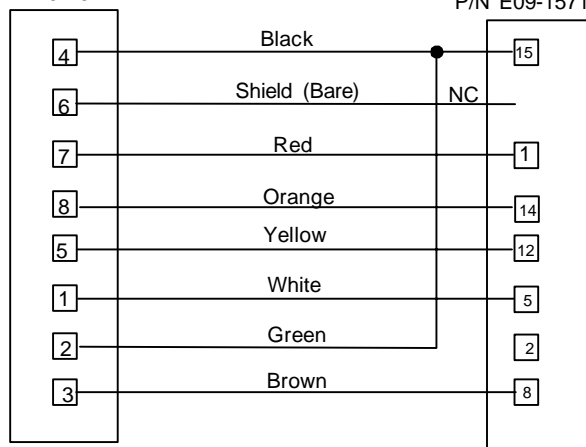
Pin # Wire Color Function

Pin #	Wire Color	Function
1	White	Mic Hi
2	Green	Mic Lo
3	Brown	PTT
4	Black	Ground
5	Yellow	Rx Audio
6	Shield	Ground
7	Red	Hook Sw*
8	Orange	COR*

*Active only if Switch Hook or
COR Option installed.

RJ-45

Kenwood 15 Pin Connector
P/N E09-1571-05



Cable Wiring