



Catalog 2015 of LED Linear High Bays IP65

These LHB will lower electric bill up to 70%



an industry leader in providing the market with innovative, energy efficient, money saving LED lights

**All our LED Light Bulbs are Environmentally friendly
Have No Infrared or UV radiation**

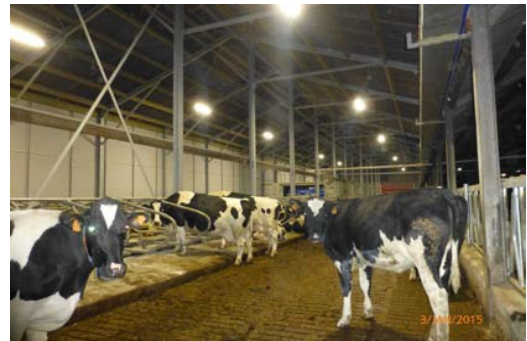
Average lifetime of Linear High Bays is 10-20x longer than Metal Halide, HPS light bulbs and T5HO bulbs

Less pulsation/flicker, that makes light environment more safe for workers

High Ceiling type of Linear High Bays is available

Linear High Bays IP65 50.0 – 600.0 Watt Replaces MH, HPS, FL 125.0 – 1500.0 Watt Replaces High Bays with T5HO tubes

- **Highest efficiency on market - up to 125 Lm/w**
 - Save up to **70%** compared to Metal Halide, High Pressure Sodium bulbs
 - Save up to **50%** compare to **T5HO tubes High Bays**
- **Longer life span than regular LED High Bay and others**
 - Lower operating temperature
 - Better heat dissipation
 - Bigger heat sink
- **Intended for use in harsh environments:**
 - High temperature environment
 - Low Temperature environment
 - High moisture environment
 - High Dust environment
 - Has all silicone gaskets - longer life
 - **Dustproof - IP 65**
 - Can be spray washed - **IP 65 Waterproof**
- **Suitable for agriculture use:**
 - Green houses
 - Chicken, turkey farms
 - Pig farms
 - Cow farms
- **Provides wider light spread of light**
 - Eliminates glare
 - Reduces shadows
- **Increase energy savings by using occupancy sensors and electronic switches**
 - Unlimited number of On/Off cycles
 - Has dimmable options: 0 - 10V, DMX, DALI
- **Fast installation with provided hanging kits**
 - All sizes 2, 3, 4, 5 Feet available
 - **High Ceiling type - HCLHB is available - up to 120 foot high**

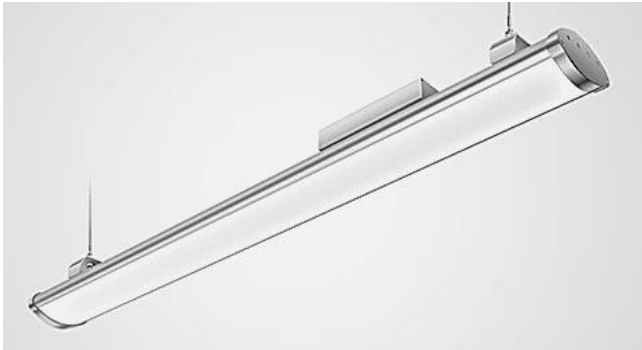


Linear High Bay IP65(LHB) 60 Watt

Replaces Metal Halide or HPS – up to 125 Watt, HB with T5HO

Key Features and Benefits:

- Replaces High Bay shop lights with **T5 HO tubes**
- **Replacement for Metal Halide, HPS, T5HO lights**
- **Lowers electric light bill up to 80%**
- **IP65 – Dust proof, corrosion proof, water proof**
- **Immediate start – NO warm up time**
- **No cool down time – can start again in a second**
- **Compatible with** occupancy sensors
- **More work hours - 70,000 Hours Average Life time**
- **Low Pulsation light – Less eye fatigue, less stress**
- **Free** from Ultraviolet and Infrared radiation
- **Free** from Mercury and Lead. **RoHS** certified
- **More On/Off Switching cycles - 20000X+**
- **Less load** on electrical grid, **NO** maintains



Ordering Code:

AZFY-LHB-60-120-5,0-US

General Characteristics:

Type:	Linear High Bay
Body:	Anodized Aluminum
Diffusor:	Polycarbonate
Protection rate:	IP65
Rated avg. lifespan:	> 70,000 hours

Light Technical Characteristics:

Lumen output (Lm) :	6500-7500
Lumen per Watt - Efficacy (Lm/W):	up to 125
Color T available:	2200K - 5000K
Beam Angle:	120 degree

Electrical Characteristics:

Wattage:	60.0 Watt
Voltage:	120 /277 VAC
Frequency:	50-60 Hz
Power Factor:	> 0.95
Lamp Current:	0.5A
Dimmable:	Available as an Option
Starting Time:	0.5s

Warnings and safety:

- Before replacing, **turn off power** to avoid electrical shock or burn.



LHB dimensions:

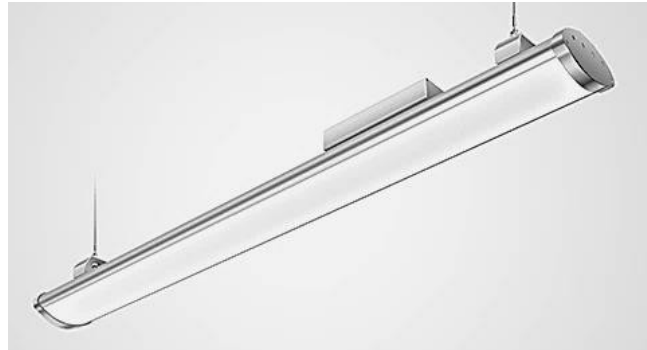
Overall Length (L): 25.23"/641 mm
 Width (W): 5.5"/140 mm
 Height (H): 3.00"/75 mm

Worldwide and USA patented

Linear High Bay IP65(LHB) 80 Watt

Replaces Metal Halide or HPS – up to 175 Watt, HB with T5HO

Key Features and Benefits:



Ordering Code:

AZFY-LHB-80-120-5,0-US

General Characteristics:



Type:	Linear High Bay
Body:	Anodized Aluminum
Diffusor:	Polycarbonate
Protection rate:	IP65
Rated avg. lifespan:	> 70,000 hours



Light Technical Characteristics:

Lumen output (Lm) :	9000-10000
Lumen per Watt - Efficacy (Lm/W):	up to 125
Color T available:	2200K - 6500K
Beam Angle:	120 degree

Electrical Characteristics:

Wattage:	80.0 Watt
Voltage:	120 /277 VAC
Frequency:	50-60 Hz
Power Factor:	> 0.95
Lamp Current:	0.65A
Dimmable:	Available as an Option
Starting Time:	0.5s

LHB dimensions:

Overall Length (L):	25.23"/641 mm
Width (W):	5.5"/140 mm
Height (H):	3.00"/75 mm

Worldwide and USA patented

Warnings and safety:

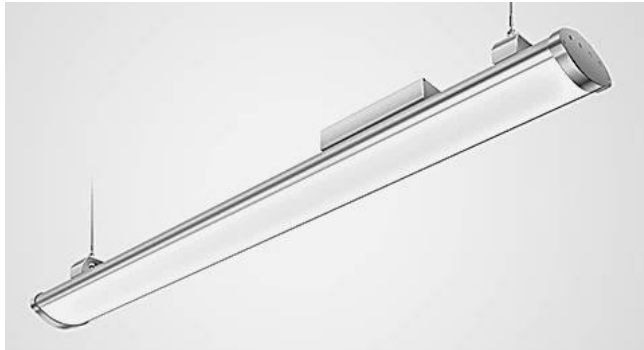
- Before replacing, **turn off power** to avoid electrical shock or burn.

Linear High Bay IP65(LHB) 100 Watt

Replaces Metal Halide or HPS – up to 225 Watt, HB with T5HO

Key Features and Benefits:

- Replaces High Bay shop lights with **T5 HO tubes**
- **Replacement for Metal Halide, HPS, T5HO lights**
- **Lowers electric light bill up to 80%**
- **IP65 – Dust proof, corrosion proof, water proof**
- **Immediate start – NO warm up time**
- **No cool down time – can start again in a second**
- **Compatible with** occupancy sensors
- **More work hours - 70,000 Hours Average Life time**
- **Low Pulsation light – Less eye fatigue, less stress**
- **Free** from Ultraviolet and Infrared radiation
- **Free** from Mercury and Lead. **RoHS** certified
- **More On/Off Switching cycles - 20000X+**
- **Less load** on electrical grid, **NO** maintains



Ordering Code:

AZFY-LHB-100-120-5,0-US

General Characteristics:

Type:	Linear High Bay
Body:	Anodized Aluminum
Diffusor:	Polycarbonate
Protection rate:	IP65
Rated avg. lifespan:	> 70,000 hours



Light Technical Characteristics:

Lumen output (Lm) :	11000-12000
Lumen per Watt - Efficacy (Lm/W):	up to 125
Color T available:	2200K - 6500K
Beam Angle:	120 degree



Electrical Characteristics:

Wattage:	100.0 Watt
Voltage:	120 /277 VAC
Frequency:	50-60 Hz
Power Factor:	> 0.95
Lamp Current:	0.85A
Dimmable:	Available as an Option
Starting Time:	0.5s

LHB dimensions:

Overall Length (L):	36.0"/915 mm
Width (W):	5.5"/140 mm
Height (H):	3.00"/75 mm

Worldwide and USA patented

Warnings and safety:

- Before replacing, **turn off power** to avoid electrical shock or burn.

Linear High Bay IP65(LHB) 120 Watt

Replaces Metal Halide or HPS – up to 300 Watt, HB with T5HO

Key Features and Benefits:

- Replaces High Bay shop lights with **T5 HO tubes**
- **Replacement for Metal Halide, HPS, T5HO lights**
- **Lowers electric light bill up to 80%**
- **IP65 – Dust proof, corrosion proof, water proof**
- **Immediate start – NO warm up time**
- **No cool down time – can start again in a second**
- **Compatible with** occupancy sensors
- **More work hours - 70,000 Hours Average Life time**
- **Low Pulsation light – Less eye fatigue, less stress**
- **Free** from Ultraviolet and Infrared radiation
- **Free** from Mercury and Lead. **RoHS** certified
- **More On/Off Switching cycles - 20000X+**
- **Less load** on electrical grid, **NO** maintains



Ordering Code:

AZFY-LHB-120-120-5,0-US

General Characteristics:

Type:	Linear High Bay
Body:	Anodized Aluminum
Diffusor:	Polycarbonate
Protection rate:	IP65
Rated avg. lifespan:	> 70,000 hours



Light Technical Characteristics:

Lumen output (Lm) :	13000-14000
Lumen per Watt - Efficacy (Lm/W):	up to 125
Color T available:	2200K - 6500K
Beam Angle:	120 degree



Electrical Characteristics:

Wattage:	120.0 Watt
Voltage:	120 /277 VAC
Frequency:	50-60 Hz
Power Factor:	> 0.95
Lamp Current:	1.0 A
Dimmable:	Available as an Option
Starting Time:	0.5s

LHB dimensions:

Overall Length (L):	36.0"/915 mm
Width (W):	5.5"/140 mm
Height (H):	3.00"/75 mm

Worldwide and USA patented

Warnings and safety:

- Before replacing, **turn off power** to avoid electrical shock or burn.

Linear High Bay IP65(LHB) 150 Watt

Replaces Metal Halide or HPS – up to 400 Watt, HB with T5HO

Key Features and Benefits:

- Replaces High Bay shop lights with **T5 HO tubes**
- **Replacement for Metal Halide, HPS, T5HO lights**
- **Lowers electric light bill up to 80%**
- **IP65 – Dust proof, corrosion proof, water proof**
- **Immediate start – NO warm up time**
- **No cool down time – can start again in a second**
- **Compatible with** occupancy sensors
- **More work hours - 70,000 Hours Average Life time**
- **Low Pulsation light – Less eye fatigue, less stress**
- **Free** from Ultraviolet and Infrared radiation
- **Free** from Mercury and Lead. **RoHS** certified
- **More On/Off Switching cycles - 20000X+**
- **Less load** on electrical grid, **NO** maintains



Ordering Code:

AZFY-LHB-150-120-5,0-US

General Characteristics:

Type:	Linear High Bay
Body:	Anodized Aluminum
Diffusor:	Polycarbonate
Protection rate:	IP65
Rated avg. lifespan:	> 70,000 hours

Light Technical Characteristics:

Lumen output (Lm) :	15500-17000
Lumen per Watt - Efficacy (Lm/W):	up to 125
Color T available:	2200K - 6500K
Beam Angle:	120 degree

Electrical Characteristics:

Wattage:	150.0 Watt
Voltage:	120 /277 VAC
Frequency:	50-60 Hz
Power Factor:	> 0.95
Lamp Current:	1.25A
Dimmable:	Available as an Option
Starting Time:	0.5s

Warnings and safety:

- Before replacing, **turn off power** to avoid electrical shock or burn.



LHB dimensions:

Overall Length (L):	48.0"/1205 mm
Width (W):	5.5"/140 mm
Height (H):	3.00"/75 mm

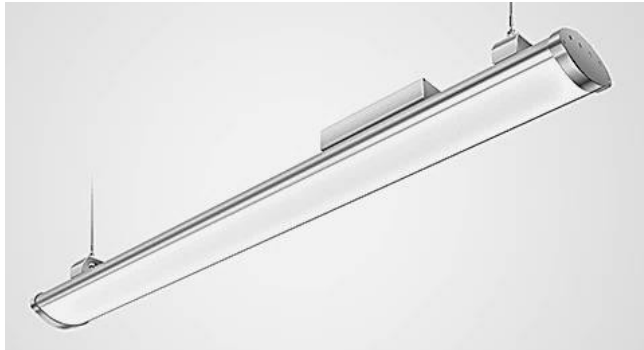
Worldwide and USA patented

Linear High Bay IP65(LHB) 180 Watt

Replaces Metal Halide or HPS – up to 450 Watt, HB with T5HO

Key Features and Benefits:

- Replaces High Bay shop lights with **T5 HO tubes**
- **Replacement for Metal Halide, HPS, T5HO lights**
- **Lowers electric light bill up to 80%**
- **IP65 – Dust proof, corrosion proof, water proof**
- **Immediate start – NO warm up time**
- **No cool down time – can start again in a second**
- **Compatible with** occupancy sensors
- **More work hours - 70,000 Hours Average Life time**
- **Low Pulsation light – Less eye fatigue, less stress**
- **Free** from Ultraviolet and Infrared radiation
- **Free** from Mercury and Lead. **RoHS** certified
- **More On/Off Switching cycles - 20000X+**
- **Less load** on electrical grid, **NO** maintains



Ordering Code:

AZFY-LHB-180-120-5,0-US

General Characteristics:

Type:	Linear High Bay
Body:	Anodized Aluminum
Diffusor:	Polycarbonate
Protection rate:	IP65
Rated avg. lifespan:	> 70,000 hours

Light Technical Characteristics:

Lumen output (Lm) :	18500-21000
Lumen per Watt - Efficacy (Lm/W):	up to 125
Color T available:	2200K - 6500K
Beam Angle:	120 degree

Electrical Characteristics:

Wattage:	180.0 Watt
Voltage:	120 /277 VAC
Frequency:	50-60 Hz
Power Factor:	> 0.95
Lamp Current:	1.5 A
Dimmable:	Available as an Option
Starting Time:	0.5s

Warnings and safety:

- Before replacing, **turn off power** to avoid electrical shock or burn.



LHB dimensions:

Overall Length (L): 48.0"/1205 mm
 Width (W): 5.5"/140 mm
 Height (H): 3.00"/75 mm

Worldwide and USA patented

Linear High Bay IP65(LHB) 200 Watt

Replaces Metal Halide or HPS – up to 500 Watt, HB with T5HO

Key Features and Benefits:

- Replaces High Bay shop lights with **T5 HO tubes**
- **Replacement for Metal Halide, HPS, T5HO lights**
- **Lowers electric light bill up to 80%**
- **IP65 – Dust proof, corrosion proof, water proof**
- **Immediate start – NO warm up time**
- **No cool down time – can start again in a second**
- **Compatible with** occupancy sensors
- **More work hours - 70,000 Hours Average Life time**
- **Low Pulsation light – Less eye fatigue, less stress**
- **Free** from Ultraviolet and Infrared radiation
- **Free** from Mercury and Lead. **RoHS** certified
- **More On/Off Switching cycles - 20000X+**
- **Less load** on electrical grid, **NO** maintains



Ordering Code:

AZFY-LHB-200-120-5,0-US

General Characteristics:

Type:	Linear High Bay
Body:	Anodized Aluminum
Diffusor:	Polycarbonate
Protection rate:	IP65
Rated avg. lifespan:	> 70,000 hours



Light Technical Characteristics:

Lumen output (Lm) :	21000-22000
Lumen per Watt - Efficacy (Lm/W):	up to 125
Color T available:	2200K - 6500K
Beam Angle:	120 degree



Electrical Characteristics:

Wattage:	200.0 Watt
Voltage:	120 /277 VAC
Frequency:	50-60 Hz
Power Factor:	> 0.95
Lamp Current:	1.7 A
Dimmable:	Available as an Option
Starting Time:	0.5s

LHB dimensions:

Overall Length (L):	60.0"/1525 mm
Width (W):	5.5"/140 mm
Height (H):	3.00"/75 mm

Worldwide and USA patented

Warnings and safety:

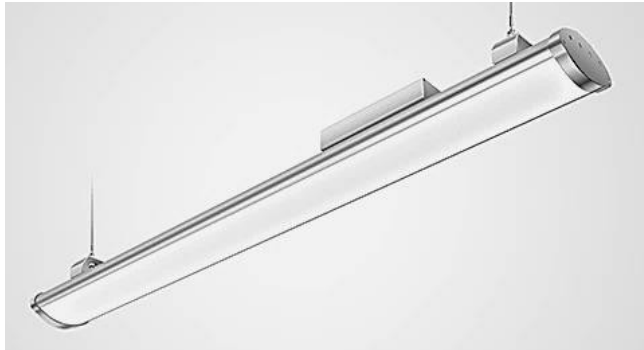
- Before replacing, **turn off power** to avoid electrical shock or burn.

Linear High Bay IP65(LHB) 220 Watt

Replaces Metal Halide or HPS – up to 600 Watt, HB with T5HO

Key Features and Benefits:

- Replaces High Bay shop lights with **T5 HO tubes**
- **Replacement for Metal Halide, HPS, T5HO lights**
- **Lowers electric light bill up to 80%**
- **IP65 – Dust proof, corrosion proof, water proof**
- **Immediate start – NO warm up time**
- **No cool down time – can start again in a second**
- **Compatible with** occupancy sensors
- **More work hours - 70,000 Hours Average Life time**
- **Low Pulsation light – Less eye fatigue, less stress**
- **Free** from Ultraviolet and Infrared radiation
- **Free** from Mercury and Lead. **RoHS** certified
- **More On/Off Switching cycles - 20000X+**
- **Less load** on electrical grid, **NO** maintains



Ordering Code:

AZFY-LHB-220-120-5,0-US

General Characteristics:

Type:	Linear High Bay
Body:	Anodized Aluminum
Diffusor:	Polycarbonate
Protection rate:	IP65
Rated avg. lifespan:	> 70,000 hours



Light Technical Characteristics:

Lumen output (Lm) :	22500-24000
Lumen per Watt - Efficacy (Lm/W):	up to 125
Color T available:	2200K - 6500K
Beam Angle:	120 degree

Electrical Characteristics:

Wattage:	220.0 Watt
Voltage:	120 /277 VAC
Frequency:	50-60 Hz
Power Factor:	> 0.95
Lamp Current:	1.85 A
Dimmable:	Available as an Option
Starting Time:	0.5s

Warnings and safety:

- Before replacing, **turn off power** to avoid electrical shock or burn.



LHB dimensions:

Overall Length (L):	60.0"/1525 mm
Width (W):	5.5"/140 mm
Height (H):	3.00"/75 mm

Worldwide and USA patented

High ceiling, **120 foot**, Linear High Bays IP65(HCLHB)

High power 80 – **600 Watt**, narrow beam 40 – 80 degree

Key Features and Benefits:



- Replaces **High Ceiling** High Bay warehouse lights
- **Replacement for Metal Halide, HPS, T5HO lights**
- **Lowers electric** light bill up to **80%**
- **IP65 – Dust proof, corrosion proof, water proof**
- **Immediate start – NO** warm up time
- **No cool down time –** can start again in a second
- **Compatible with** occupancy sensors
- **More** work hours - **70,000 Hours** Average Life time
- **Low** Pulsation light – **Less** eye fatigue, less stress
- **Free** from Ultraviolet and Infrared radiation
- **Free** from Mercury and Lead. **RoHS** certified
- **More** On/Off Switching cycles - 20000X+
- **Less load** on electrical grid, **NO** maintains

Ordering Code:

AZFY-HCLHB-160-40-5,0-US

General Characteristics:

Type: **High Ceiling Linear High Bay**
 Body: Anodized Aluminum
 Diffusor: Polycarbonate
 Protection rate: **IP65**
 Rated avg. lifespan: > 70,000 hours



Light Technical Characteristics:

Lumen output (Lm) : **17000-19000**
 Lumen per Watt - Efficacy (Lm/W): up to 125
 Color T available: 2200K - 6500K
 Beam Angle: **40/80** degree

Electrical Characteristics:

Wattage: **160.0** Watt
 Voltage: **120 /277** VAC
 Frequency: 50-60 Hz
 Power Factor: > 0.95
 Lamp Current: 1.25 A
 Dimmable: Available as an Option
 Starting Time: 0.5s

Warnings and safety:

- Before replacing, **turn off power** to avoid electrical shock or burn.

HCLHB dimensions:

Overall Length (L): 60.0"/1525 mm
 Width (W): 5.5"/140 mm
 Height (H): 4.00"/100 mm

Worldwide and USA patented



Catalog 2015 of LED Linear High Bays IP65

These LHB will lower electric bill up to 70%



is an industry leader in providing the market with innovative, energy efficient, money saving LED lights.

3349 Sheridan Drive,

Buffalo, New York, 14226

Office: (716) 834-5533 Cell: (716) 566-0455

Fax: (716) 834-0905

info@az-light.com

WWW.AZ-LIGHT.COM