



Wholesale Price List

1-3/8" Select Wood Traverse Rod Assembled Sets with Smooth Wood Surelock® Rings

Sets include:

- Approximately 3.5 Surelock® Rings per foot.
- Standard installation brackets (3" - 4" return).
- Center support, bracket cover and tension pulley.
- Assembled with heavy duty Select Premium Track in Bronze or Aluminum finish.
- Double Rod Sets available.
- Finials must be ordered separately.

Traverse Rod Set Features:

- Drapery weight for Select Tracks - 4 lbs. per ft.
- Maximum continuous set length - 16 ft.
- Maximum set length - 32 ft.
 - Fascia and track will be butted together in the center.
 - The factory finished ends of the fascia will be butted together.
 - Must be 2-way draw.
- Pinch Pleat only.
- Cord Draw is standard.

1-3/8" Assembled Sets with Smooth Wood Surelock® Rings

Description	Finishes	Price
1-3/8" Smooth and Reeded Traverse Rod with Smooth Wood Rings	76	30.50 ft.
1-3/8" Smooth and Reeded Traverse Rod with Smooth Wood Rings	03, 45, 50, 55	33.50 ft.
1-3/8" Smooth and Reeded Traverse Rod with Smooth Wood Rings	17, 23, 47, 52, 955, 960, 965	37.50 ft.

Double Rod Sets Available - See Surcharges Below

Double Traverse Rod Sets Surcharges and Options

- Available with back rod as "Track Only" or with 1-3/8" Fascia attached to cover the back track. With this option 1-3/8" End Caps or Finials must be ordered separately.
- Double Mount Brackets are included with sets.

Back Track Without 1-3/8" Fascia Attached add \$12.00 ft.

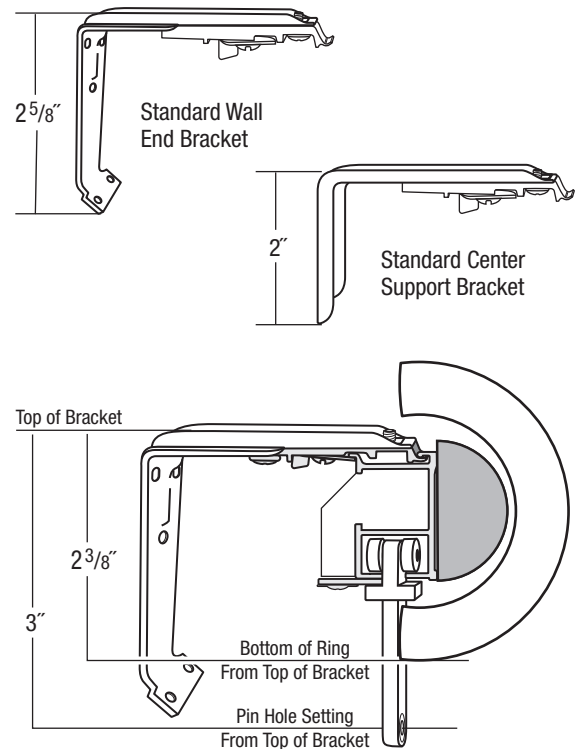
Back Track With 1-3/8" Smooth or Reeded Fascia attached		
Finish	76	add \$19.00 ft.
Finish	03, 45, 50, 55	add \$20.00 ft.
Finish	17, 23, 47, 52, 955, 960, 965	add \$21.00 ft.

Rings are not available on 1-3/8" back track.

Ceiling mount not recommended for rods with rings.

Finials Must Be Ordered Separately:
See Select Wood Brochure, 2016SELB, for complete selection.

A packaging / handling surcharge of \$10.00 per rod will be added for each traverse rod over 120" wide.



Additional 1-3/8" Smooth Wood Surelock® Traverse Rings

Item No.	Description	Finishes	Price
13-390	1-3/8" Smooth Wood Rings	76	2.95 ea.
13-390	1-3/8" Smooth Wood Rings	03, 45, 50, 55	3.45 ea.
13-390	1-3/8" Smooth Wood Rings	17, 23, 47, 52, 955, 960, 965	3.95 ea.



Wholesale Price List

Curved and Bent Select Traverse Rods

“Track Only” - Select Traverse Rod Assembled Sets

Description	Finishes	Price
Assembled Select Premium Traverse Rod Set	17, 90	12.00 ft.

Surcharges for Select “Track Only”

Curving Surcharge	\$5.00 per foot
Bending Surcharge	\$10.00 per bend
Crating Surcharge	\$50.00 per crate

Identical rods may be packed in one crate.

Bay, Corner, or Continuous Curved Traverse Rods with Decorative Fascia

- Finials Must Be Ordered Separately.
See Select Wood Brochure, 2016SELB, for complete selection.
- Finishes Available:
Antique Pewter (965), Black (45), Black Walnut (47), Bronze (17) Linen (52), Mahogany (03), Mocha (955), Vintage Gold (23), Platinum (960), Walnut (55), and White (50).
- Template is required.
- Assembled with Select Premium Track.
Bronze or Aluminum track finish.
- Motorization available.

1-3/8” Select Curved or Bent Traverse Rod Assembled Sets with Decorative Fascia

Price includes curving and bending charges. Crating charge - \$50 per crate.

Description	Finishes	Price
1-3/8” Smooth and Reeded Select Traverse Rods <i>Without Rings</i>	Select Wood Finishes	46.00 ft.
1-3/8” Smooth and Reeded Select Traverse Rods <i>With Smooth Rings</i>	Select Wood Finishes	59.85 ft.

2-1/4” Select Curved or Bent Traverse Rod Assembled Sets with Decorative Fascia

Price includes curving and bending charges. Crating charge - \$50 per crate.

Description	Finishes	Price
2-1/4” Smooth and Reeded Select Traverse Rods <i>Rings Not Available</i>	Select Wood Finishes	63.25 ft.

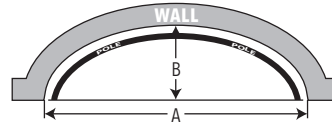
Double Traverse Rod Set Surcharges and Options:

- Available with back rod as “Track Only” or with 1-3/8” fascia attached to cover the back track.
- Double Mount Brackets are included with sets.

Surcharge for Double Mount Rod Sets:

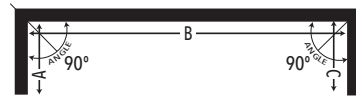
Back Track <i>Without</i> 1-3/8” Fascia attached	add \$12.00 per foot - plus curving or bending surcharges
Back Track <i>With</i> 1-3/8” Smooth or Reeded Fascia attached	add \$46.00 per foot

- Rings are not available on Back Track with Fascia.
- With this option 1-3/8” End Caps or Finials must be ordered.



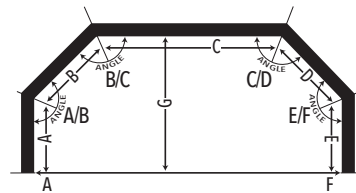
Curved Window

1. Provide wall measurements A and B.
2. Provide drapery return.



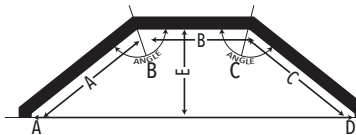
STYLE 1

1. Provide wall measurements A, B and C.
2. Provide drapery return.



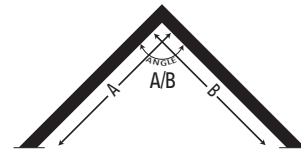
STYLE 2

1. Provide wall measurements A, B, C, D and E.
2. Provide angles (A/B), (B/C), (C/D) and (E/F).
3. Provide window depth G.
4. Provide window width (A/F).
5. Provide drapery return.



STYLE 3

1. Provide wall measurements A, B and C.
2. Provide angles (B) and (C).
3. Provide window depth E.
4. Provide window width (A/D).
5. Provide drapery return.



STYLE 4

1. Provide wall measurements A and B.
2. Provide angle (A/B).
3. Provide drapery return.