

Sensor operated solid brass electronic Lavatory Faucet activated by infrared sensor and with a manual mixer to adjust water temperature. Powered by a 9V externally mounted battery and with a filtered solenoid valve which is internally mounted in the faucet body. Sensor range is manually adjustable and by an “OPTIONAL” remote control. Other sensor settings (Sensor range, delay in, delay out and security time) can also be adjusted by the remote control. Faucet will automatically shut-off after 90 seconds and has a low battery level indicator. Faucet is supplied with a vandal resistant 0.5 GPM aerator.



Use:

Touch free electronic faucet is ADA Compliant. The faucet is activated automatically when the user brings his or her hands within the sensor range.

Applications:

Ideal for offices, restaurants, stadiums or for any commercial application.

Installation:

Lavatory mounted.

Water supply:

Cold and hot water (2 inlets). Features a mixer to adjust the temperature.

Water temperature:

Max 158°.

Power source:

9V battery, externally mounted (Alkaline or Lithium).

Operating pressure:

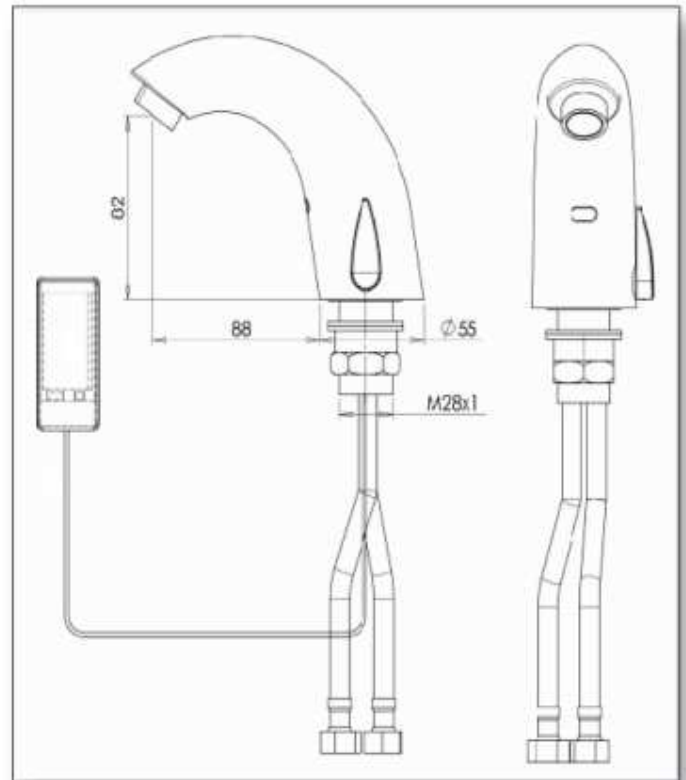
(7 - 116 PSI).

Warranty:

2 years.

Variations

- DP4 – Deckplate 4" Centers
- SF1555 – Remote Control
- MM – Mechanical Mixing Valve



ASME A112.18.1-2011/CSA B125.1-11
including Update No. 1 dated November 2011

