

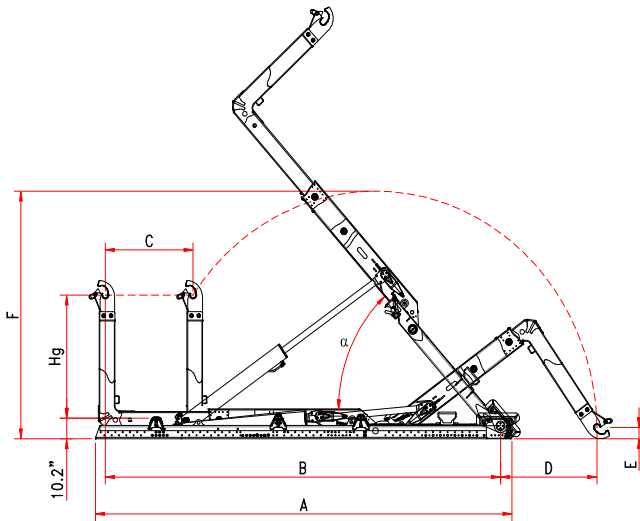


b.o.b. Sistemi Idraulici S.p.A.

unilift®

COMPANY WITH
QUALITY SYSTEM
CERTIFIED BY DNV GL
= ISO 9001 =

HOOKLIFT « T 57.000 »



	STANDARD LENGHT					SPECIAL LENGHT	
MODEL	T 57.000 XC	T 57.000 C	T 57.000 NC	T 57.000 N	T 57.000 NL	T 57.000 L	T 57.000 XL
Hg	53,88"/61,75" (1.369/1.569 mm)	53,88"/61,75" (1.369/1.569 mm)	53,88"/61,75" (1.369/1.569 mm)	53,88"/61,75" (1.369/1.569 mm)	53,88"/61,75" (1.369/1.569 mm)	53,88"/61,75" (1.369/1.569 mm)	53,88"/61,75" (1.369/1.569 mm)
A	192,9" (4.900 mm)	200,78" (5.100 mm)	208,66" (5.300 mm)	216,53" (5.500 mm)	224,4" (5.700 mm)	232,28" (5.900 mm)	240,15" (6.100 mm)
B	181,1" (4.600 mm)	188,97" (4.800 mm)	196,85" (5.000 mm)	204,72" (5.200 mm)	212,59" (5.400 mm)	220,47" (5.600 mm)	228,34" (5.800 mm)
C	31,49" (800 mm)	39,37" (1.000 mm)	47,24" (1.200 mm)	47,24" (1.200 mm)	47,24" (1.200 mm)	47,24" (1.200 mm)	47,24" (1.200 mm)
D	66,92" (1.700 mm)	66,92" (1.700 mm)	66,92" (1.700 mm)	59,05" (1.500 mm)	51,18" (1.300 mm)	43,3" (1.100 mm)	35,43" (900 mm)
E	5,9" (150 mm)	5,9" (150 mm)	5,9" (150 mm)	5,9" (150 mm)	5,9" (150 mm)	5,9" (150 mm)	5,9" (150 mm)
F	122" (3.100 mm)	122" (3.100 mm)	122" (3.100 mm)	122" (3.100 mm)	122" (3.100 mm)	122" (3.100 mm)	122" (3.100 mm)
Weight*	5.450 lb (2.480 Kg)	5.450 lb (2.480 Kg)	5.450 lb (2.480 Kg)	5.540 lb (2.520 Kg)	5.630 lb (2.560 Kg)	5.720 lb (2.600 Kg)	5.800 lb (2.640 Kg)
α	55°	55°	55°	52°	49°	46°	43°
Container min. max.	14' - 17' (4.270 - 5.180 mm)	14' - 18' (4.270 - 5.480 mm)	14' - 19' (4.270 - 5.790 mm)	14' - 20' (4.270 - 6.100 mm)	15' - 20' (4.570 - 6.100 mm)	16' - 21' (4.870 - 6.400 mm)	16' - 22' (4.870 - 6.700 mm)
LIFTING CAPACITY	57.000 lb (25.910 Kg)	57.000 lb (25.910 Kg)	57.000 lb (25.910 Kg)	57.000 lb (25.910 Kg)	57.000 lb (25.910 Kg)	57.000 lb (25.910 Kg)	57.000 lb (25.910 Kg)
TIPPING CAPACITY	57.000 lb (25.910 Kg)	57.000 lb (25.910 Kg)	57.000 lb (25.910 Kg)	57.000 lb (25.910 Kg)	57.000 lb (25.910 Kg)	57.000 lb (25.910 Kg)	57.000 lb (25.910 Kg)

*Weight: basic hooklift weight without kit and options

The technical details shown in this sheet are indicative and can be changed by the builder without prior notice

B.O.B. Sistemi Idraulici S.p.A. – Regione Oltre Rea, 32 – 12060 Monchiero (CN) - Italia

P. I.V.A. 00496180043 - Tel.: +39 (0173) 780002/3 – Fax: +39 (0173) 780004

Internet: www.bobspa.com - E-mail: info@bobspa.com



b.o.b. Sistemi Idraulici S.p.A.

unilift[®]

COMPANY WITH
QUALITY SYSTEM
CERTIFIED BY DNV GL
= ISO 9001 =



FEATURES

Lifting capacity: 57.000 lb
Max. operating pressure 30 MPa (sealed relief valve)
Recommended max oil flow 90 l/min
With flow control SDS 150 Walvoil
Operating times: with 80 l/min pump
Tipping time: 50 sec
Loading time: 47 sec
Free tunnel height: 4,7" (120 mm)

SECURITIES

Bolted hook with mechanical security
Mechanical tipping security (counter-hooks) with mechanical self tipping system
Hydraulic tipping interlock security on telescopic arm
Mechanical external locking

KIT ENDOWMENT

BOBEASY cab controls
Ground manual flow control levers
Oil tank capacity: front 110 l / lateral 160 l
Adhesive stickers and labels

DOCUMENTS

Mounting instruction manual and spare parts
Warranty forms
CE certification

OPTIONS

Flow control SDS 180 for 130 l/min flow coupled to bent axis piston pump cap 108 l/min
Tipping: 38 sec
Loading time: 35 sec
Additional flow control element (for stabilizer /hydraulic locking)
Heavy duty rear foldable / vertical stabilizer
Pneumatic hook security
Radio control BOBEASY
Tilting rear rollers
Hook with mechanical/hydraulic adjustable level

The technical details shown in this sheet are indicative and can be changed by the builder without prior notice

B.O.B. Sistemi Idraulici S.p.A. – Regione Oltre Rea, 32 – 12060 Monchiero (CN) - Italia
P. I.V.A. 00496180043 - Tel.: +39 (0173) 780002/3 – Fax: +39 (0173) 780004
Internet: www.bobspa.com - E-mail: info@bobspa.com