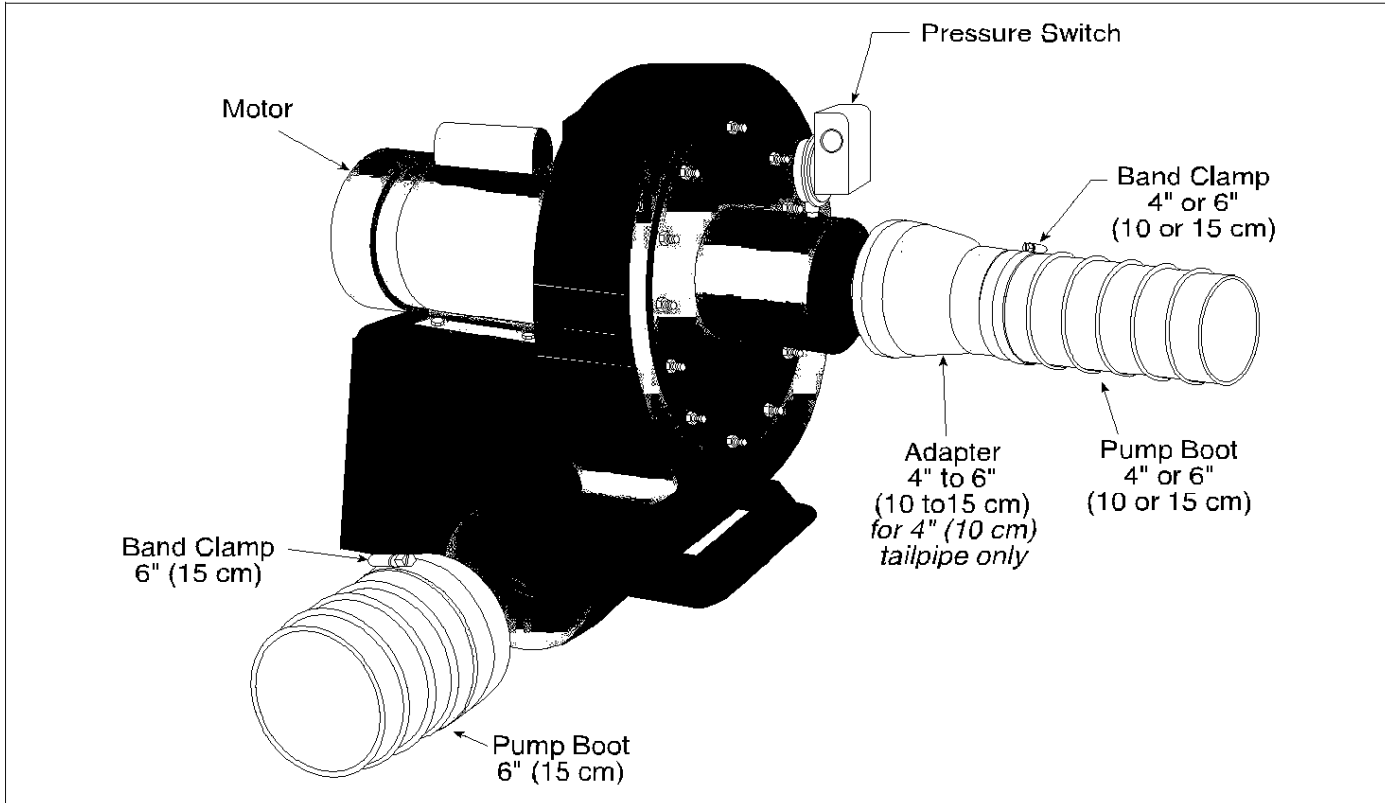


EP-301 VACUUM PUMP 2HP



9.1 Replacement Parts

Description	Part Number
Motor 2HP, 230V, 1PH	90605102
Motor Assembly, 3PH	90605103
4" (10 cm) Band Clamp	91901300
6" (15 cm) Band Clamp	91913703
Pressure Switch	90430600

Description	Part Number
Isolator Pads	T00680
4" (10 cm) Pump Boot	91412800
6" (15 cm) Pump Boot	91412802
Mounting Angle	01365000
Adapter 6" x 4" (15 cm x 10 cm)	02719903

9.2 Accessories

Description	Part Number
4" Plain Coupling	01312700
6" Plain Coupling	01312706
4" Lined Coupling	01312701
4" Damper Coupling	01331900
6" Damper Coupling	E0009356
4" Aluminized Tee	01330203
6" Aluminized Tee	01330204
4" Coated Tee	0133022D
6" Coated Tee	0133025D
4" Aluminized Cross	01330903
6" Aluminized Cross	01330904
4" Coated Cross	0133092D
6" Coated Cross	0133095D

Description	Part Number
4" Aluminized 90° Elbow	01335801
6" Aluminized 90° Elbow	T0100320
4" Coated 90° Elbow	0133580D
6" Coated 90° Elbow	0133660D
4" Aluminized Non Heat Treated 10' Tube	91409403
6" Aluminized Non Heat Treated 10' Tube	91409420
4" Coated 10' Tube	9141030D
6" Coated 10' Tube	9141060D
Aluminized Tube adapter (6" dia. x 4" dia.)	91418200
6" Tube Hangar	91240010
4" Drain Cap	02718851
6" Drain Cap	02718852
Condensate Trap	01327000