

# Adaptors



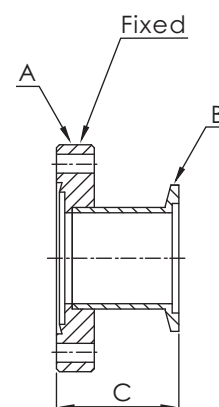
# Adaptors

## KF to CF FLANGE ADAPTORS

\*Material: SS 304L



Part Number	Flange Size	A	B	C
AD-KF10xCF133	KF10/CF1.33(DN16)	CF1.33	KF 10	44.50
AD-KF16xCF133	KF16/CF1.33(DN16)	CF1.33	KF 16	44.50
AD-KF16xCF275	KF16/CF2.75(DN40)	CF2.75	KF 16	45.20
AD-KF25xCF212	KF25/CF2.12(DN25)	CF2.12	KF 25	44.50
AD-KF25xCF275	KF25/CF2.75(DN40)	CF2.75	KF 25	45.20
AD-KF40xCF275	KF40/CF2.75(DN40)	CF2.75	KF 40	45.20
AD-KF40xCF338	KF40/CF3.38(DN50)	CF3.38	KF 40	45.70
AD-KF50xCF133	KF50/CF1.33(DN16)	CF1.33	KF 50	49.50
AD-KF50xCF275	KF50/CF2.75(DN40)	CF2.75	KF 50	49.50
AD-KF50xCF338	KF50/CF3.38(DN50)	CF3.38	KF 50	45.70
AD-KF50xCF450	KF50/CF4.50(DN63)	CF4.50	KF 50	49.50

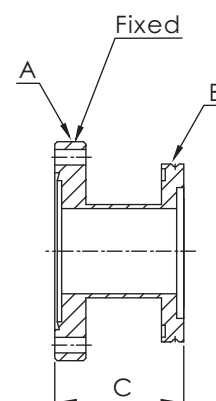


## ISO to CF FLANGE ADAPTORS

\*Material: SS 304L



Part Number	Flange Size	A	B	C
AD-ISO63xCF450	ISO63/CF4.50(DN63)	CF4.50	ISO63	110.00
AD-ISO80xCF462	ISO80/CF4.62(DN80)	CF4.62	ISO80	110.00
AD-ISO80xCF600	ISO80/CF6.00(DN100)	CF6.00	ISO80	110.00
AD-ISO100xCF600	ISO100/CF6.00(DN100)	CF6.00	ISO100	111.00
AD-ISO160xCF800	ISO160/CF8.00(DN160)	CF8.00	ISO160	113.00
AD-ISO200xCF1000	ISO200/CF10.00(DN200)	CF10.00	ISO200	113.00

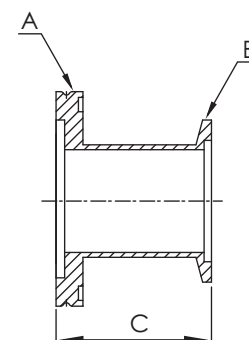


## ISO to KF FLANGE ADAPTORS

\*Material: SS 304L



Part Number	Flange Size	A	B	C
AD-ISO63xKF25	ISO63/KF25	ISO63	KF25	46.50
AD-ISO63xKF40	ISO63/KF40	ISO63	KF40	46.30
AD-ISO63xKF50	ISO63/KF50	ISO63	KF50	46.30
AD-ISO80xKF40	ISO80/KF40	ISO80	KF40	46.30
AD-ISO80xKF50	ISO80/KF50	ISO80	KF50	46.30
AD-ISO100xKF40	ISO100/KF40	ISO100	KF40	46.30
AD-ISO100xKF50	ISO100/KF50	ISO100	KF50	46.30



\*Note: SS 316L Material Available on Request.

\*Note: Polished and Electro- Polished Tube Finishes Available on Request.

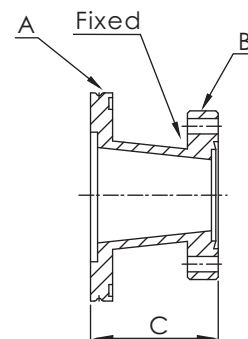
# Adaptors

## ISO to CF FLANGE CONICAL ADAPTORS

\*Material: SS 304L



Part Number	Flange Size	A	B	C
ADC-ISO63xCF275	ISO63/CF2.75(DN40)	ISO63	CF2.75	71.90
ADC-ISO63xCF338	ISO63/CF3.38(DN50)	ISO63	CF3.38	72.30
ADC-ISO63xCF462	ISO63/CF4.62(DN80)	ISO63	CF4.62	108.00
ADC-ISO63xCF600	ISO63/CF6.00(DN100)	ISO63	CF6.00	109.50
ADC-ISO80xCF275	ISO80/CF2.75(DN40)	ISO80	CF2.75	103.70
ADC-ISO80xCF338	ISO80/CF3.38(DN50)	ISO80	CF3.38	104.10
ADC-ISO80xCF450	ISO80/CF4.50(DN63)	ISO80	CF4.50	107.90
ADC-ISO80xCF600	ISO80/CF6.00(DN100)	ISO80	CF6.00	109.50
ADC-ISO100xCF338	ISO100/CF3.38(DN50)	ISO100	CF3.38	104.10
ADC-ISO100xCF450	ISO100/CF4.50(DN63)	ISO100	CF4.50	107.90
ADC-ISO100xCF462	ISO100/CF4.62(DN80)	ISO100	CF4.62	108.00



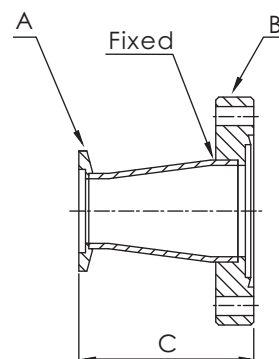
AD

## KF to CF FLANGE CONICAL ADAPTORS

\*Material: SS 304L



Part Number	Flange Size	A	B	C
ADC-KF16XCF212	KF16/CF2.12(DN25)	KF 16	CF2.12	42.90
ADC-KF16XCF275	KF16/CF2.75(DN40)	KF 16	CF2.75	69.30
ADC-KF25XCF133	KF25/CF1.33(DN16)	KF 25	CF1.33	43.15
ADC-KF25XCF275	KF25/CF2.75(DN40)	KF 25	CF2.75	69.30
ADC-KF25XCF338	KF25/CF3.38(DN50)	KF25	CF3.38	69.90
ADC-KF40XCF133	KF40/CF1.33(DN16)	KF 40	CF1.33	68.55
ADC-KF40XCF212	KF40/CF2.12(DN25)	KF 40	CF2.12	68.30
ADC-KF40XCF338	KF40/CF3.38(DN50)	KF 40	CF3.38	69.90
ADC-KF40XCF450	KF40/CF4.50(DN63)	KF 40	CF4.50	73.70
ADC-KF40XCF462	KF40/CF4.62(DN80)	KF 40	CF4.62	103.10
ADC-KF50XCF212	KF50/CF2.12(DN25)	KF 50	CF2.12	68.30
ADC-KF50XCF275	KF50/CF2.75(DN40)	KF 50	CF2.75	69.30
ADC-KF50XCF450	KF50/CF4.50(DN63)	KF 50	CF4.50	73.70
ADC-KF50XCF462	KF50/CF4.62(DN80)	KF 50	CF4.62	103.10
ADC-KF50XCF600	KF50/CF6.00(DN100)	KF 50	CF6.00	106.90



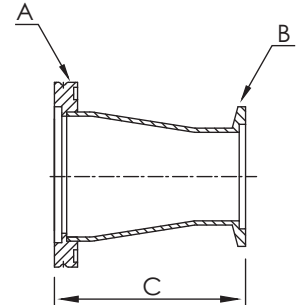
\*Note: SS 316L Material Available on Request.

\*Note: Polished and Electro- Polished Tube Finishes Available on Request.

# Adaptors

## ISO to KF FLANGE CONICAL ADAPTORS

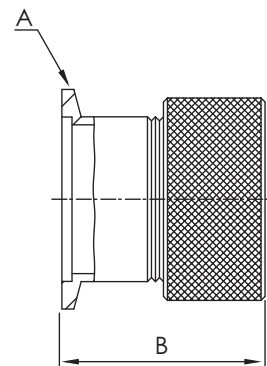
\*Material: SS 304L



Part Number	Flange Size	A	B	C
ADC-ISO63xKF40	ISO63/KF40	ISO63	KF40	70.40
ADC-ISO63xKF50	ISO63/KF50	ISO63	KF50	70.40
ADC-ISO80xKF40	ISO80/KF40	ISO80	KF40	102.20
ADC-ISO80xKF50	ISO80/KF50	ISO80	KF50	102.20
ADC-ISO100xKF50	ISO100/KF50	ISO100	KF50	102.20

## KF FLANGES to QUICK COUPLINGS with VITON O-RINGS

\*Material: SS 304L



Part Number	Size	Tube Size	A	B
AD-QC-KF10x050	KF10-½"	½"	KF10	38.10
AD-QC-KF16x025	KF16-¼"	¼"	KF16	35.60
AD-QC-KF16x050	KF16-½"	½"	KF16	38.10
AD-QC-KF16x075	KF16-¾"	¾"	KF16	45.70
AD-QC-KF25x050	KF25-½"	½"	KF25	38.10
AD-QC-KF25x062	KF25-⅝"	⅝"	KF25	43.20
AD-QC-KF25x075	KF25-¾"	¾"	KF25	45.70
AD-QC-KF25x100	KF25-1"	1"	KF25	50.80
AD-QC-KF25x112	KF25-1⅛"	1⅛"	KF25	50.80
AD-QC-KF40x050	KF40-½"	½"	KF40	37.60
AD-QC-KF40x075	KF40-¾"	¾"	KF40	45.70
AD-QC-KF40x100	KF40-1"	1"	KF40	50.80
AD-QC-KF40x112	KF40-1⅛"	1⅛"	KF40	50.80
AD-QC-KF40x125	KF40-1¼"	1¼"	KF40	50.80
AD-QC-KF40x138	KF40-1⅜"	1⅜"	KF40	53.30
AD-QC-KF40x150	KF40-1½"	1½"	KF40	61.00
AD-QC-KF50x050	KF50-½"	½"	KF50	38.10
AD-QC-KF50x075	KF50-¾"	¾"	KF50	45.70
AD-QC-KF50x100	KF50-1"	1"	KF50	50.80
AD-QC-KF50x112	KF50-1⅛"	1⅛"	KF50	50.80
AD-QC-KF50x150	KF50-1½"	1½"	KF50	61.00
AD-QC-KF50x200	KF50-2"	2"	KF50	61.00

AD

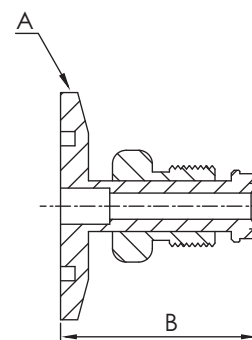
# Adaptors

## KF FLANGES to MALE VCRS

\* KF Flange Material: SS 304L  
 \* Gland Material: SS 316L



Part Number	Size	A	B
AD-VCRM-KF16x025	KF16x¼"	KF16	37.10
AD-VCRM-KF16x038	KF16x⅜"	KF16	41.90
AD-VCRM-KF16x050	KF16x½"	KF16	41.90
AD-VCRM-KF25x025	KF25x¼"	KF25	37.10
AD-VCRM-KF25x038	KF25x⅜"	KF25	41.90
AD-VCRM-KF25x050	KF25x½"	KF25	41.90
AD-VCRM-KF25x075	KF25x¾"	KF25	55.40
AD-VCRM-KF40x025	KF40x¼"	KF40	37.10
AD-VCRM-KF40x038	KF40x⅜"	KF40	41.90
AD-VCRM-KF40x050	KF40x½"	KF40	41.90
AD-VCRM-KF40x075	KF40x¾"	KF40	55.40
AD-VCRM-KF50x025	KF50x¼"	KF50	37.10
AD-VCRM-KF50x038	KF50x⅜"	KF50	41.90
AD-VCRM-KF50x050	KF50x½"	KF50	41.90
AD-VCRM-KF50x075	KF50x¾"	KF50	55.40



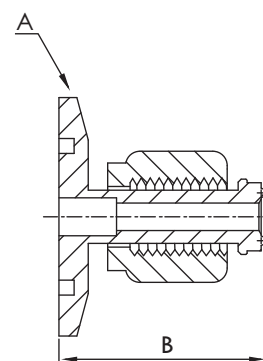
AD

## KF FLANGES to FEMALE VCRS

\* KF Flange Material: SS 304L  
 \* Gland Material: SS 316L



Part Number	Size	A	B
AD-VCRF-KF16x025	KF16-¼"	KF16	37.10
AD-VCRF-KF16x038	KF16-⅜"	KF16	41.90
AD-VCRF-KF16x050	KF16-½"	KF16	41.90
AD-VCRF-KF25x025	KF25-¼"	KF25	37.10
AD-VCRF-KF25x038	KF25-⅜"	KF25	41.90
AD-VCRF-KF25x050	KF25-½"	KF25	41.90
AD-VCRF-KF25x075	KF25-¾"	KF25	55.40
AD-VCRF-KF40x025	KF40-¼"	KF40	37.10
AD-VCRF-KF40x038	KF40-⅜"	KF40	41.90
AD-VCRF-KF40x050	KF40-½"	KF40	41.90
AD-VCRF-KF40x075	KF40-¾"	KF40	55.40
AD-VCRF-KF50x025	KF50-¼"	KF50	37.10
AD-VCRF-KF50x038	KF50-⅜"	KF50	41.90
AD-VCRF-KF50x050	KF50-½"	KF50	41.90
AD-VCRF-KF50x075	KF50-¾"	KF50	55.40

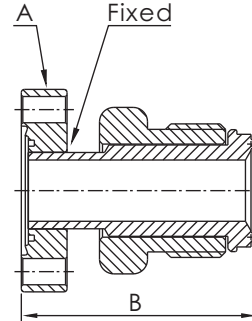
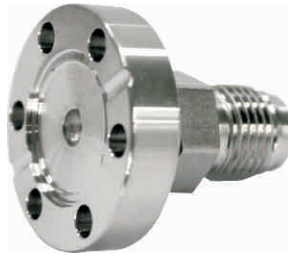


# Adaptors

## CF FLANGES to MALE VCRES

\* CF Flange Material: SS 304L

\* VCR Material: SS 316L

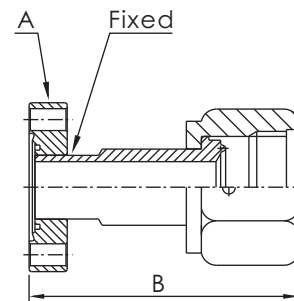


Part Number	Size	A	B
AD-VCRM-CF133x025	CF1.33"(DN16)x¼"	CF1.33	36.30
AD-VCRM-CF133x038	CF1.33"(DN16)x⅜"	CF1.33	39.27
AD-VCRM-CF133x050	CF1.33"(DN16)x½"	CF1.33	39.27
AD-VCRM-CF275x025	CF2.75"(DN40)x¼"	CF2.75	38.61
AD-VCRM-CF275x038	CF2.75"(DN40)x⅜"	CF2.75	43.41
AD-VCRM-CF275x050	CF2.75"(DN40)x½"	CF2.75	43.41

## CF FLANGES to FEMALE VCRES

\* CF Flange Material: SS 304L

\* VCR Material: SS 316L



Part Number	Size	A	B
AD-VCRF-CF133x025	CF1.33"(DN16)x¼"	CF1.33	36.30
AD-VCRF-CF133x038	CF1.33"(DN16)x⅜"	CF1.33	39.27
AD-VCRF-CF133x050	CF1.33"(DN16)x½"	CF1.33	39.27
AD-VCRF-CF275x025	CF2.75"(DN40)x¼"	CF2.75	38.61
AD-VCRF-CF275x038	CF2.75"(DN40)x⅜"	CF2.75	43.41
AD-VCRF-CF275x050	CF2.75"(DN40)x½"	CF2.75	43.41

AD

# Adaptors

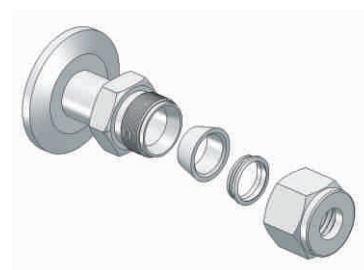
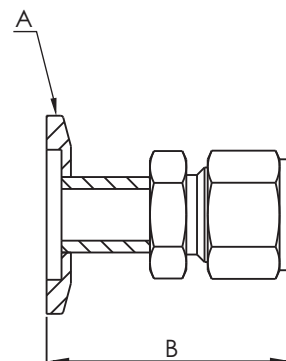
## KF FLANGES to TWO-FERRULE FITTINGS

\* KF Flange Material: SS 304L

\* Two-Ferrule Fitting Material: SS 316



Part Number	Size	A	B
AD-SWG-KF10x025	KF10-¼"	30.00	33.30
AD-SWG-KF16x025	KF16-¼"	30.00	39.40
AD-SWG-KF16x038	KF16-⅜"	30.00	41.40
AD-SWG-KF16x050	KF16-½"	30.00	50.00
AD-SWG-KF25x025	KF25-¼"	40.00	39.40
AD-SWG-KF25x038	KF25-⅜"	40.00	41.40
AD-SWG-KF25x050	KF25-½"	40.00	50.00
AD-SWG-KF25x075	KF25-¾"	40.00	52.80
AD-SWG-KF25x100	KF25-1"	40.00	65.70
AD-SWG-KF40x025	KF40-¼"	55.00	39.40
AD-SWG-KF40x038	KF40-⅜"	55.00	41.40
AD-SWG-KF40x050	KF40-½"	55.00	50.00
AD-SWG-KF40x075	KF40-¾"	55.00	52.80
AD-SWG-KF40x100	KF40-1"	55.00	65.70
AD-SWG-KF50x025	KF50-¼"	75.00	39.40
AD-SWG-KF50x038	KF50-⅜"	75.00	41.40
AD-SWG-KF50x050	KF50-½"	75.00	50.00
AD-SWG-KF50x075	KF50-¾"	75.00	52.80
AD-SWG-KF50x100	KF50-1"	75.00	65.70



AD

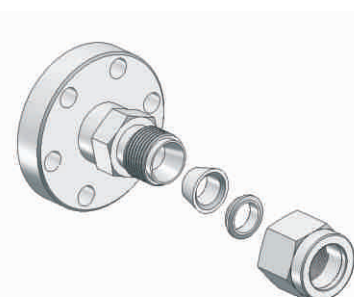
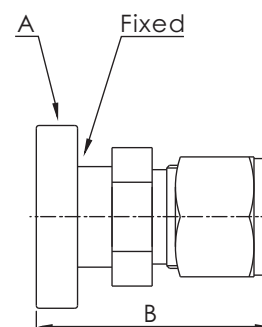
## CF FLANGES to TWO-FERRULE FITTINGS

\* CF Flange Material: SS 304L

\* Two-Ferrule Fitting Material: SS 316



Part Number	Size	A	B
AD-SWG-CF133x025	CF1.33"(DN16)-¼"	CF1.33	34.80
AD-SWG-CF133x038	CF1.33"(DN16)-⅜"	CF1.33	42.05
AD-SWG-CF133x050	CF1.33"(DN16)-½"	CF1.33	43.18
AD-SWG-CF275x025	CF2.75"(DN40)-¼"	CF2.75	38.81
AD-SWG-CF275x038	CF2.75"(DN40)-⅜"	CF2.75	42.91
AD-SWG-CF275x050	CF2.75"(DN40)-½"	CF2.75	46.41
AD-SWG-CF275x075	CF2.75"(DN40)-¾"	CF2.75	55.81
AD-SWG-CF275x100	CF2.75"(DN40)-1"	CF2.75	67.51



# Adaptors

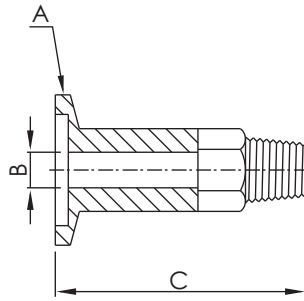


Figure 1

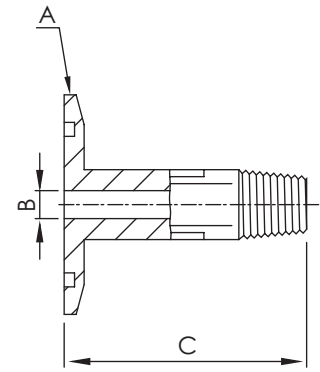


Figure 2

## KF FLANGES to MALE NPT ADAPTORS

\*Material: SS 304L

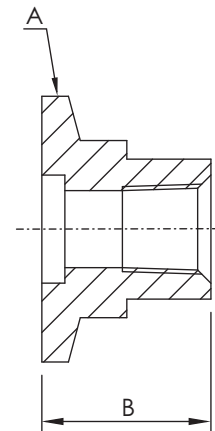
Part Number	Size	A	B	C	Figure
AD-NPTM-KF16x012	KF16-1/8" NPT	KF16	4.70	40.00	1
AD-NPTM-KF16x025	KF16-1/4" NPT	KF16	7.10	50.00	1
AD-NPTM-KF25x012	KF25-1/8" NPT	KF25	4.70	40.00	2
AD-NPTM-KF25x025	KF25-1/4" NPT	KF25	7.10	50.00	2
AD-NPTM-KF25x050	KF25-1/2" NPT	KF25	11.90	75.00	2
AD-NPTM-KF25x075	KF25-3/4" NPT	KF25	15.90	75.00	2
AD-NPTM-KF40x025	KF40-1/4" NPT	KF40	7.10	50.00	2
AD-NPTM-KF40x050	KF40-1/2" NPT	KF40	11.90	75.00	2
AD-NPTM-KF40x075	KF40-3/4" NPT	KF40	15.90	75.00	2
AD-NPTM-KF50x025	KF50-1/4" NPT	KF50	7.10	50.00	2
AD-NPTM-KF50x050	KF50-1/2" NPT	KF50	11.90	75.00	2
AD-NPTM-KF50x075	KF50-3/4" NPT	KF50	15.90	75.00	2

## KF FLANGES to FEMALE NPT ADAPTORS

\*Material: SS 304L



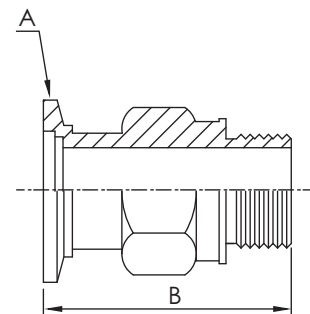
Part Number	Size	A	B
AD-NPTF-KF10x012	KF10-1/8" NPT	KF10	19.10
AD-NPTF-KF10x025	KF10-1/4" NPT	KF10	19.10
AD-NPTF-KF16x012	KF16-1/8" NPT	KF16	19.10
AD-NPTF-KF16x025	KF16-1/4" NPT	KF16	19.10
AD-NPTF-KF25x012	KF25-1/8" NPT	KF25	19.10
AD-NPTF-KF25x025	KF25-1/4" NPT	KF25	19.10
AD-NPTF-KF25x038	KF25-3/8" NPT	KF25	19.10
AD-NPTF-KF25x050	KF25-1/2" NPT	KF25	25.40
AD-NPTF-KF40x012	KF40-1/8" NPT	KF40	25.40
AD-NPTF-KF40x025	KF40-1/4" NPT	KF40	25.40
AD-NPTF-KF40x050	KF40-1/2" NPT	KF40	25.40
AD-NPTF-KF40x075	KF40-3/4" NPT	KF40	25.40
AD-NPTF-KF50x012	KF50-1/8" NPT	KF50	25.40
AD-NPTF-KF50x025	KF50-1/4" NPT	KF50	25.40
AD-NPTF-KF50x050	KF50-1/2" NPT	KF50	25.40
AD-NPTF-KF50x075	KF50-3/4" NPT	KF50	25.40



AD



# Adaptors

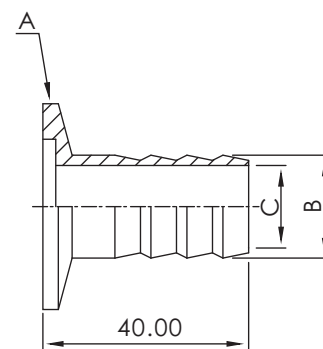


## KF FLANGES to WELCH PUMP ADAPTORS

\*Material: SS 304L

Part Number	Size	A	B
AD-WP-KF16x062	KF16-WP1	KF16	45.00
AD-WP-KF16x075	KF16-WP2	KF16	65.00
AD-WP-KF25x100	KF25-WP1	KF25	70.10
AD-WP-KF40x150	KF40-WP1	KF40	65.00
AD-WP-KF40x175	KF40-WP2	KF40	65.30

AD

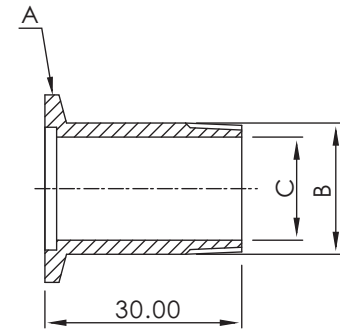


## KF FLANGES to HOSE NOZZLES

\*Material: SS 304L

Part Number	Size	A	B	C
AD-HS-KF10x008M	KF10-8mm	KF10	8.00	4.00
AD-HS-KF10x012M	KF10-12mm	KF10	12.00	8.00
AD-HS-KF16x008M	KF16-8mm	KF16	8.00	4.00
AD-HS-KF16x012M	KF16-12mm	KF16	12.00	8.00
AD-HS-KF25x008M	KF25-8mm	KF25	8.00	4.00
AD-HS-KF25x012M	KF25-12mm	KF25	12.00	8.00
AD-HS-KF25x016M	KF25-16mm	KF25	16.00	12.00
AD-HS-KF25x020M	KF25-20mm	KF25	20.00	16.00
AD-HS-KF40x012M	KF40-12mm	KF40	12.00	8.00
AD-HS-KF40x016M	KF40-16mm	KF40	16.00	12.00
AD-HS-KF40x020M	KF40-20mm	KF40	20.00	16.00
AD-HS-KF40x025M	KF40-25mm	KF40	25.00	20.00
AD-HS-KF50x025M	KF50-25mm	KF50	25.00	20.00

# Adaptors



## DN FLANGES to BSPT ADAPTORS

\*Material: SS 304L

Part Number	Size	A	B	C	BSPT
AD-BSPT-DN10x025	DN10- $\frac{1}{4}$ "	DN10	13.16	9.00	$\frac{1}{4}$ "x19BSPT
AD-BSPT-DN10x038	DN10- $\frac{3}{8}$ "	DN10	16.66	10.00	$\frac{3}{8}$ "x19BSPT
AD-BSPT-DN16x050	DN16- $\frac{1}{2}$ "	DN16	20.96	16.00	$\frac{1}{2}$ "x14BSPT
AD-BSPT-DN25x038	DN25- $\frac{3}{8}$ "	DN25	16.66	10.00	$\frac{3}{8}$ "x19BSPT
AD-BSPT-DN25x075	DN25- $\frac{3}{4}$ "	DN25	26.44	20.00	$\frac{3}{4}$ "x14BSPT
AD-BSPT-DN25x100	DN25-1"	DN25	33.25	24.00	1"x11BSPT
AD-BSPT-DN40x125	DN40-1 $\frac{1}{4}$ "	DN40	41.91	35.00	1 $\frac{1}{4}$ "x11BSPT
AD-BSPT-DN40x150	DN40-1 $\frac{1}{2}$ "	DN40	47.80	41.00	1 $\frac{1}{2}$ "x11BSPT
AD-BSPT-DN50x200	DN50-2"	DN50	59.61	51.00	2"x11BSPT

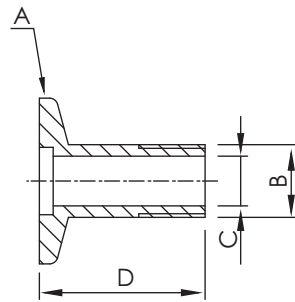


Figure 1

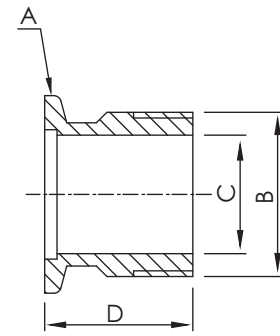


Figure 2

## DN FLANGES to BSP ADAPTORS

\*Material: SS 304L

Part Number	Size	Figure	A	B	C	D	BSP
AD-BSP-DN10x025	DN10- $\frac{1}{4}$ "	1	DN10	13.16	9.00	30.00	$\frac{1}{4}$ "x19BSP
AD-BSP-DN10x038	DN10- $\frac{3}{8}$ "	1	DN10	16.66	10.00	30.00	$\frac{3}{8}$ "x19BSP
AD-BSP-DN16x025	DN16- $\frac{1}{4}$ "	1	DN16	13.16	9.00	30.00	$\frac{1}{4}$ "x19BSP
AD-BSP-DN16x050	DN16- $\frac{1}{2}$ "	1	DN16	20.96	16.00	30.00	$\frac{1}{2}$ "x14BSP
AD-BSP-DN25x050	DN25- $\frac{1}{2}$ "	1	DN25	20.96	16.00	30.00	$\frac{1}{2}$ "x14BSP
AD-BSP-DN25x075	DN25- $\frac{3}{4}$ "	1	DN25	26.44	20.00	30.00	$\frac{3}{4}$ "x14BSP
AD-BSP-DN25x100	DN25-1"	2	DN25	33.25	24.00	30.00	1"x11BSP
AD-BSP-DN40x025	DN40- $\frac{1}{4}$ "	1	DN40	13.16	9.00	30.00	$\frac{1}{4}$ "x19BSP
AD-BSP-DN40x050	DN40- $\frac{1}{2}$ "	1	DN40	20.96	16.00	30.00	$\frac{1}{2}$ "x14BSP
AD-BSP-DN40x125	DN40-1 $\frac{1}{4}$ "	1	DN40	41.91	35.00	30.00	1 $\frac{1}{4}$ "x11BSP
AD-BSP-DN40x150	DN40-1 $\frac{1}{2}$ "	2	DN40	47.80	41.00	30.00	1 $\frac{1}{2}$ "x11BSP
AD-BSP-DN50x200	DN50-2"	1	DN50	59.61	51.00	35.00	2"x11BSP