

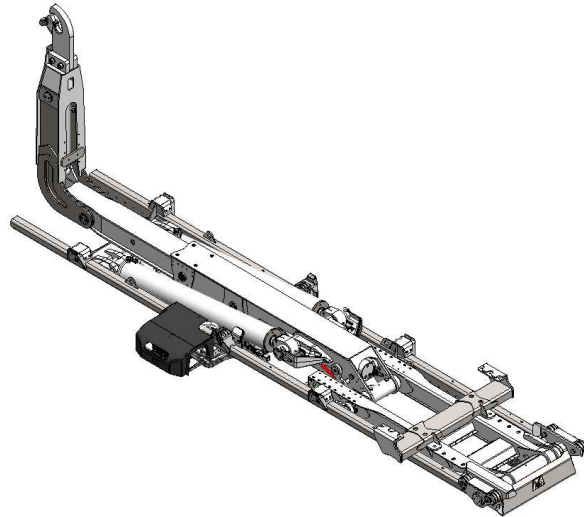
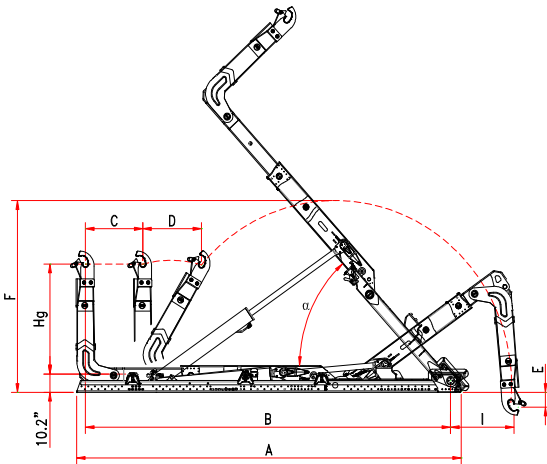


b.o.b. Sistemi Idraulici S.p.A.

unilift®

COMPANY WITH
QUALITY SYSTEM
CERTIFIED BY DNV GL
= ISO 9001 =

HOOGLIFT « TA 57.000 »



MODEL	SPECIAL LENGHT		STANDARD LENGHT		SPECIAL LENGHT
	TA 57.000 C	TA 57.000 NC	TA 57.000 N	TA 57.000 NL	TA 57.000 L
Hg	53,88"/61,75" (1.369/1.569 mm)	53,88"/61,75" (1.369/1.569 mm)	53,88"/61,75" (1.369/1.569 mm)	53,88"/61,75" (1.369/1.569 mm)	53,88"/61,75" (1.369/1.569 mm)
A	200,78" (5.100 mm)	208,66" (5.300 mm)	216,53" (5.500 mm)	224,4" (5.700 mm)	232,28" (5.900 mm)
B	188,97" (4.800 mm)	196,85" (5.000 mm)	204,72" (5.200 mm)	212,59" (5.400 mm)	220,47" (5.600 mm)
C	25,59" (650 mm)	33,46" (850 mm)	33,46" (850 mm)	33,46" (850 mm)	33,46" (850 mm)
D	33,46" (850 mm)	33,46" (850 mm)	33,46" (850 mm)	33,46" (850 mm)	33,46" (850 mm)
E	7,87" (200 mm)	7,87" (200 mm)	7,87" (200 mm)	7,87" (200 mm)	7,87" (200 mm)
F	106,29" (2.700 mm)	106,29" (2.700 mm)	106,29" (2.700 mm)	106,29" (2.700 mm)	106,29" (2.700 mm)
I	52,75" (1.340 mm)	52,75" (1.340 mm)	44,88" (1.140 mm)	37" (940 mm)	29,13" (740 mm)
Weight*	6.000 lb (2.730 Kg)	6.000 lb (2.730 Kg)	6.090 lb (2.770 Kg)	6.180 lb (2.810 Kg)	6.270 lb (2.850 Kg)
alpha	55°	55°	52°	49°	46°
Container min. max.	12' - 18' (3.660 - 5.480 mm)	12' - 19' (3.660 - 5.790 mm)	13' - 20' (3.960 - 6.100 mm)	14' - 20' (4.260 - 6.100 mm)	15' - 21' (4.570 - 6.400 mm)
LIFTING CAPACITY	57.000 lb (25.910 Kg)	57.000 lb (25.910 Kg)	57.000 lb (25.910 Kg)	57.000 lb (25.910 Kg)	57.000 lb (25.910 Kg)
TIPPING CAPACITY	57.000 lb (25.910 Kg)	57.000 lb (25.910 Kg)	57.000 lb (25.910 Kg)	57.000 lb (25.910 Kg)	57.000 lb (25.910 Kg)

*Weight: basic hooklift weight without kit and options

The technical details shown in this sheet are indicative and can be changed by the builder without prior notice

B.O.B. Sistemi Idraulici S.p.A. – Regione Oltre Rea, 32 – 12060 Monchiero (CN) - Italia

P. I.V.A. 00496180043 - Tel.: +39 (0173) 780002/3 – Fax: +39 (0173) 780004

Internet: www.bobspa.com - E-mail: info@bobspa.com



b.o.b. Sistemi Idraulici S.p.A.

unilift®

COMPANY WITH
QUALITY SYSTEM
CERTIFIED BY DNV GL
= ISO 9001 =



FEATURES

Lifting capacity: 57.000 lb
Max. operating pressure 30 MPa (sealed relief valve)
Recommended max oil flow 90 l/min
With flow control SDS 150 Walvoil
Operating times: with 80 l/min pump
Tipping time: 50 sec
Loading time: 48 sec
Free tunnel height: 4,7" (120 mm)

SECURITIES

Bolted hook with mechanical security
Mechanical tipping security (counter-hooks) with mechanical self tipping system
Hydraulic tipping interlock security on telescopic and articulated arm
Mechanical external locking

KIT ENDOWMENT

BOBEASY cab controls
Ground manual flow control levers
Oil tank capacity: front 110 l / lateral 160 l
Adhesive stickers and labels

DOCUMENTS

Mounting instruction manual and spare parts
Warranty forms
CE certification

OPTIONS

Flow control SDS 180 for 130 l/min flow coupled to bent axis piston pump cap 108 l/min
Tipping: 38 sec
Loading time: 36 sec
Additional flow control element (for stabilizer /hydraulic locking)
Heavy duty rear foldable / vertical stabilizer
Pneumatic hook security
Radio control BOBEASY
Tilting rear rollers
Hook with mechanical/hydraulic adjustable level

The technical details shown in this sheet are indicative and can be changed by the builder without prior notice

B.O.B. Sistemi Idraulici S.p.A. – Regione Oltre Rea, 32 – 12060 Monchiero (CN) - Italia
P. I.V.A. 00496180043 - Tel.: +39 (0173) 780002/3 – Fax: +39 (0173) 780004
Internet: www.bobspa.com - E-mail: info@bobspa.com