



Prices effective July 5, 2023

Published March 2024

Nevi™ Sit-to-Stand Tables

HermanMiller list prices shown are in USD. For HermanMiller Canadian prices, multiply the USD list price by a factor of 1.20---effective July 2023.

Introduction	page 2
Nevi™ Sit-to-Stand Tables	3
Adjustable Height Tables	5
Sit-to-Stand Table Bases	13
Ambit™ Storage	15
Power and Data Support	17
Screens	22
Ambit™ Shroud	52
Indices	59
By Name	59
By Number	61
Appendices	
20-Day or Less/Assigned Lead-Time Order Information	
For the latest materials information, refer to the Materials pages on HermanMiller.com.	

Introduction

A Note on the Organization of This Book

There are a few signals that will help you understand the organization of this book. Once you know them, you should be able to find your way around easily.

Like a newspaper, this book is formatted with columns of text and illustrations that run vertically.

Information wraps from one column to the next and continues for as many pages as it needs to.

Black bars are clues.

A black bar at the top of a page signals the start of information about a product.

This information is divided into two sections, each signaled by a black bar. Product Information includes a description, additional notes, and dimensional drawings. Specification Information, which always begins at the top of a column, includes a series of steps. Each step represents a decision you need to make in order to complete your product number. Steps must be followed sequentially. The number of pages needed to complete information on a product varies; some will be complete in one page; others may fill three or four pages. Just continue going through the steps until you run into the next product, signaled by the black bar at the top of the page.

Black tabs running along the outside edge of the page help you locate what section you are in or what section you want to go to. You can thumb forwards or backwards to find a section; tabs and text appear on both sides of the page.

The additional pages in the back of the book include the appendices and indices. They are signaled by a long black bar running along the outside edge of the page.

The index is presented two ways.

The first index is in alphabetical order by product name. It can be helpful if you are new to the products and numbering scheme or if you are looking for a type of product, such as work chair or round table.

The second index is by product number. It lists, in alphanumeric order, the base product number, typically a five-digit number.

General Information

This book is effective July 5, 2023, subject to change without notice. Products may be purchased from authorized Herman Miller dealers who will quote prices upon request. For more information about our products and services or to see a list of dealers, visit www.HermanMiller.com.


All prices are list prices. Additional services, such as planning services, design, storage, and installation, are not included and must be added to these prices when the additional services are requested.


Illustrations, specifications, and prices are based on the latest information at the time of publication. The right is reserved to make changes at any time without notice in prices, fabrics, finishes, materials, specifications, and models, and also to discontinue models and finishes.

Dimensions shown in the drawings are engineering drawing dimensions rounded up to the nearest $\frac{1}{8}$ ". Product is shipped set up or knocked down. Products that include "Shipped knocked down" in the description require some assembly. If this statement does not appear in the description, the product is shipped assembled.

Service problems are normally handled by a Herman Miller authorized dealer. Where this cannot be accomplished on a local level, service problems should be referred to the Customer Care Representative for your region, Herman Miller, Inc., Zeeland, Michigan 49464.

20-Day or Less/Assigned Lead-Time Shipments

All products and options in this price book not designated by an Assigned Program icon  will ship in **20 business days or less** after being acknowledged by Herman Miller.

Products and options designated by an  are on the assigned lead-time program and may ship in 20 days, less than 20 days, or more than 20 days from order acknowledgement.

Adjustable Height Tables

Sit-to-Stand Table Bases

Ambit™ Storage

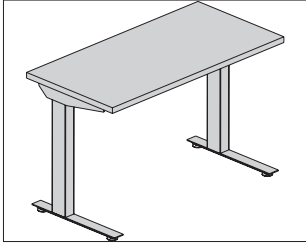
Power and Data Support

Screens

Ambit™ Shroud

Rectangle Table with C-Foot

DW6ACS



Product Information

Description

This rectangular height-adjustable table has a C-leg configuration and laminate top with square thermoplastic edge or a laminate top with a thermoplastic backed plywood edge. It comes with a simple up/down switch for height adjustment. Glides have 1/2" leveling range. Shipped knocked down. Product is UL Listed.

Notes

Sizes listed for table depth and width are nominal. Depth of surface is reduced 1" for cord management. Width of surface is reduced 2" to minimize possible pinch point hazards.

Legs are nearly flush with sides of the surface for maximum knee clearance.

Table cross beam acts as the stiffener and provides a small cavity for cable management.

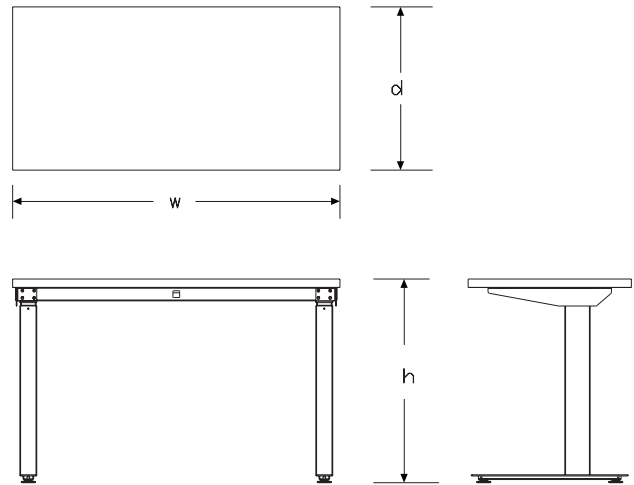
Tables 48"-60" wide do not need a cross beam; tables 66" wide and 72" wide require a cross beam.

Floor to top-of-surface height adjustment range is 28 1/2"-47 3/8" for the electric standard range (E) option, and 22 1/2"-48 1/2" for the electric extended range (D) option.

MicrobeCare™ is an antimicrobial coating that can be applied to a wide variety of Herman Miller Group surfaces to protect products from mold, mildew, algae, and bacteria that cause deterioration, discoloration, odors, and stains.

MicrobeCare™ is a US Environmental Protection Agency (EPA) registered nonpublic health antimicrobial.

Dimensions



Nevi™ Adjustable Height Tables

Rectangle Table with C-Foot

continued

Nevi™ Adjustable Height Tables

Specification Information

Step 1.

DW6AC

Step 2. Edge

S. squared-edge

Step 3. Depth

24 24" deep (23" surface size)

30 30" deep (29" surface size)

Step 4. Width

48 48" wide (46" surface size)

54 54" wide (52" surface size) A

60 60" wide (58" surface size)

66 66" wide (64" surface size) A

72 72" wide (70" surface size)

Step 5. Surface Material

L high-pressure laminate top/thermoplastic edge

U high-pressure laminate/universal edge A

A high-pressure laminate top/thermoplastic edge with MicrobeCare™ A

C high-pressure laminate top/universal edge with MicrobeCare™ A

Step 6. Mechanism

For 24" deep (23" surface size) (24)

E electric standard range

D electric extended range

For 30" deep (29" surface size) (30)

E electric standard range

D electric extended range

Step 7. Cross Beam

For 48" wide (46" surface size) (48), 54" wide (52" surface size) (54), or 60" wide (58" surface size) (60) with electric standard range (E)

NB independent legs

WB legs with cross beam

For 66" wide (64" surface size) (66) or 72" wide (70" surface size) (72) with electric standard range (E)

WB legs with cross beam

For 48" wide (46" surface size) (48), 54" wide (52" surface size) (54), 60" wide (58" surface size) (60), 66" wide (64" surface size) (66), or 72" wide (70" surface size) (72) with electric extended range (D)

WB legs with cross beam

Prices for Steps 1-7.

	LENB	LEWB	LDWB	UENB	UEWB	UDWB
DW6ACS. 24 48	\$1931	2017	2211	1931	2017	2211
54	\$2003	2089	2271	2003	2089	2271
60	\$2047	2131	2315	2047	2131	2315
66	—	\$2191	2369	—	2191	2369
72	—	\$2252	2422	—	2252	2422
30 48	\$2016	2099	2281	2016	2099	2281
54	\$2099	2180	2361	2099	2180	2361
60	\$2145	2229	2408	2145	2229	2408
66	—	\$2312	2479	—	2304	2479
72	—	\$2377	2550	—	2377	2550

	AENB	AEWB	ADWB	CENB	CEWB	CDWB
DW6ACS. 24 48	\$2032	2118	2312	1991	2075	2265
54	\$2106	2191	2373	2064	2147	2325
60	\$2148	2235	2415	2105	2190	2366
66	—	\$2293	2469	—	2247	2419
72	—	\$2353	2523	—	2306	2472
30 48	\$2116	2199	2384	2073	2155	2336
54	\$2199	2280	2460	2155	2234	2410
60	\$2245	2329	2509	2200	2282	2458
66	—	\$2412	2578	—	2357	2526
72	—	\$2476	2650	—	2426	2597

Step 8. Switch Option

STS simple up/down touch switch +\$0

Rectangle Table with C-Foot

continued

Step 9. Top Finish

8Q	folkstone grey <input type="checkbox"/>	+\$0
91	white	+\$0
98	studio white	+\$0
CL	cool grey neutral	+\$0
HF	inner tone light <input type="checkbox"/>	+\$0
HM	natural maple <input type="checkbox"/>	+\$0
HP	light anigre <input type="checkbox"/>	+\$0
HX	aged cherry <input type="checkbox"/>	+\$0
LBA	clear on ash	+\$0
LBB	oak on ash <input type="checkbox"/>	+\$0
LBC	walnut on ash <input type="checkbox"/>	+\$0
LBF	neutral twill <input type="checkbox"/>	+\$0
LBJ	graphite twill <input type="checkbox"/>	+\$0
LBQ	white twill <input type="checkbox"/>	+\$0
LBR	phantom ecru <input type="checkbox"/>	+\$0
LBS	phantom cocoa <input type="checkbox"/>	+\$0
LBU	medium matte walnut <input type="checkbox"/>	+\$0
LBV	warm grey teak <input type="checkbox"/>	+\$0
LT	light tone <input type="checkbox"/>	+\$0
LU	soft white <input type="checkbox"/>	+\$0
WL	sandstone <input type="checkbox"/>	+\$0
WN	warm grey neutral <input type="checkbox"/>	+\$0

Step 10. Edge Finish

For high-pressure laminate top/thermoplastic edge (L) or high-pressure laminate top/thermoplastic edge with MicrobeCare™ (A)

8Q	folkstone grey <input type="checkbox"/>	+\$0
91	white	+\$0
98	studio white	+\$0
BU	black umber <input type="checkbox"/>	+\$0
CL	cool grey neutral	+\$0
HF	inner tone light <input type="checkbox"/>	+\$0
HM	natural maple <input type="checkbox"/>	+\$0
HP	light anigre <input type="checkbox"/>	+\$0
HX	aged cherry <input type="checkbox"/>	+\$0
LBA	clear on ash	+\$0
LBB	oak on ash <input type="checkbox"/>	+\$0
LBC	walnut on ash <input type="checkbox"/>	+\$0
LBF	neutral twill <input type="checkbox"/>	+\$0
LBJ	graphite twill <input type="checkbox"/>	+\$0
LBQ	white twill <input type="checkbox"/>	+\$0
LBR	phantom ecru <input type="checkbox"/>	+\$0
LBS	phantom cocoa <input type="checkbox"/>	+\$0
LBU	medium matte walnut <input type="checkbox"/>	+\$0
LBV	warm grey teak <input type="checkbox"/>	+\$0
LU	soft white <input type="checkbox"/>	+\$0
WL	sandstone <input type="checkbox"/>	+\$0
WN	warm grey neutral <input type="checkbox"/>	+\$0

For high-pressure laminate/universal edge (U) or high-pressure laminate top/universal edge with MicrobeCare™ (C)

PLY	plywood edge <input type="checkbox"/>	+\$50
------------	---------------------------------------	-------

Step 11. Base Finish

Metallic Paint

CN	metallic champagne <input type="checkbox"/>	+\$0
MS	metallic silver	+\$0
SNA	satin aluminum	+\$30
SNB	satin bronze	+\$30
SNC	satin carbon	+\$30

Sand Texture Paint

BK	black <input type="checkbox"/>	+\$0
-----------	--------------------------------	------

Rectangle Table with C-Foot

continued

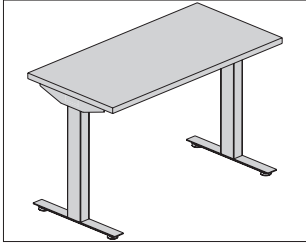
Nevi™ Adjustable Height Tables

Smooth Paint		
8Q	folkstone grey <input type="checkbox"/> A	+\$0
91	white <input type="checkbox"/> A	+\$0
98	studio white <input type="checkbox"/> A	+\$0
G2	graphite satin <input type="checkbox"/> A	+\$0
WL	sandstone <input type="checkbox"/> A	+\$0
WN	warm grey neutral <input type="checkbox"/> A	+\$0

Step 12. Glides		
57	glides	+\$0

Rectangle Table with T-Foot

DW6ATS



Product Information

Description

This rectangular height-adjustable table has a T-leg configuration and laminate top with square thermoplastic edge or a laminate top with a thermoplastic backed plywood edge. It comes with a simple up/down switch for height adjustment. Glides have 1/2" leveling range. Shipped knocked down. Product is UL Listed.

Notes

Sizes listed for table depth and width are nominal. Depth of surface is reduced 1" for cord management. Width of surface is reduced 2" to minimize possible pinch point hazards.

Legs are nearly flush with sides of the surface for maximum knee clearance.

Table cross beam acts as the stiffener and provides a small cavity for cable management.

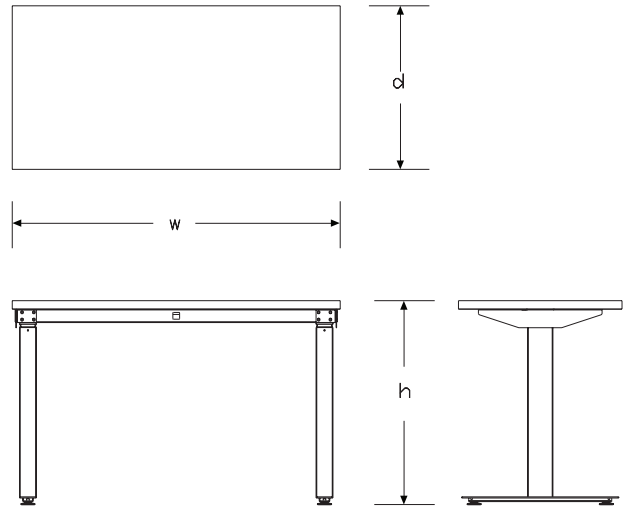
Tables 48"-60" wide do not need a cross beam; tables 66" wide and 72" wide require a cross beam.

Floor to top-of-surface height adjustment range is 28 1/2"-47 3/8" for the electric standard range (E) option, and 22 1/2"-48 1/2" for the electric extended range (D) option.

MicrobeCare™ is an antimicrobial coating that can be applied to a wide variety of Herman Miller Group surfaces to protect products from mold, mildew, algae, and bacteria that cause deterioration, discoloration, odors, and stains.

MicrobeCare™ is a US Environmental Protection Agency (EPA) registered nonpublic health antimicrobial.

Dimensions



NeVi™ Adjustable Height Tables

Rectangle Table with T-Foot

continued

Specification Information

Step 1.

DW6AT

Step 2. Edge

S. squared-edge

Step 3. Depth

24 24" deep (23" surface size)

30 30" deep (29" surface size)

Step 4. Width

48 48" wide (46" surface size)

54 54" wide (52" surface size) A

60 60" wide (58" surface size)

66 66" wide (64" surface size) A

72 72" wide (70" surface size)

Step 5. Surface Material

A high-pressure laminate top/thermoplastic edge with MicrobeCare™ A

C high-pressure laminate top/universal edge with MicrobeCare™ A

L high-pressure laminate top/thermoplastic edge

U high-pressure laminate/universal edge A

J thermally-fused laminate top/thermoplastic edge with MicrobeCare™ A

K thermally-fused laminate top/universal edge with MicrobeCare™ A

M thermally-fused laminate top/thermoplastic edge

T thermally-fused laminate top/universal edge A

Step 6. Mechanism

For 24" deep (23" surface size) (24)

E electric standard range

D electric extended range A

For 30" deep (29" surface size) (30)

E electric standard range

D electric extended range A

Step 7. Cross Beam

For 48" wide (46" surface size) (48), 54" wide (52" surface size) (54), or 60" wide (58" surface size) (60) with electric standard range (E)

NB independent legs

WB legs with cross beam A

For 66" wide (64" surface size) (66) or 72" wide (70" surface size) (72) with electric standard range (E)

WB legs with cross beam

For 48" wide (46" surface size) (48), 54" wide (52" surface size) (54), 60" wide (58" surface size) (60), 66" wide (64" surface size) (66), or 72" wide (70" surface size) (72) with electric extended range (D)

WB legs with cross beam A

Prices for Steps 1-7.

		AENB	AEWB	ADWB	CENB	CEWB	CDWB
DW6ATS.	24 48	\$2032	2118	2312	2032	2118	2312
	54	\$2106	2191	2373	2106	2191	2373
	60	\$2148	2235	2415	2148	2235	2415
	66	—	\$2293	2469	—	2293	2469
	72	—	\$2353	2523	—	2353	2523
30 48	48	\$2116	2199	2384	2116	2199	2384
	54	\$2199	2280	2460	2199	2280	2460
	60	\$2245	2329	2509	2245	2329	2509
	66	—	\$2412	2578	—	2405	2578
	72	—	\$2476	2650	—	2476	2650
		LENB	LEWB	LDWB	UENB	UEWB	UDWB
DW6ATS.	24 48	\$1931	2017	2211	1931	2017	2211
	54	\$2003	2089	2271	2003	2089	2271
	60	\$2047	2131	2315	2047	2131	2315
	66	—	\$2191	2369	—	2191	2369
	72	—	\$2252	2422	—	2252	2422
30 48	48	\$2016	2099	2281	2016	2099	2281
	54	\$2099	2180	2361	2099	2180	2361
	60	\$2145	2229	2408	2145	2229	2408
	66	—	\$2312	2479	—	2304	2479
	72	—	\$2377	2550	—	2377	2550
		JENB	JEWB	JDWB	KENB	KEWB	KDWB
DW6ATS.	24 48	\$1908	1990	2172	1908	1990	2172
	54	\$1979	2058	2229	1979	2058	2229
	60	\$2018	2099	2268	2018	2099	2268
	66	—	\$2154	2319	—	2154	2319
	72	—	\$2211	2370	—	2211	2370

Rectangle Table with T-Foot

continued

30 48	\$1987	2066	2239	1987	2066	2239
54	\$2066	2141	2310	2066	2141	2310
60	\$2109	2187	2357	2109	2187	2357
66	—	\$2264	2422	—	2259	2422
72	—	\$2326	2489	—	2326	2489
	MENB	MEWB	MDWB	TENB	TEWB	TDWB
DW6ATS. 24 48	\$1814	1894	2076	1814	1894	2076
54	\$1883	1962	2133	1883	1962	2133
60	\$1922	2003	2174	1922	2003	2174
66	—	\$2058	2225	—	2058	2225
72	—	\$2116	2275	—	2116	2275
30 48	\$1892	1971	2142	1892	1971	2142
54	\$1971	2048	2217	1971	2048	2217
60	\$2014	2094	2261	2014	2094	2261
66	—	\$2171	2328	—	2164	2328
72	—	\$2233	2394	—	2233	2394

Step 8. Switch Option

STS	simple up/down touch switch	+\$0
------------	-----------------------------	------

Step 9. Top Finish

For high-pressure laminate top/thermoplastic edge with MicrobeCare™ (A), high-pressure laminate top/universal edge with MicrobeCare™ (C), high-pressure laminate top/thermoplastic edge (L), or high-pressure laminate/universal edge (U)

8Q	folkstone grey <input type="checkbox"/>	+\$0
91	white	+\$0
98	studio white <input type="checkbox"/>	+\$0
CL	cool grey neutral <input type="checkbox"/>	+\$0
HF	inner tone light <input type="checkbox"/>	+\$0
HM	natural maple <input type="checkbox"/>	+\$0
HP	light anigre <input type="checkbox"/>	+\$0
HX	aged cherry <input type="checkbox"/>	+\$0
LBA	clear on ash <input type="checkbox"/>	+\$0
LBB	oak on ash <input type="checkbox"/>	+\$0
LBC	walnut on ash <input type="checkbox"/>	+\$0
LBF	neutral twill <input type="checkbox"/>	+\$0
LBJ	graphite twill <input type="checkbox"/>	+\$0
LBQ	white twill <input type="checkbox"/>	+\$0
LBR	phantom ecru <input type="checkbox"/>	+\$0
LBS	phantom cocoa <input type="checkbox"/>	+\$0
LBU	medium matte walnut <input type="checkbox"/>	+\$0
LBV	warm grey teak <input type="checkbox"/>	+\$0
LT	light tone <input type="checkbox"/>	+\$0
LU	soft white <input type="checkbox"/>	+\$0
WL	sandstone <input type="checkbox"/>	+\$0
WN	warm grey neutral <input type="checkbox"/>	+\$0

For thermally-fused laminate top/thermoplastic edge with MicrobeCare™ (J), thermally-fused laminate top/universal edge with MicrobeCare™ (K), thermally-fused laminate top/thermoplastic edge (M), or thermally-fused laminate top/universal edge (T)

8Q	folkstone grey	+\$0
91	white	+\$0
98	studio white	+\$0
HM	natural maple	+\$0
LBA	clear on ash	+\$0
LBB	oak on ash	+\$0
LBC	walnut on ash	+\$0
LBF	neutral twill	+\$0
LBQ	white twill	+\$0
LBU	medium matte walnut	+\$0

Rectangle Table with T-Foot

continued

Nevi™ Adjustable Height Tables

Step 10. Edge Finish

For high-pressure laminate top/thermoplastic edge with MicrobeCare™ (A), high-pressure laminate top/thermoplastic edge (L), thermally-fused laminate top/thermoplastic edge with MicrobeCare™ (I), or thermally-fused laminate top/thermoplastic edge (M)

8Q	folkstone grey <input type="checkbox"/>	+\$0
91	white	+\$0
98	studio white <input type="checkbox"/>	+\$0
BU	black umber <input type="checkbox"/>	+\$0
CL	cool grey neutral <input type="checkbox"/>	+\$0
HF	inner tone light <input type="checkbox"/>	+\$0
HM	natural maple <input type="checkbox"/>	+\$0
HP	light anigre <input type="checkbox"/>	+\$0
HX	aged cherry <input type="checkbox"/>	+\$0
LBA	clear on ash <input type="checkbox"/>	+\$0
LBB	oak on ash <input type="checkbox"/>	+\$0
LBC	walnut on ash <input type="checkbox"/>	+\$0
LBF	neutral twill <input type="checkbox"/>	+\$0
LBJ	graphite twill <input type="checkbox"/>	+\$0
LBQ	white twill <input type="checkbox"/>	+\$0
LBR	phantom ecru <input type="checkbox"/>	+\$0
LBS	phantom cocoa <input type="checkbox"/>	+\$0
LBU	medium matte walnut <input type="checkbox"/>	+\$0
LBV	warm grey teak <input type="checkbox"/>	+\$0
LU	soft white <input type="checkbox"/>	+\$0
WL	sandstone <input type="checkbox"/>	+\$0
WN	warm grey neutral <input type="checkbox"/>	+\$0

For high-pressure laminate top/universal edge with MicrobeCare™ (C), high-pressure laminate/universal edge (U), thermally-fused laminate top/universal edge with MicrobeCare™ (K), or thermally-fused laminate top/universal edge (T)

PLY	plywood edge <input type="checkbox"/>	+\$50
------------	---------------------------------------	-------

Step 11. Base Finish

Metallic Paint

CN	metallic champagne <input type="checkbox"/>	+\$0
MS	metallic silver	+\$0
SNA	satin aluminum	+\$30
SNB	satin bronze	+\$30
SNC	satin carbon	+\$30

Sand Texture Paint

BK	black	+\$0
-----------	-------	------

Smooth Paint

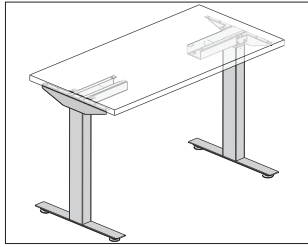
8Q	folkstone grey	+\$0
91	white <input type="checkbox"/>	+\$0
98	studio white <input type="checkbox"/>	+\$0
G2	graphite satin <input type="checkbox"/>	+\$0
WL	sandstone <input type="checkbox"/>	+\$0
WN	warm grey neutral <input type="checkbox"/>	+\$0

Step 12. Glides

57	glides	+\$0
-----------	--------	------

Table Base Kit - 2 Legs

DW7A.



Product Information

Description

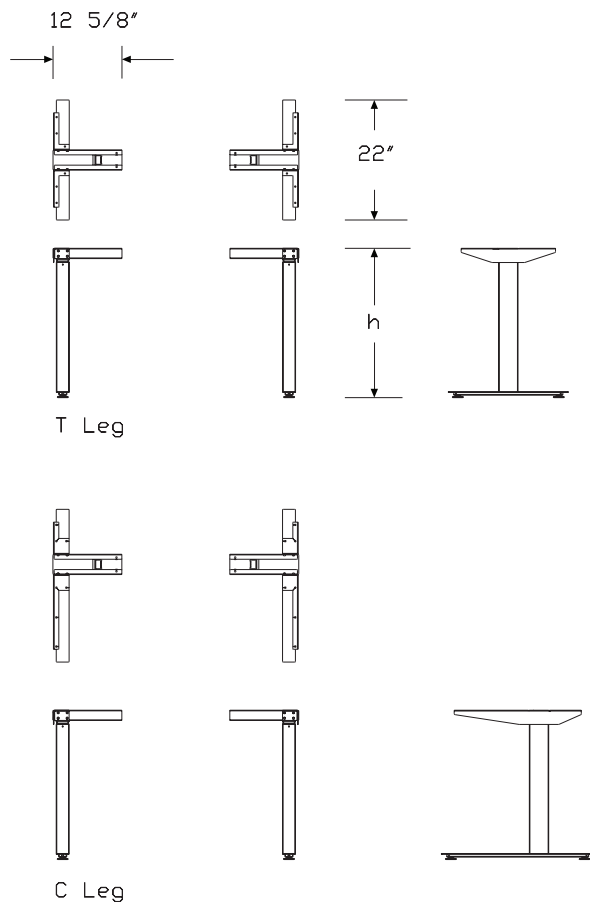
This independent 2-leg kit converts existing work surfaces into height adjustable tables. Legs come in 2 depths and multiple widths with a simple up/down touch switch. Glides have 1/2" of leveling range. Shipped knocked down. Product is UL Recognized.

Notes

Worksurface stiffener does not come with base kit. Order stiffener (FV696.) separately.

Height range of the electric standard range (E) option is 27 1/4"-46 1/8", and of the electric extended range (D) option is 22 1/2"-48 1/2". Range does not include thickness of worksurface.

Dimensions



Specification Information

Step 1.

DW7A.

Step 2. Depth

- 24** 24" deep (23" surface size)
- 30** 30" deep (29" surface size)

Step 3. Foot Type

- C** C foot
- T** T foot

Step 4. Mechanism

- E** electric standard range
- D** electric extended range

Prices for Steps 1-4.

	E	D
DW7A. 24 C	\$1532	1852
T	\$1532	1852
30 C	\$1564	1880
T	\$1564	1880

Step 5. Switch Option

- STS** simple up/down touch switch +\$0

Step 6. Base Finish

Metallic Paint

- CN** metallic champagne +\$0
- MS** metallic silver +\$0
- SNA** satin aluminum +\$30
- SNB** satin bronze +\$30
- SNC** satin carbon +\$30

Sand Texture Paint

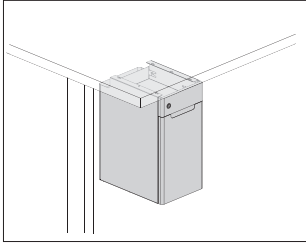
- BK** black +\$0

Smooth Paint

- 8Q** folkstone grey +\$0
- 91** white +\$0
- 98** studio white +\$0
- G2** graphite satin +\$0
- WL** sandstone +\$0
- WN** warm grey neutral +\$0

Table Base Kit - 2 Legs *continued*

Step 7. Glides		
57	glides	+\$0



Product Information

Description

This suspended storage is painted metal and comes in 3 configurations: small, large open, and large closed. Options include a lock, and handed door opening on the large closed unit.

Notes

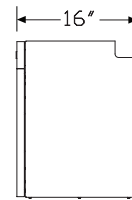
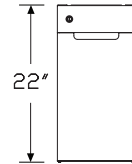
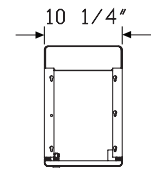
Suspended units must be mounted on inside of table leg.

Small and large open units are not handed. Lock is always on right side.

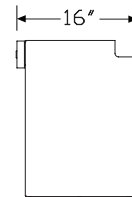
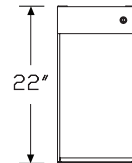
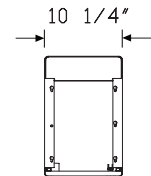
Suspended storage is designed to mount to the underside of 30°-deep, C-leg, standard range, height-adjustable tables.

See planning guide for additional information and for other height-adjustable table mounting capabilities.

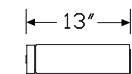
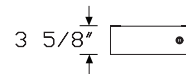
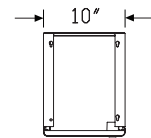
Dimensions



Large suspended storage



Open suspended storage



Small suspended storage

Ambit™ Suspended Storage

continued

Ambit™ Storage

Specification Information

Step 1.

IH200.

Step 2. Storage Type

C	large suspended storage, lock
K	small suspended storage, lock
L	large suspended storage, no lock
S	small suspended storage, no lock

Step 3. Configuration

For small suspended storage, lock (K) or small suspended storage, no lock (S)

S	standard
----------	----------

For large suspended storage, lock (C) or large suspended storage, no lock (L)

L	drawer, door hinged left
P	drawer, open
R	drawer, door hinged right

Step 4. Depth

For small suspended storage, lock (K) or small suspended storage, no lock (S)

13	13" deep
-----------	----------

For large suspended storage, lock (C) or large suspended storage, no lock (L)

16	16" deep
-----------	----------

Step 5. Width

For small suspended storage, lock (K) or small suspended storage, no lock (S)

10	10" wide
-----------	----------

For large suspended storage, lock (C) or large suspended storage, no lock (L)

10	10-1/4" wide
-----------	--------------

Step 6. Top Drawer Accessory

N	none
----------	------

Step 7. Bottom Accessory

N	none
----------	------

Prices for Steps 1-7.

	1310NN	1610NN
IH200. C L	—	\$1097
P	—	\$844
R	—	\$1097
K S	\$580	—
L L	—	\$1042
P	—	\$788
R	—	\$1042
S S	\$525	—

Step 8. Finish

CN	metallic champagne	+\$0
MS	metallic silver	+\$0
SNA	satin aluminum	+\$30
SNB	satin bronze	+\$30
SNC	satin carbon	+\$30
8Q	folkstone grey	+\$0
91	white	+\$0
98	studio white	+\$0
BK	black	+\$0
DB3	glacier	+\$20
DN2	nightfall	+\$20
DR1	canyon	+\$20
G1	graphite	+\$0
OLF	olive	+\$20
WL	sandstone	+\$0
WN	warm grey neutral	+\$0

Step 9. Door Pull Finish

For drawer, door hinged left (L) or drawer, door hinged right (R)

8Q	folkstone grey	+\$0
98	studio white	+\$0
BK	black	+\$0
UBK	ultra black	+\$0

Step 10. Lock

For large suspended storage, lock (C) or small suspended storage, lock (K)

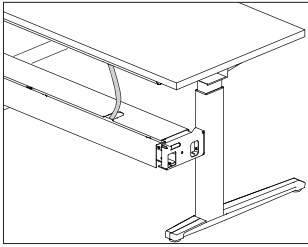
KA	keyed alike	+\$0
KC	keyed differently, chrome	+\$0
KD	keyed differently, black	+\$0

For large suspended storage, no lock (L) or small suspended storage, no lock (S)

NL	no lock	+\$0
-----------	---------	------

External Cable Manager

DU11B.
DU11S.

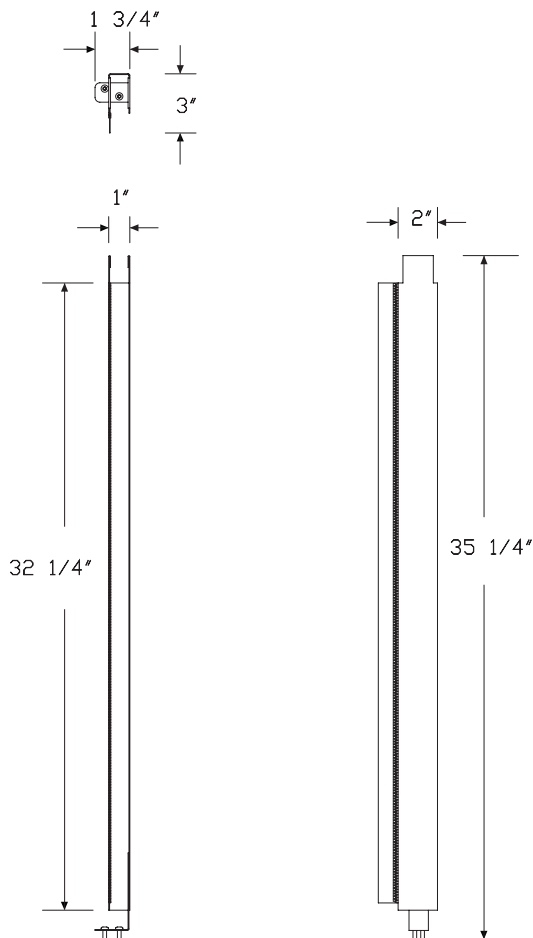


Product Information

Description

This cable manager seamlessly routes cables from the central trough of height adjustable benching (Renew™ Link or Nevi™ Link) up to the work surface as the surface moves up and down. 1 length fits all leg mechanism types. Installation hardware included.

Dimensions



Specification Information

Step 1.

DU11

Step 2. Attachment

- B.** high density trough attachment
- S.** worksurface attachment

Prices for Steps 1-2.

DU11B.	\$273
DU11S.	\$273

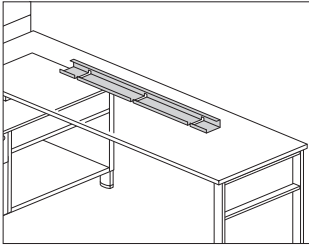
Step 3. Finish

Price Category 5	+\$0
------------------	------

Nevi™ Power and Data Support

Cable Management Channel

FT19C.



Product Information

Description

This channel attaches to the underside of a surface to hold and manage cords and cables. Attachment hardware included.

Dimensions

Specification Information

Step 1.

FT19C. A

Step 2. Width

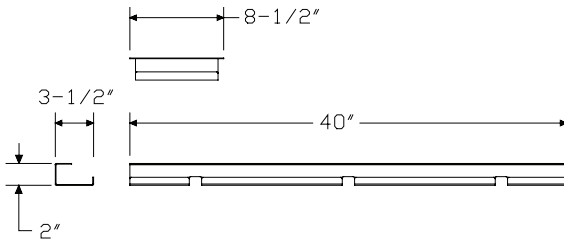
08 8" wide A

40 40" wide A

Prices for Steps 1-2.

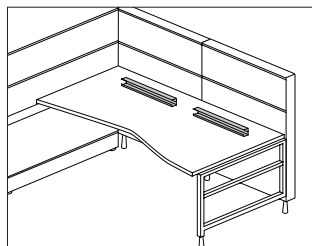
FT19C. 08	\$60
40	\$106

Nevi™ Power and Data Support



Cable Management Trough

FT199.

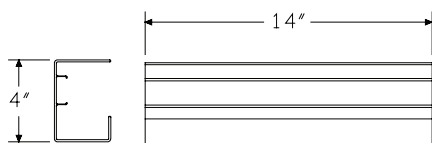


Product Information

Description

This trough attaches along the underside of a Canvas surface to hold and manage power/data cables. It includes two 14"-wide troughs. Finish is black. Attachment hardware is included.

Dimensions



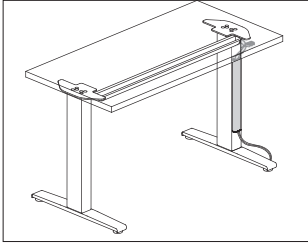
Specification Information

Step 1.

FT199.

\$99

Height-Adjustable Vertical Cable Manager DU15B.
DU15S.

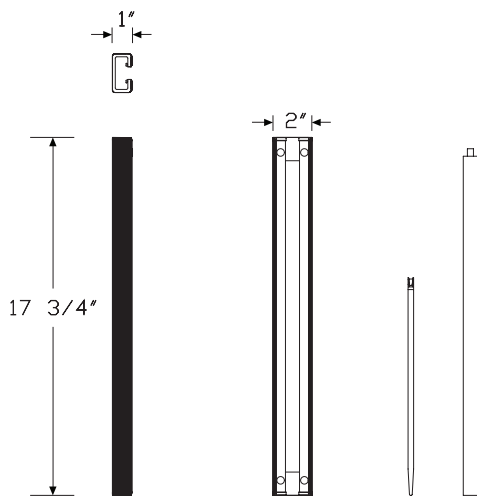


Product Information

Description

This cable manager organizes cords from the power source to the underside of a worksurface on height-adjustable products. It attaches with magnets to the height-adjustable leg column and the mesh sleeve travels up and down with the worksurface. Cable manager is compatible with all height-adjustable leg columns. Installation hardware included.

Dimensions



Specification Information

Step 1.

DU15 A

Step 2. Attachment

- B.** cable tray attachment A
- S.** worksurface attachment A

Step 3. Table Mechanism

- D** electric extended range
- E** electric standard range

Prices for Steps 1-3.

DU15B.D	\$164
E	\$164

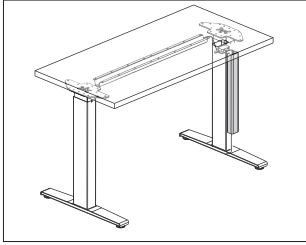
DU15S.D	\$170
E	\$170

Step 4. Finish

MS	metallic silver	+\$0
BK	black	+\$0
91	white	+\$0

Easy Access Height-Adjustable Vertical Cable Manager

DU16B.
DU16S.

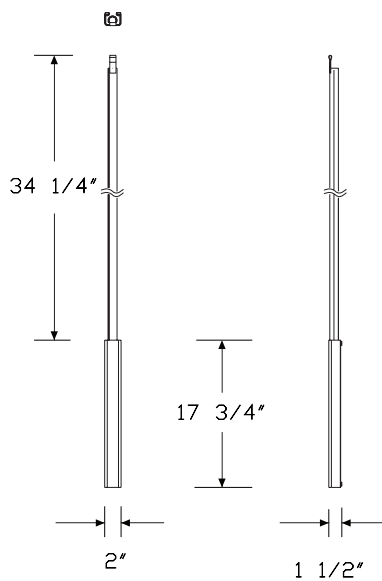


Product Information

Description

This cable manager organizes cords from the power source to the underside of a worksurface on height-adjustable products. It attaches with magnets to the height-adjustable leg column and the mesh sleeve travels up and down with the worksurface. Cable manager is compatible with all height-adjustable leg columns. Installation hardware included.

Dimensions



Specification Information

Step 1.

DU16

Step 2. Attachment

B. cable tray attachment

S. worksurface attachment

Step 3. Table Mechanism

D electric extended range

E electric standard range

Prices for Steps 1-3.

DU16B.D	\$200
E	\$200

DU16S.D	\$200
E	\$200

Step 4. Mesh Finish

BK black +\$0

SY silver grey +\$0

Step 5. Cable Cover Finish

Metallic Paint

MS metallic silver +\$0

Sand Texture Paint

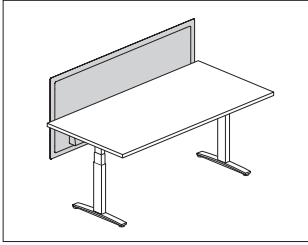
91 white +\$0

98 studio white +\$0

BK black +\$0

G1 graphite +\$0

Pari Screen, Height Adjustable Tables Y1116.



Nevi™ Screens

Product Information

Description

This screen attaches to an individual height adjustable work surface. It has an all-fabric, tackable surface with frameless design, and comes in privacy and modesty sizes. Attachment hardware included.

Notes

Privacy and modesty panel actual width is 2" less than specified width.

Privacy screen (A) top edge aligns with the 42" high Canvas datum line; bottom edge is 4" below work surface.

Privacy & modesty screen (B) top edge aligns with the 42" high Canvas datum line; bottom edge is 10" below work surface.

Privacy screen (C) top edge aligns with the 46" high Canvas datum line; bottom edge is 4" below work surface.

Privacy & modesty screen (D) top edge aligns with the 46" high Canvas datum line; bottom edge is 10" below work surface.

Privacy screen (E) top edge aligns with the 53" high Canvas datum line; bottom edge is 4" below work surface.

Privacy & modesty screen (F) top edge aligns with the 53" high Canvas datum line; bottom edge is 10" below work surface.

Screens 54" wide and wider include an additional 1"-wide center mounting bracket.

Recommended mounting creates a 1" gap between back edge of surface and the screen to accommodate cable routing and the attachment or clamp-mounting of other hardware to the surface.

Optional cable management trough is only available when specifying privacy & modesty height option (B). Trough finish is graphite.

Attachment brackets are inset from edge of screen by approximately 8" and require 2 1/2" of work surface for attachment.

Attachment bracket finish is painted graphite.

Screen accepts Customer's Own Material (COM). Yardage is estimated for nondirectional 54"-wide fabrics.

For vertical fabric direction (T):

Height—Yardage

- A—1.51
- B—1.89
- C—1.76
- D—2.14
- E—2.21
- F—2.58

For horizontal fabric direction (R):

Width—Yardage

For heights A/B:

- 24—0.88
- 30—1.07
- 36—1.26
- 42—1.45
- 48—1.64
- 54—1.83
- 60—2.02
- 66—2.21
- 72—2.39

For heights C/D/E/F:

- 24—1.76
- 30—2.14
- 36—2.52
- 42—2.90
- 48—3.28
- 54—3.65
- 60—4.03
- 66—4.41
- 72—4.79

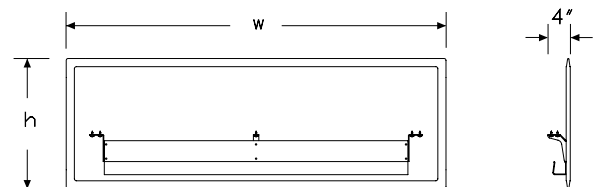
For information on multiple quantities or directional fabrics, contact COM Department. See Order Information in Appendices.

MicrobeCare™ is an antimicrobial coating applied to the fabric surface of this product.

MicrobeCare™ protects products from mold, mildew, algae, and bacteria that cause deterioration, discoloration, odors, and stains.

MicrobeCare™ is registered with the US Environmental Protection Agency (EPA).

Dimensions



Pari Screen, Height Adjustable Tables *continued*

Specification Information

Step 1.

Y1116. A

Step 2. Height

- A** privacy (42" high) A
- B** privacy & modesty (42" high/10" below surface) A
- C** privacy (46" high) A
- D** privacy & modesty (46" high/10" below surface) A
- E** privacy (53" high) A
- F** privacy & modesty (53" high/10" below surface) A

Step 3. Width

- 24** 24" wide A
- 30** 30" wide A
- 36** 36" wide A
- 42** 42" wide A
- 48** 48" wide A
- 54** 54" wide A
- 60** 60" wide A
- 66** 66" wide A
- 72** 72" wide A

Step 4. Surface Material

For 24" wide (24), 30" wide (30), 36" wide (36), 42" wide (42), or 48" wide (48)

- R** tackable fabric, horizontal A
- T** tackable fabric A
- D** tackable fabric, horizontal with MicrobeCare™ A
- E** tackable fabric with MicrobeCare™ A

For 54" wide (54), 60" wide (60), 66" wide (66), or 72" wide (72)

- R** tackable fabric, horizontal A
- D** tackable fabric, horizontal with MicrobeCare™ A

Prices for Steps 1-4.

		R	T	D	E
Y1116. A	24	\$539	539	606	606
	30	\$626	626	691	691
	36	\$650	650	716	716
	42	\$689	689	756	756
	48	\$714	714	781	781
	54	\$784	—	850	—
	60	\$842	—	909	—
	66	\$900	—	968	—
	72	\$950	—	1015	—

B	24	\$651	651	717	717
	30	\$698	698	763	763
	36	\$742	742	807	807
	42	\$784	784	850	850
	48	\$870	870	936	936
	54	\$979	—	1045	—
	60	\$1004	—	1070	—
	66	\$1080	—	1147	—
	72	\$1107	—	1174	—
C	24	\$613	613	679	679
	30	\$656	656	722	722
	36	\$702	702	768	768
	42	\$745	745	811	811
	48	\$823	823	888	888
	54	\$905	—	970	—
	60	\$1008	—	1074	—
	66	\$1057	—	1123	—
	72	\$1100	—	1165	—
D	24	\$788	788	853	853
	30	\$830	830	896	896
	36	\$874	874	940	940
	42	\$918	918	984	984
	48	\$987	987	1055	1055
	54	\$1035	—	1101	—
	60	\$1097	—	1163	—
	66	\$1152	—	1218	—
	72	\$1182	—	1247	—
E	24	\$806	806	872	872
	30	\$850	850	916	916
	36	\$894	894	959	959
	42	\$964	964	1031	1031
	48	\$992	992	1059	1059
	54	\$1048	—	1116	—
	60	\$1069	—	1136	—
	66	\$1096	—	1162	—
	72	\$1121	—	1187	—
F	24	\$888	888	954	954
	30	\$931	931	998	998
	36	\$976	976	1042	1042
	42	\$1020	1020	1086	1086
	48	\$1098	1098	1164	1164
	54	\$1136	—	1201	—
	60	\$1178	—	1244	—
	66	\$1274	—	1339	—
	72	\$1299	—	1365	—

Nevi™ Screens

Pari Screen, Height Adjustable Tables *continued*

Step 5. Cable Trough
For privacy & modesty (42" high/10" below surface) (B), privacy & modesty (46" high/10" below surface) (D), or privacy & modesty (53" high/10" below surface) (F)

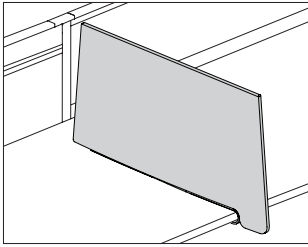
NC	no cable way <input type="checkbox"/> A	+\$0
CW	cable way <input type="checkbox"/> A	+\$25

Step 6. Fabric

Price Category 1	+\$0
Price Category 2	+\$23
Price Category 3	+\$49
Price Category 4	+\$96
Price Category 5	+\$162
Price Category B	+\$86
Price Category C	+\$121
Price Category E	+\$182

Personal Side Screen

Y1117.



Product Information

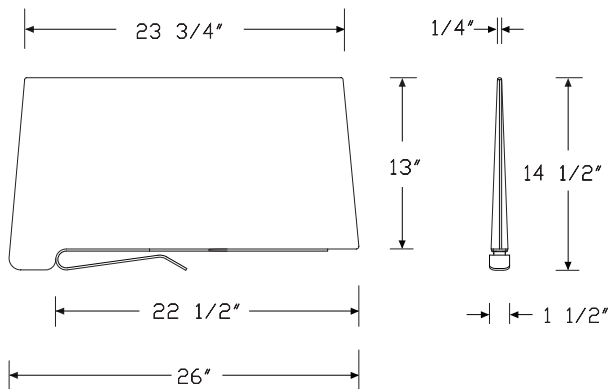
Description

This side screen has a tackable surface and slips onto the front of most HermanMiller work surfaces to provide visual privacy on tables, benches, and systems product. It attaches without tools and can be secured in place with screws on the underside of the surface. Clamp finish is graphite.

Notes

- Screen height is 13" above work surface.
- Screen is not compatible with Layout Studio®.
- Screen can be used with work surfaces up to 1 1/4" thick.
- Bottom of attachment bracket extends 1 1/2" below work surface.
- Screen accepts Customer's Own Material (COM). Yardage is estimated for nondirectional 54"-wide fabrics.
- For vertical fabric direction (T):
Height—Yardage
13—0.94
- For horizontal fabric direction (R):
Height—Yardage
13—1.00
- For information on multiple quantities or directional fabrics, contact COM Department. See Order Information in Appendices.

Dimensions



Specification Information

Step 1.

Y1117. [A]

Step 2. Height

13 13" high [A]

Step 3. Surface Material

R tackable fabric, horizontal [A]

T tackable fabric [A]

Prices for Steps 1-3.

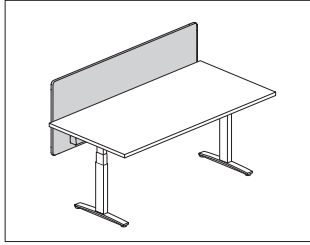
	R	T
Y1117. 13	\$483	483

Step 4. Fabric

Price Category 1	+\$0
Price Category 2	+\$13
Price Category 3	+\$28
Price Category 4	+\$53
Price Category 5	+\$90
Price Category C	+\$66

Nevi™ Screens

Surface-Attached Screen, Flat Edge Y1118.



Nevi™ Screens

Product Information

Description
 This surface-attached tackable screen attaches to an individual table, desk, or work surface. It has a frameless all-fabric design with a flat edge, and comes in privacy and modesty sizes. Attachment hardware included.

Notes

Privacy and modesty panel actual width is 2" less than specified width.

Privacy screen (A) top edge is 13" above top of work surface; bottom edge is 3 3/4" below work surface.

Privacy & modesty screen (B) top edge is 13" above top of work surface; bottom edge is 10" below work surface.

Privacy screen (A) top edge aligns with the 42" high Canvas datum line; bottom edge is 4" below work surface.

Privacy & modesty screen (B) top edge aligns with the 42" high Canvas datum line; bottom edge is 9" below work surface.

Privacy screen (C) top edge aligns with the 46" high Canvas datum line; bottom edge is 4" below work surface.

Privacy & modesty screen (D) top edge aligns with the 46" high Canvas datum line; bottom edge is 9" below work surface.

Privacy screen (E) top edge aligns with the 53" high Canvas datum line; bottom edge is 4" below work surface.

Privacy & modesty screen (F) top edge aligns with the 53" high Canvas datum line; bottom edge is 9" below work surface.

Screens 54" wide and wider include an additional 1"-wide center mounting bracket.

Recommended mounting creates a 1" gap between back edge of surface and the screen to accommodate cable routing and the attachment or clamp-mounting of other hardware to the surface. Optional cable management trough is only available when specifying privacy & modesty height option (B). Trough finish is graphite.

Attachment brackets are inset from edge of screen by approximately 8" and require 2 1/2" of work surface for attachment.

Attachment bracket finish is painted graphite.

Screen accepts Customer's Own Material (COM). Yardage is estimated for nondirectional 54"-wide fabrics.

For vertical fabric direction (T):
Height—Yardage
 A—1.51
 B—1.89
 C—1.76
 D—2.14
 E—2.21
 F—2.58

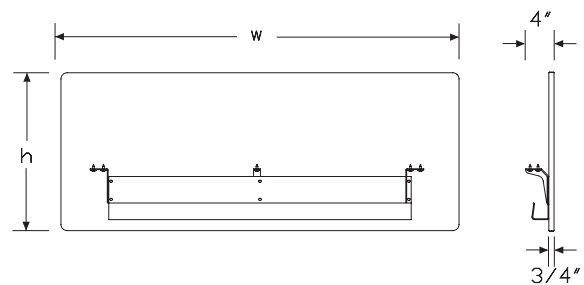
For horizontal fabric direction (R):
Width—Yardage
 For heights A/B:
 24—0.88
 30—1.07
 36—1.26
 42—1.45
 48—1.64
 54—1.83
 60—2.02
 66—2.21
 72—2.39
 For heights C/D/E/F:
 24—1.76
 30—2.14
 36—2.52
 42—2.90
 48—3.28
 54—3.65
 60—4.03
 66—4.41
 72—4.79

For information on multiple quantities or directional fabrics, contact COM Department. See Order Information in Appendices.

MicrobeCare™ is an antimicrobial coating applied to the fabric surface of this product.

MicrobeCare™ protects products from mold, mildew, algae, and bacteria that cause deterioration, discoloration, odors, and stains. MicrobeCare™ is registered with the US Environmental Protection Agency (EPA).

Dimensions



Surface-Attached Screen, Flat Edge *continued*

Specification Information

Step 1.

Y1118. A

Step 2. Height

- A** privacy (42" high) A
- B** privacy & modesty (42" high/ 9" below surface) A
- C** privacy (46" high) A
- D** privacy & modesty (46" high/ 9" below surface) A
- E** privacy (53" high) A
- F** privacy & modesty (53" high/ 9" below surface) A

Step 3. Width

- 24** 24" wide A
- 30** 30" wide A
- 36** 36" wide A
- 42** 42" wide A
- 48** 48" wide A
- 54** 54" wide A
- 60** 60" wide A
- 66** 66" wide A
- 72** 72" wide A

Step 4. Surface Material

For 24" wide (24), 30" wide (30), 36" wide (36), 42" wide (42), or 48" wide (48)

- R** tackable fabric, horizontal A
- T** tackable fabric A
- D** tackable fabric, horizontal with MicrobeCare™ A
- E** tackable fabric with MicrobeCare™ A

For 54" wide (54), 60" wide (60), 66" wide (66), or 72" wide (72)

- R** tackable fabric, horizontal A
- D** tackable fabric, horizontal with MicrobeCare™ A

Prices for Steps 1-4.

	R	T	D	E
Y1118. A 24	\$375	375	441	441
30	\$405	405	471	471
36	\$483	483	550	550
42	\$520	520	586	586
48	\$557	557	622	622
54	\$592	—	657	—
60	\$642	—	708	—
66	\$672	—	738	—
72	\$716	—	782	—

B 24	\$467	467	532	532
30	\$503	503	570	570
36	\$539	539	606	606
42	\$577	577	643	643
48	\$607	607	674	674
54	\$640	—	705	—
60	\$662	—	728	—
66	\$722	—	789	—
72	\$776	—	842	—
C 24	\$468	468	534	534
30	\$516	516	582	582
36	\$555	555	621	621
42	\$611	611	677	677
48	\$685	685	750	750
54	\$721	—	788	—
60	\$806	—	872	—
66	\$848	—	913	—
72	\$909	—	975	—
D 24	\$588	588	655	655
30	\$656	656	722	722
36	\$732	732	797	797
42	\$748	748	815	815
48	\$779	779	846	846
54	\$801	—	866	—
60	\$887	—	953	—
66	\$959	—	1026	—
72	\$999	—	1065	—
E 24	\$638	638	703	703
30	\$647	647	713	713
36	\$665	665	731	731
42	\$781	781	848	848
48	\$808	808	875	875
54	\$829	—	895	—
60	\$866	—	932	—
66	\$944	—	1011	—
72	\$1005	—	1071	—
F 24	\$772	772	838	838
30	\$781	781	848	848
36	\$795	795	861	861
42	\$808	808	875	875
48	\$819	819	886	886
54	\$830	—	896	—
60	\$918	—	984	—
66	\$965	—	1032	—
72	\$1166	—	1232	—

Nevi™ Screens

Surface-Attached Screen, Flat Edge *continued*

Nevi™ Screens

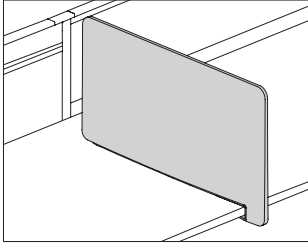
Step 5. Cable Trough		
<i>For privacy & modesty (42" high/ 9" below surface) (B), privacy & modesty (46" high/ 9" below surface) (D), or privacy & modesty (53" high/ 9" below surface) (F)</i>		
NC	no cable way A	+\$0
CW	cable way A	+\$25

Step 6. Fabric	
Price Category 1	+\$0
Price Category 2	+\$25
Price Category 3	+\$59
Price Category 4	+\$112
Price Category 5	+\$146
Price Category B	+\$97
Price Category C	+\$133
Price Category E	+\$182

<i>For tackable fabric, horizontal (R) or tackable fabric, horizontal with MicrobeCare™ (D)</i>	
Price Category 1	+\$0
Price Category 2	+\$25
Price Category 3	+\$59
Price Category 4	+\$112
Price Category 5	+\$146
Price Category B	+\$97
Price Category C	+\$133
Price Category E	+\$182

Personal Side Screen,
Rectangular

Y1119.



Product Information

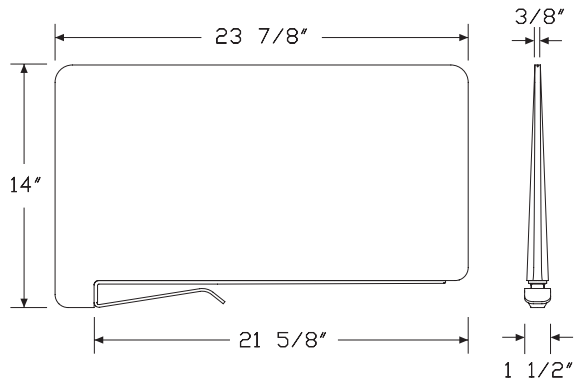
Description

This side screen has a tackable surface and slips onto the front of most HermanMiller work surfaces to provide visual privacy on tables, benches, and systems product. It attaches without tools and can be secured in place with screws on the underside of the surface. Clamp finish is graphite.

Notes

- Screen height is 13" above work surface.
- Screen is not compatible with Layout Studio®.
- Screen can be used with work surfaces up to 1 1/4" thick.
- Bottom of attachment bracket extends 1 1/2" below work surface.
- Screen accepts Customer's Own Material (COM). Yardage is estimated for nondirectional 54"-wide fabrics.
- For vertical fabric direction (T):
Height—Yardage
13—0.94
- For horizontal fabric direction (R):
Height—Yardage
13—1.00
- For information on multiple quantities or directional fabrics, contact COM Department. See Order Information in Appendices.

Dimensions



Specification Information

Step 1.

Y1119. [A]

Step 2. Height

13 13" high [A]

Step 3. Surface Material

R tackable fabric, horizontal [A]

T tackable fabric [A]

Prices for Steps 1-3.

	R	T
Y1119. 13	\$474	474

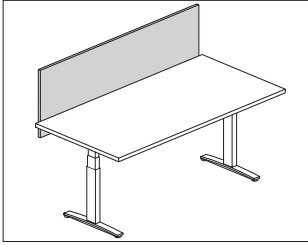
Step 4. Surface Finish

Price Category 1	+\$0
Price Category 2	+\$11
Price Category 3	+\$23
Price Category 4	+\$47
Price Category 5	+\$80
Price Category C	+\$66

Nevi™ Screens

Laminate Screen, Surface Attached

Y1120.



Nevi™ Screens

Product Information

Description

This screen attaches to an individual height adjustable work surface. It has a laminate surface with frameless design and comes in privacy and modesty sizes. Attachment hardware included.

Notes

Privacy and modesty panel actual width is 2" less than specified width.

Privacy screen (13A) top edge aligns with the 42"-high Canvas datum line; bottom edge is 4" below work surface.

Privacy & modesty screen (13B) top edge aligns with the 42"-high Canvas datum line; bottom edge is 11¹/₈" below work surface.

Screens 54" wide and wider include an additional 1"-wide center mounting bracket.

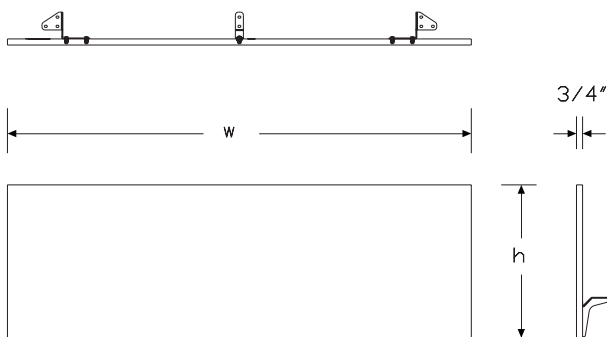
Recommended mounting creates a 1" gap between back edge of surface and the screen to accommodate cable routing and the attachment or clamp-mounting of other hardware to the surface.

Optional cable management trough is only available when specifying privacy & modesty height option (13B). Trough finish is graphite.

Attachment brackets are inset from edge of screen by approximately 8" and require 2¹/₂" of work surface for attachment.

Attachment bracket finish is painted graphite.

Dimensions



Specification Information

Step 1.

Y1120.

Step 2. Height

13A privacy (13¹/₂" above worksurface)

13B privacy & modesty (13¹/₂" above worksurface/11¹/₈" below worksurface)

Step 3. Width

24 24" wide

30 30" wide

36 36" wide

42 42" wide

48 48" wide

54 54" wide

60 60" wide

66 66" wide

72 72" wide

Step 4. Surface Material

L thermally-fused laminate

U thermally-fused laminate/universal edge

Prices for Steps 1-4.

		L	U
Y1120. 13A	24	\$256	256
	30	\$272	272
	36	\$286	286
	42	\$300	300
	48	\$314	314
	54	\$327	327
	60	\$337	337
	66	\$348	348
	72	\$362	362
13B	24	\$316	316
	30	\$333	333
	36	\$350	350
	42	\$368	368
	48	\$386	386
	54	\$400	400
	60	\$417	417
	66	\$429	429
	72	\$443	443

Laminate Screen, Surface Attached *continued*

Step 5. Grain Direction

For 24" wide (24), 30" wide (30), 36" wide (36), 42" wide (42), 48" wide (48), 54" wide (54), or 60" wide (60)

VTG	vertical grain	+\$0
HRG	horizontal grain	+\$0

For 66" wide (66) or 72" wide (72)

HRG	horizontal grain	+\$0
------------	------------------	------

Step 6. Cable Trough

For privacy (13¹/₂" above worksurface) (13A)

NC	no cable way	+\$0
-----------	--------------	------

For privacy & modesty (13¹/₂" above worksurface/11¹/₈" below worksurface) (13B)

NC	no cable way	+\$0
CW	cable way	+\$25

Step 7. Surface Finish

76	light brown walnut	+\$0
8Q	folkstone grey	+\$0
91	white	+\$0
98	studio white	+\$0
CL	cool grey neutral	+\$0
HM	natural maple	+\$0
HP	light anigre	+\$0
HX	aged cherry	+\$0
LBA	clear on ash	+\$0
LBR	phantom ecru	+\$0
LBS	phantom cocoa	+\$0
LBU	medium matte walnut	+\$0
LBV	warm grey teak	+\$0
LBB	oak on ash	+\$0
LBC	walnut on ash	+\$0
LBF	neutral twill	+\$0
LBJ	graphite twill	+\$0
LBQ	white twill	+\$0
LU	soft white	+\$0
WL	sandstone	+\$0
WN	warm grey neutral	+\$0

Step 8. Edge Finish

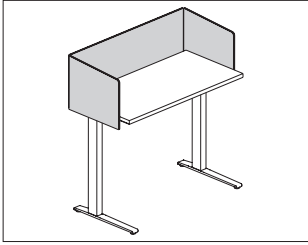
For thermally-fused laminate (L)

76	light brown walnut	+\$0
8Q	folkstone grey	+\$0
91	white	+\$0
98	studio white	+\$0
BU	black umber	+\$0
CL	cool grey neutral	+\$0
HF	inner tone light	+\$0
HM	natural maple	+\$0
HP	light anigre	+\$0
HX	aged cherry	+\$0
LBA	clear on ash	+\$0
LBR	phantom ecru	+\$0
LBS	phantom cocoa	+\$0
LBU	medium matte walnut	+\$0
LBV	warm grey teak	+\$0
LBB	oak on ash	+\$0
LBC	walnut on ash	+\$0
LBF	neutral twill	+\$0
LBJ	graphite twill	+\$0
LBQ	white twill	+\$0
LU	soft white	+\$0
WL	sandstone	+\$0
WN	warm grey neutral	+\$0

For thermally-fused laminate/universal edge (U)

PLY	plywood edge	+\$50
------------	--------------	-------

Ambit™ Height Adjustable Table Y1150. Screen, Thin Profile Fabric



Product Information

Description

This environmentally friendly, surface-attached tackable screen attaches to an individual table, desk, or work surface. It has a frameless, all-fabric design with a flat edge, and comes in privacy and modesty sizes. Attachment hardware included.

Notes

Privacy and modesty panel actual width is 2" less than specified width.

For side-attached (S) privacy screens (A), (C), and (E), top edge is 13" above top of work surface; bottom edge is 3 3/4" below work surface.

For side-attached (S) privacy & modesty screens (B), (D), and (F), top edge is 13" above top of work surface; bottom edge is 10" below work surface.

For both top mount (T) and side mount (S) screens (A) and (B), top edge aligns with the 42" high Canvas datum line.

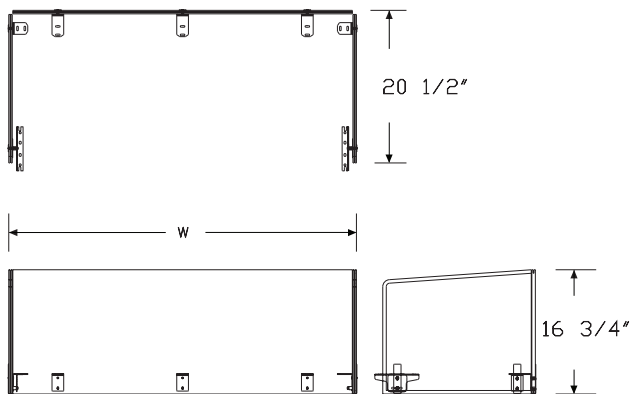
For both top mount (T) and side mount (S) screens (C) and (D), top edge aligns with the 46" high Canvas datum line.

For both top mount (T) and side mount (S) screens (E) and (F), top edge aligns with the 53" high Canvas datum line.

Side-attached (S) screens contain a center bracket.

Side-attached (S) bracket finish is painted graphite; for top mount (T) screens bracket color is specified.

Dimensions



Specification Information

Step 1.

Y1150.

Step 2. Table Type

MT	Motia
NL	Nevi Link
NT	Nevi
RL	Renew Link
RT	Renew

Step 3. Application

For Motia (MT), Nevi (NT), or Renew (RT)

L	left hand return
R	right hand return
S	back screen only
U	right and left return screen, U screen

For Nevi Link (NL) or Renew Link (RL)

L	left hand return
R	right hand return
U	right and left return screen, U screen

Step 4. Attachment Method

For Motia (MT), Nevi (NT), or Renew (RT) with back screen only (S)

S	attached on outside of work surface (for use with freestanding table)
----------	---

For Motia (MT), Nevi (NT), or Renew (RT) with left hand return (L), right hand return (R), or right and left return screen, U screen (U)

S	attached on outside of work surface (for use with freestanding table)
T	mounted on top of work surface (for benching applications)

For Nevi Link (NL) or Renew Link (RL) with left hand return (L), right hand return (R), or right and left return screen, U screen (U)

T	mounted on top of work surface (for benching applications)
----------	--

Ambit™ Height Adjustable Table Screen, Thin Profile Fabric *continued*

Step 5. Height

For attached on outside of work surface (for use with freestanding table) (S)

A	privacy (42" high)
B	privacy & modesty (42" high/10" below surface)
C	privacy (46" high)
D	privacy & modesty (46" high/10" below surface)
E	privacy (53" high)
F	privacy & modesty (53" high/10" below surface)

For mounted on top of work surface (for benching applications) (T)

A	privacy (42" high)
C	privacy (46" high)
E	privacy (53" high)

Step 6. Width

For Motia (MT), Nevi (NT), or Renew (RT) with left hand return (L), right hand return (R), or right and left return screen, U screen (U) with privacy & modesty (42" high/10" below surface) (B) or privacy & modesty (46" high/10" below surface) (D)

48	48" wide
54	54" wide
60	60" wide
66	66" wide
72	72" wide

For Renew (RT) with back screen only (S) with privacy (42" high) (A), privacy & modesty (42" high/10" below surface) (B), privacy (46" high) (C), privacy & modesty (46" high/10" below surface) (D), privacy (53" high) (E), or privacy & modesty (53" high/10" below surface) (F)

36	36" wide
42	42" wide
48	48" wide
54	54" wide
60	60" wide
66	66" wide
72	72" wide

For Motia (MT) or Nevi (NT) with back screen only (S) with privacy (42" high) (A), privacy & modesty (42" high/10" below surface) (B), privacy (46" high) (C), privacy & modesty (46" high/10" below surface) (D), privacy (53" high) (E), or privacy & modesty (53" high/10" below surface) (F)

48	48" wide
54	54" wide
60	60" wide
66	66" wide
72	72" wide

For Motia (MT), Nevi (NT), or Renew (RT) with left hand return (L), right hand return (R), or right and left return screen, U screen (U) with privacy & modesty (53" high/10" below surface) (F)

48	48" wide
54	54" wide
60	60" wide
66	66" wide
72	72" wide

For Motia (MT), Nevi Link (NL), Nevi (NT), Renew Link (RL), or Renew (RT) with left hand return (L), right hand return (R), or right and left return screen, U screen (U) with privacy (42" high) (A) or privacy (46" high) (C)

48	48" wide
54	54" wide
60	60" wide
66	66" wide
72	72" wide

For Motia (MT), Nevi Link (NL), Nevi (NT), Renew Link (RL), or Renew (RT) with left hand return (L), right hand return (R), or right and left return screen, U screen (U) with privacy (53" high) (E)

48	48" wide
54	54" wide
60	60" wide
66	66" wide
72	72" wide

Step 7. Table Depth

For left hand return (L), right hand return (R), or right and left return screen, U screen (U)

24	24" deep
30	30" deep

Ambit™ Height Adjustable Table Screen, Thin Profile Fabric *continued*

For back screen only (S)

00 no depth selection needed

Step 8. Surface Material

R tackable fabric, horizontal

Prices for Steps 1-8.

Nevi™ Screens

	SA3600R	SA4200R	SA4800R	SA4824R	SA4830R	SA5400R
Y1150. MT L	—	—	—	\$773	785	—
R	—	—	—	\$773	773	—
S	—	—	\$546	—	—	580
U	—	—	—	\$1034	1034	—
NT L	—	—	—	\$773	773	—
R	—	—	—	\$773	773	—
S	—	—	\$546	—	—	580
U	—	—	—	\$1034	1034	—
RT L	—	—	—	\$773	773	—
R	—	—	—	\$773	773	—
S	\$474	510	546	—	—	580
U	—	—	—	\$1034	1034	—

	SA5424R	SA5430R	SA6000R	SA6024R	SA6030R	SA6600R
Y1150. MT L	\$831	851	—	867	900	—
R	\$831	851	—	867	900	—
S	—	—	\$630	—	—	660
U	\$1112	1140	—	1158	1201	—
NT L	\$831	851	—	867	900	—
R	\$831	851	—	867	900	—
S	—	—	\$630	—	—	660
U	\$1112	1140	—	1158	1201	—
RT L	\$831	851	—	867	900	—
R	\$831	851	—	867	900	—
S	—	—	\$630	—	—	660
U	\$1112	1140	—	1158	1201	—

	SA6624R	SA6630R	SA7200R	SA7224R	SA7230R	SB3600R
Y1150. MT L	\$897	941	—	936	992	—
R	\$897	941	—	936	992	—
S	—	—	\$702	—	—	—
U	\$1199	1258	—	1252	1328	—
NT L	\$897	941	—	936	992	—
R	\$897	941	—	936	992	—
S	—	—	\$702	—	—	—
U	\$1199	1258	—	1252	1328	—

RT L	\$897	941	—	936	992	—
R	\$897	941	—	936	992	—
S	—	—	\$702	—	—	529
U	\$1199	1258	—	1252	1328	—

	SB4200R	SB4800R	SB4824R	SB4830R	SB5400R	SB5424R
Y1150. MT L	—	—	\$797	834	—	855
R	—	—	\$797	797	—	855
S	—	\$596	—	—	628	—
U	—	—	\$1066	1066	—	1144
NT L	—	—	\$797	797	—	855
R	—	—	\$797	797	—	855
S	—	\$596	—	—	628	—
U	—	—	\$1066	1066	—	1144
RT L	—	—	\$797	797	—	855
R	—	—	\$797	797	—	855
S	\$566	596	—	—	628	—
U	—	—	\$1066	1066	—	1144

	SB5430R	SB6000R	SB6024R	SB6030R	SB6600R	SB6624R
Y1150. MT L	\$876	—	890	923	—	921
R	\$876	—	890	923	—	921
S	—	\$649	—	—	708	—
U	\$1172	—	1190	1233	—	1231
NT L	\$876	—	890	923	—	921
R	\$876	—	890	923	—	921
S	—	\$649	—	—	708	—
U	\$1172	—	1190	1233	—	1231
RT L	\$876	—	890	923	—	921
R	\$876	—	890	923	—	921
S	—	\$649	—	—	708	—
U	\$1172	—	1190	1233	—	1231

	SB6630R	SB7200R	SB7224R	SB7230R	SC3600R	SC4200R
Y1150. MT L	\$965	—	960	1017	—	—
R	\$965	—	960	1017	—	—
S	—	\$762	—	—	—	—
U	\$1289	—	1283	1360	—	—
NT L	\$965	—	960	1017	—	—
R	\$965	—	960	1017	—	—
S	—	\$762	—	—	—	—
U	\$1289	—	1283	1360	—	—
RT L	\$965	—	960	1017	—	—
R	\$965	—	960	1017	—	—
S	—	\$762	—	—	544	599
U	\$1289	—	1283	1360	—	—

Ambit™ Height Adjustable Table
Screen, Thin Profile Fabric *continued*

	SC4800R	SC4824R	SC4830R	SC5400R	SC5424R	SC5430R
Y1150. MT L	—	\$889	889	—	948	969
R	—	\$889	889	—	948	969
S	\$672	—	—	707	—	—
U	—	\$1190	1190	—	1267	1295
NT L	—	\$889	889	—	948	969
R	—	\$889	889	—	948	969
S	\$672	—	—	707	—	—
U	—	\$1190	1190	—	1267	1295
RT L	—	\$889	889	—	948	969
R	—	\$889	889	—	948	969
S	\$672	—	—	707	—	—
U	—	\$1190	1190	—	1267	1295

	SC6000R	SC6024R	SC6030R	SC6600R	SC6624R	SC6630R
Y1150. MT L	—	\$983	1016	—	1013	1057
R	—	\$983	1016	—	1013	1057
S	\$791	—	—	832	—	—
U	—	\$1314	1357	—	1355	1414
NT L	—	\$983	1016	—	1013	1057
R	—	\$983	1016	—	1013	1057
S	\$791	—	—	832	—	—
U	—	\$1314	1357	—	1355	1414
RT L	—	\$983	1016	—	1013	1057
R	—	\$983	1016	—	1013	1057
S	\$791	—	—	832	—	—
U	—	\$1314	1357	—	1355	1414

	SC7200R	SC7224R	SC7230R	SD3600R	SD4200R	SD4800R
Y1150. MT L	—	\$1052	1110	—	—	—
R	—	\$1052	1110	—	—	—
S	\$891	—	—	—	—	764
U	—	\$1407	1484	—	—	—
NT L	—	\$1052	1110	—	—	—
R	—	\$1052	1110	—	—	—
S	\$891	—	—	—	—	764
U	—	\$1407	1484	—	—	—
RT L	—	\$1052	1110	—	—	—
R	—	\$1052	1110	—	—	—
S	\$891	—	—	718	734	764
U	—	\$1407	1484	—	—	—

	SD4824R	SD4830R	SD5400R	SD5424R	SD5430R	SD6000R
Y1150. MT L	\$904	904	—	963	983	—
R	\$904	904	—	963	983	—
S	—	—	\$785	—	—	870
U	\$1211	1211	—	1288	1316	—

NT L	\$904	904	—	963	983	—
R	\$904	904	—	963	983	—
S	—	—	\$785	—	—	870
U	\$1211	1211	—	1288	1316	—
RT L	\$904	904	—	963	983	—
R	\$904	904	—	963	983	—
S	—	—	\$785	—	—	870
U	\$1211	1211	—	1288	1316	—

	SD6024R	SD6030R	SD6600R	SD6624R	SD6630R	SD7200R
Y1150. MT L	\$998	1030	—	1028	1072	—
R	\$998	1030	—	1028	1072	—
S	—	—	\$941	—	—	980
U	\$1334	1378	—	1376	1434	—
NT L	\$998	1030	—	1028	1072	—
R	\$998	1030	—	1028	1072	—
S	—	—	\$941	—	—	980
U	\$1334	1378	—	1376	1434	—
RT L	\$998	1030	—	1028	1072	—
R	\$998	1030	—	1028	1072	—
S	—	—	\$941	—	—	980
U	\$1334	1378	—	1376	1434	—

	SD7224R	SD7230R	SE3600R	SE4200R	SE4800R	SE4824R
Y1150. MT L	\$1067	1124	—	—	—	966
R	\$1067	1124	—	—	—	966
S	—	—	—	—	\$793	—
U	\$1428	1504	—	—	—	1293
NT L	\$1067	1124	—	—	—	966
R	\$1067	1124	—	—	—	966
S	—	—	—	—	\$793	—
U	\$1428	1504	—	—	—	1293
RT L	\$1067	1124	—	—	—	966
R	\$1067	1124	—	—	—	966
S	—	—	\$652	766	793	—
U	\$1428	1504	—	—	—	1293

	SE4830R	SE5400R	SE5424R	SE5430R	SE6000R	SE6024R
Y1150. MT L	\$966	—	1024	1045	—	1059
R	\$966	—	1024	1045	—	1059
S	—	\$813	—	—	849	—
U	\$1293	—	1370	1398	—	1417
NT L	\$966	—	1024	1045	—	1059
R	\$966	—	1024	1045	—	1059
S	—	\$813	—	—	849	—
U	\$1293	—	1370	1398	—	1417

Nevi™ Screens

Ambit™ Height Adjustable Table
Screen, Thin Profile Fabric *continued*

Nevi™ Screens

	RT	L	\$966	—	1024	1045	—	1059
	R		\$966	—	1024	1045	—	1059
	S		—	\$813	—	—	849	—
	U		\$1293	—	1370	1398	—	1417
			SE6030R SE6600R SE6624R SE6630R SE7200R SE7224R					
Y1150. MT	L		\$1092	—	1090	1133	—	1129
	R		\$1092	—	1090	1133	—	1129
	S		—	\$926	—	—	986	—
	U		\$1461	—	1458	1517	—	1510
	NT	L	\$1092	—	1090	1133	—	1129
	R		\$1092	—	1090	1133	—	1129
	S		—	\$926	—	—	986	—
	U		\$1461	—	1458	1517	—	1510
	RT	L	\$1092	—	1090	1133	—	1129
	R		\$1092	—	1090	1133	—	1129
	S		—	\$926	—	—	986	—
	U		\$1461	—	1458	1517	—	1510
			SE7230R SF3600R SF4200R SF4800R SF4824R SF4830R					
Y1150. MT	L		\$1186	—	—	—	1044	1044
	R		\$1186	—	—	—	1044	1044
	S		—	—	—	\$804	—	—
	U		\$1587	—	—	—	1396	1396
	NT	L	\$1186	—	—	—	1044	1044
	R		\$1186	—	—	—	1044	1044
	S		—	—	—	\$804	—	—
	U		\$1587	—	—	—	1396	1396
	RT	L	\$1186	—	—	—	1044	1044
	R		\$1186	—	—	—	1044	1044
	S		—	\$780	785	804	—	—
	U		\$1587	—	—	—	1396	1396
			SF5400R SF5424R SF5430R SF6000R SF6024R SF6030R					
Y1150. MT	L		—	\$1103	1123	—	1138	1171
	R		—	\$1103	1123	—	1138	1171
	S		\$814	—	—	901	—	—
	U		—	\$1474	1502	—	1520	1564
	NT	L	—	\$1103	1123	—	1138	1171
	R		—	\$1103	1123	—	1138	1171
	S		\$814	—	—	901	—	—
	U		—	\$1474	1502	—	1520	1564
	RT	L	—	\$1103	1123	—	1138	1171
	R		—	\$1103	1123	—	1138	1171
	S		\$814	—	—	901	—	—
	U		—	\$1474	1502	—	1520	1564

			SF6600R	SF6624R	SF6630R	SF7200R	SF7224R	SF7230R
Y1150. MT	L		—	\$1167	1212	—	1207	1264
	R		—	\$1167	1212	—	1207	1264
	S		\$947	—	—	1144	—	—
	U		—	\$1562	1620	—	1613	1691
	NT	L	—	\$1167	1212	—	1207	1264
	R		—	\$1167	1212	—	1207	1264
	S		\$947	—	—	1144	—	—
	U		—	\$1562	1620	—	1613	1691
	RT	L	—	\$1167	1212	—	1207	1264
	R		—	\$1167	1212	—	1207	1264
	S		\$947	—	—	1144	—	—
	U		—	\$1562	1620	—	1613	1691
			TA4824R TA4830R TA5424R TA5430R TA6024R TA6030R					
Y1150. MT	L		\$773	773	831	851	867	900
	R		\$773	773	831	851	867	900
	U		\$1034	1034	1112	1140	1158	1201
	NL	L	\$773	773	831	851	867	900
	R		\$773	773	831	851	867	900
	U		\$1034	1034	1112	1140	1158	1201
	NT	L	\$773	773	831	851	867	900
	R		\$773	773	831	851	867	900
	U		\$1034	1034	1112	1140	1158	1201
	RL	L	\$773	773	831	851	867	900
	R		\$773	773	831	851	867	900
	U		\$1034	1034	1112	1140	1158	1201
	RT	L	\$773	773	831	851	867	900
	R		\$773	773	831	851	867	900
	U		\$1034	1034	1112	1140	1158	1201
			TA6624R TA6630R TA7224R TA7230R TC4824R TC4830R					
Y1150. MT	L		\$897	941	936	992	889	889
	R		\$897	941	936	992	889	889
	U		\$1199	1258	1252	1328	1190	1190
	NL	L	\$897	941	936	992	889	889
	R		\$897	941	936	992	889	889
	U		\$1199	1258	1252	1328	1190	1190
	NT	L	\$897	941	936	992	889	889
	R		\$897	941	936	992	889	889
	U		\$1199	1258	1252	1328	1190	1190
	RL	L	\$897	941	936	992	889	889
	R		\$897	941	936	992	889	889
	U		\$1199	1258	1252	1328	1190	1190
	RT	L	\$897	941	936	992	889	889
	R		\$897	941	936	992	889	889
	U		\$1199	1258	1252	1328	1190	1190

Ambit™ Height Adjustable Table Screen, Thin Profile Fabric *continued*

		TC5424R	TC5430R	TC6024R	TC6030R	TC6624R	TC6630R
Y1150. MT	L	\$948	969	983	1016	1013	1057
	R	\$948	969	983	1016	1013	1057
	U	\$1267	1295	1314	1357	1355	1414
NL	L	\$948	969	983	1016	1013	1057
	R	\$948	969	983	1016	1013	1057
	U	\$1267	1295	1314	1357	1355	1414
NT	L	\$948	969	983	1016	1013	1057
	R	\$948	969	983	1016	1013	1057
	U	\$1267	1295	1314	1357	1355	1414
RL	L	\$948	969	983	1016	1013	1057
	R	\$948	969	983	1016	1013	1057
	U	\$1267	1295	1314	1357	1355	1414
RT	L	\$948	969	983	1016	1013	1057
	R	\$948	969	983	1016	1013	1057
	U	\$1267	1295	1314	1357	1355	1414

		TC7224R	TC7230R	TE4824R	TE4830R	TE5424R	TE5430R
Y1150. MT	L	\$1052	1110	966	966	1024	1045
	R	\$1052	1110	966	966	1024	1045
	U	\$1407	1484	1293	1293	1370	1398
NL	L	\$1052	1110	966	966	1024	1045
	R	\$1052	1110	966	966	1024	1045
	U	\$1407	1484	1293	1293	1370	1398
NT	L	\$1052	1110	966	966	1024	1045
	R	\$1052	1110	966	966	1024	1045
	U	\$1407	1484	1293	1293	1370	1398
RL	L	\$1052	1110	966	966	1024	1045
	R	\$1052	1110	966	966	1024	1045
	U	\$1407	1484	1293	1293	1370	1398
RT	L	\$1052	1110	966	966	1024	1045
	R	\$1052	1110	966	966	1024	1045
	U	\$1407	1484	1293	1293	1370	1398

		TE6024R	TE6030R	TE6624R	TE6630R	TE7224R	TE7230R
Y1150. MT	L	\$1059	1092	1090	1133	1129	1186
	R	\$1059	1092	1090	1133	1129	1186
	U	\$1417	1461	1458	1517	1510	1587
NL	L	\$1059	1092	1090	1133	1129	1186
	R	\$1059	1092	1090	1133	1129	1186
	U	\$1417	1461	1458	1517	1510	1587
NT	L	\$1059	1092	1090	1133	1129	1186
	R	\$1059	1092	1090	1133	1129	1186
	U	\$1417	1461	1458	1517	1510	1587
RL	L	\$1059	1092	1090	1133	1129	1186
	R	\$1059	1092	1090	1133	1129	1186
	U	\$1417	1461	1458	1517	1510	1587

		RT	L		1092	1090	1133	1129	1186
	R	\$1059	1092	1090	1133	1129	1186		
	U	\$1417	1461	1458	1517	1510	1587		

Step 9. Fabric		
Price Category 1		+\$0
Price Category 2		+\$31
Price Category 3		+\$71
Price Category 4		+\$134
Price Category 5		+\$220
Price Category B		+\$120
Price Category C		+\$160
Price Category E		+\$220

Step 10. Corner Cover Options		
<i>For mounted on top of work surface (for benching applications) (T)</i>		
8Q	folkstone grey	+\$0
91	white	+\$0
98	studio white	+\$0
BK	black	+\$0
CL	cool grey neutral	+\$0
DB3	glacier	+\$10
DN2	nightfall	+\$10
DR1	canyon	+\$10
G1	graphite	+\$0
OLF	olive	+\$10
WN	warm grey	+\$0

Step 11. Bracket Color Options		
<i>For mounted on top of work surface (for benching applications) (T)</i>		
MS	metallic silver	+\$0
8Q	folkstone grey	+\$0
91	white	+\$0
98	studio white	+\$0
BK	black	+\$0
G1	graphite	+\$0
WL	sandstone	+\$0
WN	warm grey neutral	+\$0
CN	metallic champagne	+\$10
DB3	glacier	+\$10
DN2	nightfall	+\$10
DR1	canyon	+\$10
OLF	olive	+\$10
SNA	satin aluminum	+\$10
SNB	satin bronze	+\$10
SNC	satin carbon	+\$10

Nevi™ Screens

Ambit™ Height Adjustable Table Screen, Thin Profile Fabric *continued*

Step 12. Screen Accessories		
NN	none	+\$0
NH	name tag holder (YT410)	+\$43
MB	24" painted metal markerboard (Y1124.DP)	+\$170
ML	30" painted metal markerboard (Y1124.DP)	+\$182
DM	24" writeable markerboard (Y1124.DM)	+\$238
DL	30" writeable markerboard (Y1124.DM)	+\$265

Step 13. Screen Accessory Finish		
----------------------------------	--	--

<i>For name tag holder (YT410) (NH)</i>		
MS	metallic silver	+\$0

For 24" painted metal markerboard (Y1124.DP) (MB), 30" painted metal markerboard (Y1124.DP) (ML), 24" writeable markerboard (Y1124.DM) (DM), or 30" writeable markerboard (Y1124.DM) (DL)

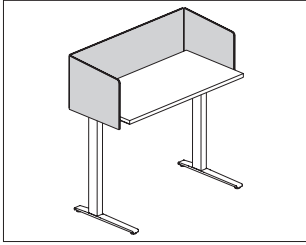
CN	metallic champagne	+\$0
MS	metallic silver	+\$0
SNA	satın aluminum	+\$10
SNB	satın bronze	+\$10
SNC	satın carbon	+\$10

For 24" painted metal markerboard (Y1124.DP) (MB), 30" painted metal markerboard (Y1124.DP) (ML), 24" writeable markerboard (Y1124.DM) (DM), or 30" writeable markerboard (Y1124.DM) (DL)

8Q	folkstone grey	+\$0
91	white	+\$0
98	studio white	+\$0
BK	black	+\$0
G1	graphite	+\$0
WL	sandstone	+\$0
WN	warm grey neutral	+\$0

Nevi™ Screens

Ambit™ Height Adjustable Table Y1155. Screen, PET

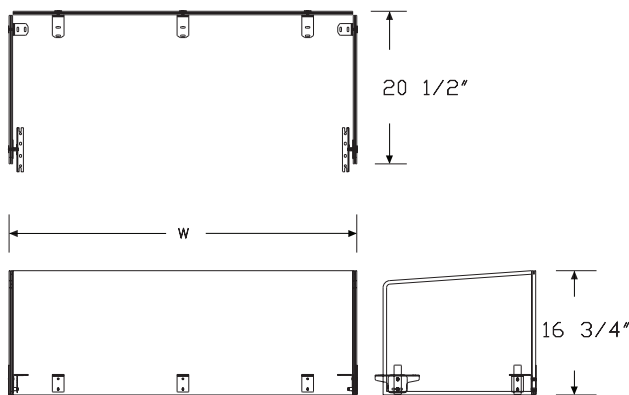


Product Information

Description

This surface-attached tackable screen attaches to an individual table, desk, or work surface. It has a frameless PET design with a flat edge and comes in privacy and modesty sizes. Attachment hardware included.

Dimensions



Specification Information

Step 1.

Y1155.

Step 2. Table Type

MT	Motia
NL	Nevi Link
NT	Nevi
RL	Renew Link
RT	Renew

Step 3. Application

For Motia (MT), Nevi (NT), or Renew (RT)

L	left hand return
R	right hand return
U	right and left return screen, U screen

For Nevi Link (NL) or Renew Link (RL)

L	left hand return
R	right hand return
U	right and left return screen, U screen

Step 4. Attachment Method

For Motia (MT), Nevi (NT), or Renew (RT) with left hand return (L), right hand return (R), or right and left return screen, U screen (U)

S	attached on outside of work surface (for use with freestanding table)
T	mounted on top of work surface (for benching applications)

For Nevi Link (NL) or Renew Link (RL) with left hand return (L), right hand return (R), or right and left return screen, U screen (U)

T	mounted on top of work surface (for benching applications)
----------	--

Step 5. Height

For attached on outside of work surface (for use with freestanding table) (S)

A	privacy (42" high)
B	privacy & modesty (42" high/10" below surface)
C	privacy (46" high)
D	privacy & modesty (46" high/10" below surface)

For mounted on top of work surface (for benching applications) (T)

A	privacy (42" high)
C	privacy (46" high)

Ambit™ Height Adjustable Table Screen, PET *continued*

Nevi™ Screens

Step 6. Width	
48	48" wide
54	54" wide
60	60" wide
66	66" wide
72	72" wide

Step 7. Table Depth	
24	24" deep
30	30" deep

Prices for Steps 1-7.

	SA4824	SA4830	SA5424	SA5430	SA6024	SA6030
Y1155. MT L	\$876	876	897	897	927	927
R	\$876	876	897	897	927	927
U	\$979	979	1051	1051	1082	1082
NT L	\$876	876	897	897	927	927
R	\$876	876	897	897	927	927
U	\$979	979	1051	1051	1082	1082
RT L	\$876	876	897	897	927	927
R	\$876	876	897	897	927	927
U	\$979	979	1051	1051	1082	1082

	SA6624	SA6630	SA7224	SA7230	SB4824	SB4830
Y1155. MT L	\$948	948	969	969	907	907
R	\$948	948	969	969	907	907
U	\$1185	1185	1494	1494	1185	1185
NT L	\$948	948	969	969	907	907
R	\$948	948	969	969	907	907
U	\$1185	1185	1494	1494	1185	1185
RT L	\$948	948	969	969	907	907
R	\$948	948	969	969	907	907
U	\$1185	1185	1494	1494	1185	1185

	SB5424	SB5430	SB6024	SB6030	SB6624	SB6630
Y1155. MT L	\$938	938	958	958	989	989
R	\$938	938	958	958	989	989
U	\$1236	1236	1288	1288	1494	1494
NT L	\$938	938	958	958	989	989
R	\$938	938	958	958	989	989
U	\$1236	1236	1288	1288	1494	1494
RT L	\$938	938	958	958	989	989
R	\$938	938	958	958	989	989
U	\$1236	1236	1288	1288	1494	1494

	SB7224	SB7230	SC4824	SC4830	SC5424	SC5430
Y1155. MT L	\$1010	1010	927	927	948	948
R	\$1010	1010	927	927	948	948
U	\$1568	1568	1236	1236	1288	1288
NT L	\$1010	1010	927	927	948	948
R	\$1010	1010	927	927	948	948
U	\$1568	1568	1236	1236	1288	1288
RT L	\$1010	1010	927	927	948	948
R	\$1010	1010	927	927	948	948
U	\$1568	1568	1236	1236	1288	1288

	SC6024	SC6030	SC6624	SC6630	SC7224	SC7230
Y1155. MT L	\$969	969	989	989	1010	1010
R	\$969	969	989	989	1010	1010
U	\$1339	1339	1442	1442	1545	1545
NT L	\$969	969	989	989	1010	1010
R	\$969	969	989	989	1010	1010
U	\$1339	1339	1442	1442	1545	1545
RT L	\$969	969	969	969	1010	1010
R	\$969	969	969	969	1010	1010
U	\$1339	1339	1442	1442	1545	1545

	SD4824	SD4830	SD5424	SD5430	SD6024	SD6030
Y1155. MT L	\$1334	1334	1345	1345	1391	1391
R	\$1334	1334	1345	1345	1391	1391
U	\$1442	1442	1545	1545	1648	1648
NT L	\$1334	1334	1345	1345	1391	1391
R	\$1334	1334	1345	1345	1391	1391
U	\$1442	1442	1545	1545	1648	1648
RT L	\$1334	1334	1345	1345	1391	1391
R	\$1334	1334	1345	1345	1391	1391
U	\$1442	1442	1545	1545	1648	1648

	SD6624	SD6630	SD7224	SD7230	TA4824	TA4830
Y1155. MT L	\$1448	1448	1551	1551	785	786
R	\$1448	1448	1551	1551	785	786
U	\$1854	1854	2060	2060	832	833
NL L	—	—	—	—	\$785	786
R	—	—	—	—	\$785	786
U	—	—	—	—	\$832	833
NT L	\$1447	1448	1551	1551	785	786
R	\$1448	1448	1551	1551	785	786
U	\$1854	1854	2060	2060	832	833
RL L	—	—	—	—	\$785	786
R	—	—	—	—	\$785	786
U	—	—	—	—	\$832	833

Ambit™ Height Adjustable Table Screen, PET *continued*

RT L	\$1448	1448	1551	1551	785	786
R	\$1448	1448	1551	1551	785	786
U	\$1854	1854	2060	2060	832	833

	TA5424	TA5430	TA6024	TA6030	TA6624	TA6630
Y1155. MT L	\$793	793	824	824	861	861
R	\$793	793	824	824	861	861
U	\$835	835	934	935	937	937
NL L	\$793	793	824	824	861	861
R	\$793	793	824	824	861	861
U	\$835	835	934	935	937	937
NT L	\$793	793	824	824	861	861
R	\$793	793	824	824	861	861
U	\$835	835	934	935	937	937
RL L	\$793	793	824	824	861	861
R	\$793	793	824	824	861	861
U	\$835	835	934	935	937	937
RT L	\$793	793	824	824	861	861
R	\$793	793	824	824	861	861
U	\$835	835	934	935	937	937

	TA7224	TA7230	TC4824	TC4830	TC5424	TC5430
Y1155. MT L	\$899	900	887	888	907	907
R	\$899	900	887	888	907	907
U	\$942	943	934	935	937	937
NL L	\$899	900	887	888	907	907
R	\$899	900	887	888	907	907
U	\$942	943	934	935	937	937
NT L	\$899	900	887	888	907	907
R	\$899	900	887	888	907	907
U	\$942	943	934	935	937	937
RL L	\$899	900	887	887	907	907
R	\$899	900	887	887	907	907
U	\$942	943	934	935	937	937
RT L	\$899	900	887	888	907	907
R	\$899	900	887	888	907	907
U	\$942	943	934	935	937	937

	TC6024	TC6030	TC6624	TC6630	TC7224	TC7230
Y1155. MT L	\$938	938	979	979	1048	1048
R	\$938	938	979	979	1048	1048
U	\$1102	1103	1105	1105	1264	1269
NL L	\$938	938	979	979	1048	1048
R	\$938	938	979	979	1048	1048
U	\$1102	1103	1105	1105	1269	1270

NT L	\$938	938	979	979	1048	1048
R	\$938	938	979	979	1048	1048
U	\$1102	1103	1105	1105	1264	1269
RL L	\$938	938	979	979	1048	1048
R	\$938	938	979	979	1048	1048
U	\$1102	1103	1105	1105	1269	1270
RT L	\$938	938	979	979	1048	1048
R	\$938	938	979	979	1048	1048
U	\$1102	1103	1105	1105	1264	1269

Step 8. Material		
PHN	heathered nightfall	+\$0
PHO	heathered olive	+\$0
PLG	cool heathered grey	+\$0

Step 9. Bracket Color Options		
<i>For mounted on top of work surface (for benching applications) (T)</i>		
98	studio white	+\$0
BK	black	+\$0
CRB	carbon	+\$0
DN2	nightfall	+\$10
OLF	olive	+\$10

Step 10. Screen Accessories		
MB	24" painted metal markerboard (Y1124.DP)	+\$170
NN	none	+\$0
NH	name tag holder (YT410)	+\$43
ML	30" painted metal markerboard (Y1124.DP)	+\$182
DM	24" writeable markerboard (Y1124.DM)	+\$238
DL	30" writeable markerboard (Y1124.DM)	+\$265

Step 11. Screen Accessory Finish		
<i>For name tag holder (YT410) (NH)</i>		
MS	metallic silver	+\$0

<i>For 24" painted metal markerboard (Y1124.DP) (MB), 30" painted metal markerboard (Y1124.DP) (ML), 24" writeable markerboard (Y1124.DM) (DM), or 30" writeable markerboard (Y1124.DM) (DL)</i>		
CN	metallic champagne	+\$0
MS	metallic silver	+\$0
SNA	satin aluminum	+\$10
SNB	satin bronze	+\$10
SNC	satin carbon	+\$10

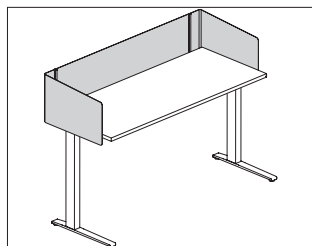
New!™ Screens

Ambit™ Height Adjustable Table Screen, PET *continued*

For 24" painted metal markerboard (Y1124.DP) (MB), 30" painted metal markerboard (Y1124.DP) (ML), 24" writeable markerboard (Y1124.DM) (DM), or 30" writeable markerboard (Y1124.DM) (DL)

8Q	folkstone grey	+\$0
91	white	+\$0
98	studio white	+\$0
BK	black	+\$0
G1	graphite	+\$0
WL	sandstone	+\$0
WN	warm grey neutral	+\$0

Ambit™ Height Adjustable Table Y1160. Screen, Metal



Product Information

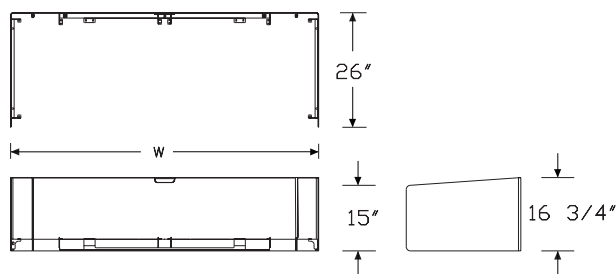
Description

This surface-attached screen attaches to the work surface of a freestanding table. It is painted metal and comes in privacy size. An optional magnetic screen liner is user-adjustable without tools. Screen attachment hardware included.

Notes

- Privacy panel actual width is 2" less than specified width.
- Privacy screen (A) top edge is 13" above top of work surface.
- Privacy screen (A) top edge aligns with the 42"-high Canvas datum line; bottom edge is 4" below work surface.
- Screens 54" wide and wider include an additional 1"-wide center mounting bracket.
- Attachment bracket finish is painted graphite.

Dimensions



Specification Information

Step 1.

Y1160.

Step 2. Table Type

- MT** Motia
- NT** Nevi
- RT** Renew

Step 3. Application

- U** right and left return screen, U screen

Step 4. Attachment Method

- S** attached on outside of work surface (for use with freestanding table)

Step 5. Height

- A** privacy (42" high)

Step 6. Width

- 48** 48" wide
- 54** 54" wide
- 60** 60" wide
- 66** 66" wide
- 72** 72" wide

Step 7. Table Depth

- 30** 30" deep

Step 8. Screen Liner

- M** magnetic liner
- N** none

Prices for Steps 1-8.

	SA4830M	SA4830N	SA5430M	SA5430N	SA6030M	SA6030N
Y1160. MT U	\$1415	800	1431	816	1449	834
NT U	\$1415	800	1431	816	1449	834
RT U	\$1415	800	1431	816	1449	834

	SA6630M	SA6630N	SA7230M	SA7230N
Y1160. MT U	\$1483	868	1624	1009
NT U	\$1483	868	1624	1009
RT U	\$1483	868	1624	1009

Ambit™ Height Adjustable Table

Screen, Metal *continued*

Nevi™ Screens

Step 9. Surface Finish		
CN	metallic champagne	+\$0
MS	metallic silver	+\$0
SNA	satin aluminum	+\$60
SNB	satin bronze	+\$60
SNC	satin carbon	+\$60
8Q	folkstone grey	+\$0
91	white	+\$0
98	studio white	+\$0
BK	black	+\$0
DB3	glacier	+\$50
DN2	nightfall	+\$50
DR1	canyon	+\$50
G1	graphite	+\$0
OLF	olive	+\$50
WL	sandstone	+\$0
WN	warm grey neutral	+\$0

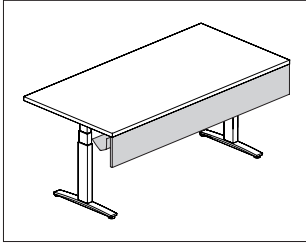
Step 10. Magnetic Screen Liner Finish		
<i>For magnetic liner (M)</i>		
Price Category 4		+\$0

Step 11. Screen Accessories		
NH	name tag holder (YT410)	+\$39
NN	none	+\$0

Step 12. Screen Accessory Finish		
<i>For name tag holder (YT410) (NH)</i>		
MS	metallic silver	+\$0

Modesty Panel

Y1113.



Product Information

Description

This modesty panel attaches to a table, desk, peninsula, or work surface. It has a solid MDF core with a laminate or veneer surface, aluminum top rail and attachment brackets. Cable trough is optional. Attachment hardware included.

Notes

Specify modesty panel to be equal to surface width, or 6" less than surface width of a height adjustable table.

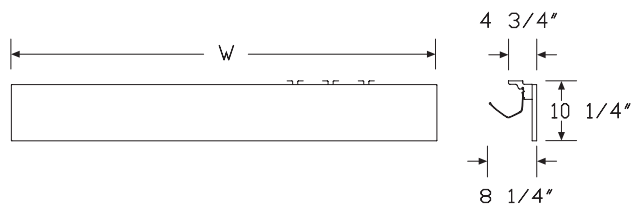
Modesty panel dimension is approximately 10" high with width specified in step 1. Actual width 1/4" less than specified value.

Modesty panel is field installed.

Brackets are located to work with Connect™ 2-circuit power system.

Modesty panel (Y1113.) may impede ideal folding functionality of flip top table (DT5Ax.). For use with flip top table, modesty panel (Y1114.) is recommended. It comes only with a fabric surface.

Dimensions



Specification Information

Step 1.

Y1113.

Step 2. Width

24	24" wide
30	30" wide
36	36" wide
42	42" wide
48	48" wide
54	54" wide
60	60" wide
66	66" wide
72	72" wide

Step 3. Cable Trough

N	without added cable trough
Y	with added cable trough

Step 4. Surface Material

L	thermally-fused laminate top/thermoplastic edge
W	veneer top/veneer edge

Prices for Steps 1-4.

	L	W
Y1113. 24 N	\$267	472
Y	\$474	699
30 N	\$291	529
Y	\$537	800
36 N	\$317	587
Y	\$583	880
42 N	\$343	645
Y	\$641	972
48 N	\$368	705
Y	\$700	1068
54 N	\$396	764
Y	\$761	1160
60 N	\$421	820
Y	\$820	1252
66 N	\$421	877
Y	\$879	1345
72 N	\$455	935
Y	\$936	1437

Step 5. Finish

For thermally-fused laminate top/thermoplastic edge (L)

76	light brown walnut	+\$0
8Q	folkstone grey	+\$0
91	white	+\$0
98	studio white	+\$0
CL	cool grey neutral	+\$0
G1	graphite	+\$0
HM	natural maple	+\$0
HP	light anigre	+\$0
HX	aged cherry	+\$0
LBA	clear on ash	+\$0
LBB	oak on ash	+\$0
LBC	walnut on ash	+\$0
LBF	neutral twill	+\$0
LBJ	graphite twill	+\$0
LBQ	white twill	+\$0
LBR	phantom ecru	+\$0
LBS	phantom cocoa	+\$0
LBU	medium matte walnut	+\$0
LBV	warm grey teak	+\$0
LU	soft white	+\$0
WL	sandstone	+\$0
WN	warm grey neutral	+\$0

For veneer top/veneer edge (W)

2U	light brown walnut	+\$0
40	dark brown walnut	+\$0
UL	natural maple	+\$0

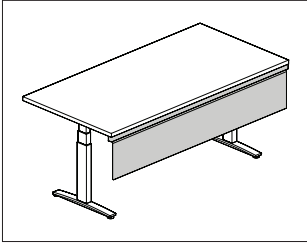
Step 6. Edge Finish

For thermally-fused laminate top/thermoplastic edge (L)

76	light brown walnut	+\$0
8Q	folkstone grey	+\$0
91	white	+\$0
98	studio white	+\$0
BU	black umber	+\$0
CL	cool grey neutral	+\$0
G2	graphite satin	+\$0
HF	inner tone light	+\$0
HM	natural maple	+\$0
HP	light anigre	+\$0
HX	aged cherry	+\$0
LBA	clear on ash	+\$0
LBB	oak on ash	+\$0
LBC	walnut on ash	+\$0
LBF	neutral twill	+\$0
LBJ	graphite twill	+\$0
LBQ	white twill	+\$0
LBR	phantom ecru	+\$0
LBS	phantom cocoa	+\$0
LBU	medium matte walnut	+\$0
LBV	warm grey teak	+\$0
LU	soft white	+\$0
WL	sandstone	+\$0
WN	warm grey neutral	+\$0

Fabric Modesty Panel

Y1114.



Product Information

Description

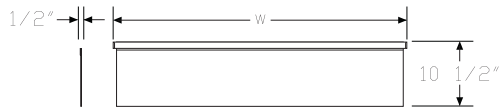
This modesty panel attaches to a table, desk, peninsula, or work surface. It has a fabric surface with aluminum top rail and attachment brackets. Attachment hardware included.

Notes

Specify modesty panel to be equal to surface width, or 6" less than surface width of a height adjustable table.

For use with flip top table (DT5Ax.), modesty panel (Y1114.) is recommended to enable optimal folding functionality of the table.

Dimensions



Specification Information

Step 1.

Y1114. A

Step 2. Width

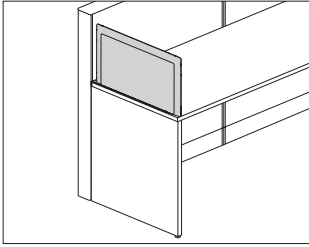
- 24** 24" wide A
- 30** 30" wide A
- 36** 36" wide A
- 42** 42" wide A
- 48** 48" wide A
- 54** 54" wide A
- 60** 60" wide A
- 66** 66" wide A
- 72** 72" wide A

Prices for Steps 1-2.

Y1114. 24	\$243
30	\$266
36	\$288
42	\$304
48	\$324
54	\$364
60	\$383
66	\$404
72	\$420

Step 3. Fabric

Price Category 4 +\$28



Product Information

Description

This tackable fabric screen attaches to a work surface either at the seam or at the right or left edge to provide division and boundary between workers. It attaches with no interference from supports below the work surface. Attachment hardware included.

Notes

Screen height is 13¹/₂" or 17¹/₂" above work surface, aligning with bead heights of 41" and 45".

Screen width matches work surface depths that have a 1" gap at the back edge.

2 attachment methods ship with the end-of-run right handed (CR) and end-of-run left handed (CL) screen. The screen can be installed using the bracket, or using threaded screws that drill bayonets directly into the surface. See planning guide for exact location of holes.

End-of-run screen does not work on Canvas Beam.

See planning guide for applications and other compatible product lines.

Screen accepts Customer's Own Material (COM). Yardage is estimated for nondirectional 54"-wide fabrics.

For vertical fabric direction (T):

Height—Yardage

42—1.19

46—1.45

For horizontal fabric direction (R):

Width—Yardage

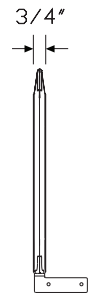
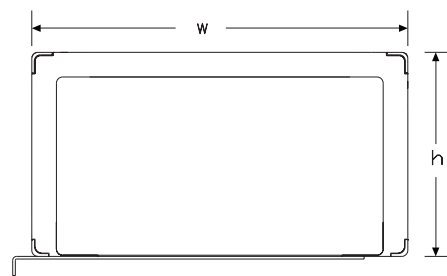
24—0.90

30—1.10

36—1.30

For information on multiple quantities or directional fabrics, contact COM Department. See Order Information in Appendices.

Dimensions



Specification Information

Step 1.

FT354.

Step 2. Attachment Type

CL Canvas Surface Attached, End of Run Left Handed

CR Canvas Surface Attached, End of Run Right Handed

Step 3. Height

42 42" high

46 46" high

Step 4. Width

24 24" wide

30 30" wide

36 36" wide

Step 5. Surface Material

R tackable fabric, horizontal

T tackable fabric

Prices for Steps 1-5.

	24R	24T	30R	30T	36R	36T
FT354. CL 42	\$1105	1105	1143	1143	1176	1176
46	\$1163	1163	1208	1208	1256	1256
CR 42	\$1105	1105	1143	1143	1176	1176
46	\$1163	1163	1208	1208	1256	1256

Step 6. Bracket Finish

8Q folkstone grey +\$0

91 white +\$0

98 studio white +\$0

BK black +\$0

G1 graphite +\$0

SNA satin aluminum +\$10

SNB satin bronze +\$10

SNC satin carbon +\$10

WL sandstone +\$0

WN warm grey neutral +\$0

Step 7. Fabric

Price Category 1 +\$0

Price Category 2 +\$20

Price Category 3 +\$48

Price Category 4 +\$84

Price Category 5 +\$102

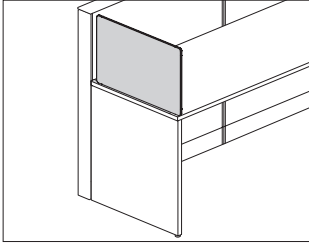
Price Category B +\$378

Price Category C +\$128

Price Category E +\$203

Flat Edge Screen, Delineation

FT358.



Product Information

Description

This tackable fabric screen attaches to a work surface at the right or left edge to provide division and boundary between workers. It attaches with no interference from supports below the work surface. Attachment hardware included.

Notes

Screen height is 13¹/₂" or 17¹/₂" above work surface, aligning with bead heights of 41" and 45".

Screen width matches work surface depths that have a 1" gap at the back edge.

2 attachment methods ship with the end-of-run right handed (CR) and end-of-run left handed (CL) screen. The screen can be installed using the bracket, or using threaded screws that drill bayonets directly into the surface. See planning guide for exact location of holes.

End-of-run screen does not work on Canvas Beam.

See planning guide for applications and other compatible product lines.

Screen accepts Customer's Own Material (COM). Yardage is estimated for nondirectional 54"-wide fabrics.

For vertical fabric direction (T):

Height—Yardage

42—1.19

46—1.45

For horizontal fabric direction (R):

Width—Yardage

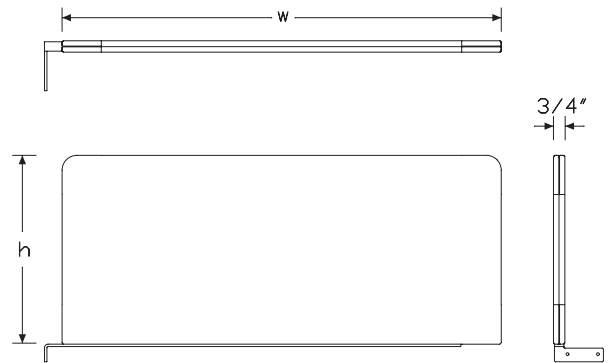
24—0.90

30—1.10

36—1.30

For information on multiple quantities or directional fabrics, contact COM Department. See Order Information in Appendices.

Dimensions



Flat Edge Screen, Delineation

continued

Specification Information

Step 1.

FT358.

Step 2. Attachment Type

CL Canvas Surface Attached, End of Run Left Handed

CR Canvas Surface Attached, End of Run Right Handed

Step 3. Height

42 42" high

46 46" high

Step 4. Width

24 24" wide

30 30" wide

36 36" wide

Step 5. Surface Material

R tackable fabric, horizontal

T tackable fabric

Prices for Steps 1-5.

	24R	24T	30R	30T	36R	36T
FT358. CL 42	\$685	685	724	724	738	738
46	\$745	745	789	789	816	816
CR 42	\$685	685	724	724	738	738
46	\$745	745	789	789	816	816

Step 6. Bracket Finish

8Q folkstone grey +\$0

91 white +\$0

98 studio white +\$0

BK black +\$0

G1 graphite +\$0

SNA satin aluminum +\$10

SNB satin bronze +\$10

SNC satin carbon +\$10

WL sandstone +\$0

WN warm grey neutral +\$0

Step 7. Fabric

Price Category 1 +\$0

Price Category 2 +\$20

Price Category 3 +\$48

Price Category 4 +\$84

Price Category 5 +\$140

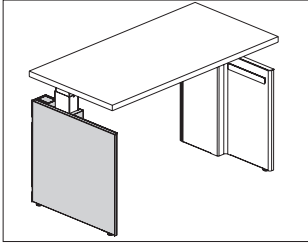
Price Category B +\$68

Price Category C +\$122

Price Category E +\$203

Ambit™ Height Adjustable Table Leg Shroud

DV8SM.
DV8SN.
DV8SR.



Product Information

Description

This shroud stands on the floor and replaces the foot of the table. Shroud is available in all-metal, metal wrapper with laminate exterior panel, or metal wrapper with veneer exterior panel. A shroud can be added to one or both legs of a C-leg height-adjustable table. An optional tool rail can be specified.

Notes

Optional tool rail is not retrofittable.

Shroud is retrofittable to existing height-adjustable tables.

Distance between top of shroud and bottom of standard height-adjustable table range is 3.94".

Shroud not compatible with extended range height-adjustable tables.

Cable knockout at top-rear of shroud has bezel available in 3 colors.

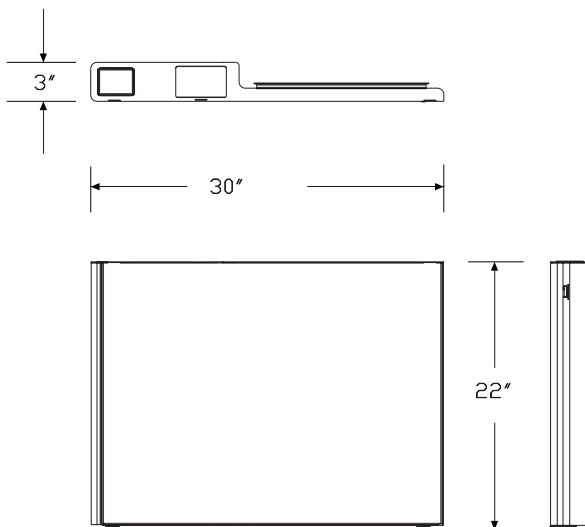
Cord cutout at bottom-rear of shroud can route up to 4 cords.

Order optional accessories together or separately:

- Bag hook (YT700.)
- Accessory shelf (YT715.)
- Vertical cable manager (DU16.)

See planning guide for additional information.

Dimensions



Specification Information

Step 1.

DV8S

Step 2. Table Type

- M.** Motia®
- N.** Nevi
- R.** Renew™

Step 3. Leg Type

- C** C-leg

Step 4. Depth

- 24** 24" deep (23" surface size)
- 30** 30" deep (29" surface size)

Step 5. Mechanism

- E** electric standard range

Step 6. Shroud Location

- L** left
- R** right

Step 7. Shroud Option Left

For left (L)

- SL** high-pressure laminate panel + metal wrapper
- SM** all metal
- SW** veneer panel + metal wrapper

Step 8. Shroud Option Right

For right (R)

- SL** high-pressure laminate panel + metal wrapper
- SM** all metal
- SW** veneer panel + metal wrapper

Ambit™ Height Adjustable Table

Leg Shroud *continued*

Prices for Steps 1-8.

Step 9. Shroud Finish Left - Metal Wrapper

Metallic Paint

For all metal (SM)

CN	metallic champagne	+\$0
MS	metallic silver	+\$0
SNA	satin aluminum	+\$30
SNB	satin bronze	+\$30
SNC	satin carbon	+\$30

Sand Texture Paint

For all metal (SM)

8Q	folkstone grey	+\$0
91	white	+\$0
98	studio white	+\$0
BK	black	+\$0
G1	graphite	+\$0
WL	sandstone	+\$0
WN	warm grey neutral	+\$0
DB3	glacier	+\$20
DN2	nightfall	+\$20
DR1	canyon	+\$20
OLF	olive	+\$20

Laminate

For high-pressure laminate panel + metal wrapper (SL)

76	light brown walnut	+\$0
8Q	folkstone grey	+\$0
91	white	+\$0
98	studio white	+\$0
BU	black umber	+\$0
CL	cool grey neutral	+\$0
HF	inner tone light	+\$0
HM	natural maple	+\$0
HP	light anigre	+\$0
HX	aged cherry	+\$0
LBA	clear on ash	+\$0
LBB	oak on ash	+\$0
LBC	walnut on ash	+\$0
LBF	neutral twill	+\$0
LBJ	graphite twill	+\$0
LBQ	white twill	+\$0
LBR	phantom ecru	+\$0
LBS	phantom cocoa	+\$0
LBU	medium matte walnut	+\$0
LBV	warm grey teak	+\$0
LT	light tone	+\$0
LU	soft white	+\$0
OG	honey maple	+\$0
WL	sandstone	+\$0
WN	warm grey neutral	+\$0

Wood Veneer

For veneer panel + metal wrapper (SW)

2U	light brown walnut	+\$0
40	dark brown walnut	+\$0
ET	clear on ash	+\$0
EU	oak on ash	+\$0
EV	walnut on ash	+\$0
EW	medium matte walnut	+\$0
OU	walnut	+\$0
UL	natural maple	+\$0

Ambit™ Height Adjustable Table Leg Shroud *continued*

Ambit™ Shroud

Step 10. Edge Finish Left		
<i>For high-pressure laminate panel + metal wrapper (SL)</i>		
76	light brown walnut	+\$0
8Q	folkstone grey	+\$0
91	white	+\$0
98	studio white	+\$0
BU	black umber	+\$0
CL	cool grey neutral	+\$0
HF	inner tone light	+\$0
HM	natural maple	+\$0
HP	light anigre	+\$0
HT	inner tone (discontinuing)	+\$0
HX	aged cherry	+\$0
LBA	clear on ash	+\$0
LBB	oak on ash	+\$0
LBC	walnut on ash	+\$0
LBF	neutral twill	+\$0
LBJ	graphite twill	+\$0
LBQ	white twill	+\$0
LBR	phantom ecru	+\$0
LBS	phantom cocoa	+\$0
LBU	medium matte walnut	+\$0
LBV	warm grey teak	+\$0
LU	soft white	+\$0
MT	medium tone	+\$0
WL	sandstone	+\$0
WN	warm grey neutral	+\$0

Step 11. Shroud Finish Left		
<i>For high-pressure laminate panel + metal wrapper (SL) or veneer panel + metal wrapper (SW)</i>		
Metallic Paint		
CN	metallic champagne	+\$0
MS	metallic silver	+\$0
SNA	satin aluminum	+\$30
SNB	satin bronze	+\$30
SNC	satin carbon	+\$30

Sand Texture Paint		
8Q	folkstone grey	+\$0
91	white	+\$0
98	studio white	+\$0
BK	black	+\$0
G1	graphite	+\$0
WL	sandstone	+\$0
WN	warm grey neutral	+\$0
DB3	glacier	+\$20
DN2	nightfall	+\$20
DR1	canyon	+\$20
OLF	olive	+\$20

Step 12. Shroud Cable Management Bezel Left		
<i>For left (L) with high-pressure laminate panel + metal wrapper (SL), all metal (SM), or veneer panel + metal wrapper (SW)</i>		
8Q	folkstone grey	+\$0
98	studio white	+\$0
BK	black	+\$0

Step 13. Shroud Finish Right - Metal Wrapper		
Metallic Paint		
<i>For all metal (SM)</i>		
CN	metallic champagne	+\$0
MS	metallic silver	+\$0
SNA	satin aluminum	+\$30
SNB	satin bronze	+\$30
SNC	satin carbon	+\$30

Sand Texture Paint		
<i>For all metal (SM)</i>		
8Q	folkstone grey	+\$0
91	white	+\$0
98	studio white	+\$0
BK	black	+\$0
G1	graphite	+\$0
WL	sandstone	+\$0
WN	warm grey neutral	+\$0
DB3	glacier	+\$20
DN2	nightfall	+\$20
DR1	canyon	+\$20
OLF	olive	+\$20

Ambit™ Height Adjustable Table Leg Shroud *continued*

For high-pressure laminate panel + metal wrapper (SL)

76	light brown walnut	+\$0
8Q	folkstone grey	+\$0
91	white	+\$0
98	studio white	+\$0
BU	black umber	+\$0
CL	cool grey neutral	+\$0
HF	inner tone light	+\$0
HM	natural maple	+\$0
HP	light anigre	+\$0
HX	aged cherry	+\$0
LBA	clear on ash	+\$0
LBB	oak on ash	+\$0
LBC	walnut on ash	+\$0
LBF	neutral twill	+\$0
LBJ	graphite twill	+\$0
LBQ	white twill	+\$0
LBR	phantom ecru	+\$0
LBS	phantom cocoa	+\$0
LBU	medium matte walnut	+\$0
LBV	warm grey teak	+\$0
LT	light tone	+\$0
LU	soft white	+\$0
OG	honey maple	+\$0
WL	sandstone	+\$0
WN	warm grey neutral	+\$0

Wood Veneer

For veneer panel + metal wrapper (SW)

2U	light brown walnut	+\$0
40	dark brown walnut	+\$0
ET	clear on ash	+\$0
EU	oak on ash	+\$0
EV	walnut on ash	+\$0
EW	medium matte walnut	+\$0
OU	walnut	+\$0
UL	natural maple	+\$0

Step 14. Edge Finish Right

For high-pressure laminate panel + metal wrapper (SL)

76	light brown walnut	+\$0
8Q	folkstone grey	+\$0
91	white	+\$0
98	studio white	+\$0
BU	black umber	+\$0
CL	cool grey neutral	+\$0
HF	inner tone light	+\$0
HM	natural maple	+\$0
HP	light anigre	+\$0
HT	inner tone (discontinuing)	+\$0
HX	aged cherry	+\$0
LBA	clear on ash	+\$0
LBB	oak on ash	+\$0
LBC	walnut on ash	+\$0
LBF	neutral twill	+\$0
LBJ	graphite twill	+\$0
LBQ	white twill	+\$0
LBR	phantom ecru	+\$0
LBS	phantom cocoa	+\$0
LBU	medium matte walnut	+\$0
LBV	warm grey teak	+\$0
LU	soft white	+\$0
MT	medium tone	+\$0
WL	sandstone	+\$0
WN	warm grey neutral	+\$0

Step 15. Shroud Finish Right

For high-pressure laminate panel + metal wrapper (SL) or veneer panel + metal wrapper (SW)

Metallic Paint

CN	metallic champagne	+\$0
MS	metallic silver	+\$0
SNA	satin aluminum	+\$30
SNB	satin bronze	+\$30
SNC	satin carbon	+\$30

Ambit™ Height Adjustable Table Leg Shroud *continued*

Ambit™ Shroud

Sand Texture Paint		
8Q	folkstone grey	+\$0
91	white	+\$0
98	studio white	+\$0
BK	black	+\$0
G1	graphite	+\$0
WL	sandstone	+\$0
WN	warm grey neutral	+\$0
DB3	glacier	+\$20
DN2	nightfall	+\$20
DR1	canyon	+\$20
OLF	olive	+\$20

Step 16. Shroud Cable Management Bezel Right <i>For right (R) with high-pressure laminate panel + metal wrapper (SL), all metal (SM), or veneer panel + metal wrapper (SW)</i>		
8Q	folkstone grey	+\$0
98	studio white	+\$0
BK	black	+\$0

Step 17. Tool Rail Left <i>For left (L) with high-pressure laminate panel + metal wrapper (SL), all metal (SM), or veneer panel + metal wrapper (SW)</i>		
1	none	+\$0
2	Ubi work tool attached	+\$95

Step 18. Accessory Options Left <i>For 30" deep (29" surface size) (30) with left (L) with Ubi work tool attached (2)</i>		
A	None	+\$0
B	YT700 - bag hook	+\$55
D	YT715 - small accessory shelf	+\$81
C	YT716 - document holder	+\$0
F	YT715 - sm. shelf with canyon liner	+\$138
G	YT715 - sm. shelf with pesto liner	+\$138
H	YT715 - sm. shelf with bayou liner	+\$138
I	YT715 - sm. shelf with greystone liner	+\$138
J	YT715 - sm. shelf with charcoal liner	+\$138
E	YT715 - large accessory shelf - no liner	+\$187
K	YT715 - lg. shelf with canyon liner	+\$297
L	YT715 - lg. shelf with pesto liner	+\$297
M	YT715 - lg. shelf with bayou liner	+\$297
N	YT715 - lg. shelf with greystone liner	+\$297
O	YT715 - lg. shelf with charcoal liner	+\$297

For 24" deep (23" surface size) (24) with left (L) with Ubi work tool attached (2)		
A	None	+\$0
B	YT700 - bag hook	+\$55
D	YT715 - small accessory shelf	+\$81
F	YT715 - sm. shelf with canyon liner	+\$138

Step 19. Accessory Options Left Finish <i>For YT700 - bag hook (B), YT715 - small accessory shelf (D), YT715 - sm. shelf with canyon liner (F), YT715 - sm. shelf with pesto liner (G), YT715 - sm. shelf with bayou liner (H), YT715 - sm. shelf with greystone liner (I), YT715 - sm. shelf with charcoal liner (J), YT715 - large accessory shelf - no liner (E), YT715 - lg. shelf with canyon liner (K), YT715 - lg. shelf with pesto liner (L), YT715 - lg. shelf with bayou liner (M), YT715 - lg. shelf with greystone liner (N), or YT715 - lg. shelf with charcoal liner (O)</i>		
91	white	+\$0
98	studio white	+\$0
BK	black	+\$0
G1	graphite	+\$0
MS	metallic silver	+\$0

Step 20. Tool Rail Right <i>For right (R) with high-pressure laminate panel + metal wrapper (SL), all metal (SM), or veneer panel + metal wrapper (SW)</i>		
1	none	+\$0
2	Ubi work tool attached	+\$95

Step 21. Accessory Options Right <i>For 30" deep (29" surface size) (30) with right (R) with Ubi work tool attached (2)</i>		
A	None	+\$0
B	YT700 - bag hook	+\$55
D	YT715 - small accessory shelf	+\$81
C	YT716 - document holder	+\$0
F	YT715 - sm. shelf with canyon liner	+\$138
G	YT715 - sm. shelf with pesto liner	+\$138
H	YT715 - sm. shelf with bayou liner	+\$138
I	YT715 - sm. shelf with greystone liner	+\$138
J	YT715 - sm. shelf with charcoal liner	+\$138
E	YT715 - large accessory shelf - no liner	+\$187
K	YT715 - lg. shelf with canyon liner	+\$297
L	YT715 - lg. shelf with pesto liner	+\$297
M	YT715 - lg. shelf with bayou liner	+\$297
N	YT715 - lg. shelf with greystone liner	+\$297
O	YT715 - lg. shelf with charcoal liner	+\$297

Ambit™ Height Adjustable Table

Leg Shroud *continued*

For 24" deep (23" surface size) (24) with right (R) with Ubi work tool attached (2)

A	None	+\$0
B	YT700 - bag hook	+\$55
D	YT715 - small accessory shelf	+\$81
F	YT715 - sm. shelf with canyon liner	+\$138

Step 22. Accessory Options Right Finish

For YT700 - bag hook (B), YT715 - small accessory shelf (D), YT715 - sm. shelf with canyon liner (F), YT715 - sm. shelf with pesto liner (G), YT715 - sm. shelf with bayou liner (H), YT715 - sm. shelf with greystone liner (I), YT715 - sm. shelf with charcoal liner (J), YT715 - large accessory shelf - no liner (E), YT715 - lg. shelf with canyon liner (K), YT715 - lg. shelf with pesto liner (L), YT715 - lg. shelf with bayou liner (M), YT715 - lg. shelf with greystone liner (N), or YT715 - lg. shelf with charcoal liner (O)

91	white	+\$0
98	studio white	+\$0
BK	black	+\$0
G1	graphite	+\$0
MS	metallic silver	+\$0

Step 23. Vertical Cable Management

1	none	+\$0
3	shroud attached	+\$156

Step 24. Vertical Cable Management Attachment

For shroud attached (3)

2	worksurface connected	+\$0
3	horizontal cable trough connected	+\$0

Step 25. Vertical Cable Management Finish

BK	black	+\$0
SY	silver grey	+\$0

Index by Product Name

Nevi™ Sit-to-Stand Tables	
Ambit™ Height Adjustable Table Leg Shroud	page(s) 52
Ambit™ Height Adjustable Table Screen, Metal	43
Ambit™ Height Adjustable Table Screen, PET	39
Ambit™ Height Adjustable Table Screen, Thin Profile Fabric	32
Ambit™ Suspended Storage	15
Cable Management Channel	18
Cable Management Trough	19
Easy Access Height-Adjustable Vertical Cable Manager	21
External Cable Manager	17
Fabric Modesty Panel	47
Flat Edge Screen, Delineation	50
Height-Adjustable Vertical Cable Manager	20
Laminate Screen, Surface Attached	30
Modesty Panel	45
Pari Screen, Delineation	48
Pari Screen, Height Adjustable Tables	22
Personal Side Screen	25
Personal Side Screen, Rectangular	29
Rectangle Table with C-Foot	5
Rectangle Table with T-Foot	9
Surface-Attached Screen, Flat Edge	26
Table Base Kit - 2 Legs	13



Index by Product Number



DU11B. External Cable Manager	page(s) 17
DU11S.	
DU15B. Height-Adjustable Vertical Cable Manager	20
DU15S.	
DU16B. Easy Access Height-Adjustable Vertical Cable Manager	21
DU16S.	
DV8SM. Ambit™ Height Adjustable Table Leg Shroud	52
DV8SN.	
DV8SR.	
DW6ACS Rectangle Table with C-Foot	5
DW6ATS Rectangle Table with T-Foot	9
DW7A. Table Base Kit - 2 Legs	13
FT19C. Cable Management Channel	18
FT199. Cable Management Trough	19
FT354. Pari Screen, Delineation	48
FT358. Flat Edge Screen, Delineation	50
IH200. Ambit™ Suspended Storage	15
Y1113. Modesty Panel	45
Y1114. Fabric Modesty Panel	47
Y1116. Pari Screen, Height Adjustable Tables	22
Y1117. Personal Side Screen	25
Y1118. Surface-Attached Screen, Flat Edge	26
Y1119. Personal Side Screen, Rectangular	29
Y1120. Laminate Screen, Surface Attached	30
Y1150. Ambit™ Height Adjustable Table Screen, Thin Profile	
Fabric	32
Y1155. Ambit™ Height Adjustable Table Screen, PET	39
Y1160. Ambit™ Height Adjustable Table Screen, Metal	43



20-Day or Less/Assigned Lead-Time Order Information

20-Day or Less and Assigned Lead-Time Programs

20-day or less and assigned lead-time products are designed for established Herman Miller dealers with pre-approved credit.

Products are distributed from multiple manufacturing facilities across the United States. All products and options not designated by an Assigned Lead-Time icon  will ship in 20 business days or less after being acknowledged by Herman Miller. Products and options designated by an  are on the assigned lead-time program and will ship in 20 days, less than 20 days, or more than 20 days from order acknowledgement.

Ordering Procedure

Please place orders through Order Manager. If this is not available to you, place orders through mail or fax. Verbal purchase orders will not be accepted.

Order Entry fax number for Meridian®

Filing and Storage: (616) 846 9236.

Order Entry fax number for all other products:

(616) 654 3085.

For more information, contact your Customer Care representative at:
(866) 854 3048 ext 3400.

Shipments and Delivery

Per Herman Miller Terms and Conditions.

Changes and Cancellation

Per Herman Miller Terms and Conditions.

For more information about our products and services or to see a list of dealers, please visit us at HermanMiller.com or call (800) 851 1196.

© 2024 Herman Miller, Inc., Zeeland, Michigan

Distribution Rights

Working together since 1956, Herman Miller and Vitra are the authentic sources of designs by Charles and Ray Eames, Alexander Girard, and George Nelson. All the designs shown in this book are protected by law. Herman Miller has obtained all rights to make and sell these designs. Also, Herman Miller holds exclusive worldwide manufacturing and distribution rights for these products with the following exceptions:

Charles and Ray Eames, George Nelson, and Alexander Girard—Worldwide distribution rights for furniture in all areas except Europe and the Middle East. For those areas, please contact Vitra.

Isamu Noguchi—Worldwide distribution rights for the Noguchi Rudder Table. Distribution rights for the Noguchi Table in North America and Central America only. For all other areas, please contact Vitra.

Magis—Exclusive distribution rights in the US and Canada. For all other areas, please contact Magis.

© **HermanMiller**, 3D Intelligent, 8Z Pellicle, AO, Action Office, Aeron, Aside, Bubble Lamps, Canvas Office Landscape, Caper, Celle, Cosm, Co/Struc, Daisyone, Distil, Eames, Eco-Dematerialized, Embody, Envelop, Ethospace, Exclave, Fine-Tune, FlexFront, Flo, Formcoat, Formwork, Ground Cloth, Intent, Kinemat, Layout Studio, Lino, Live Unframed, Living Office, Maharam, Meridian, Mirra, Motia, Nelson, Pari, Pellicle, Perspectives, Plex, PostureFit, PostureFit SL, Public Office Landscape, Sayl, Setu, Striad, Tu, Ubi, Verus, Wishbone, Y-Tower and Zeph are among the registered trademarks of Herman Miller, Inc., and its owned subsidiaries.

™ About Face, AireWeave, Airia, Ambit, Asari Chair by HermanMiller, Backfit, Bublelactack, Burdick Group, Butterfly Back, Canvas Vista, Cellular Suspension, Commend, Compass, Connect, DOT, Duracare, Durawrap, EnhancedAccess, Everywhere, Flex-Edge, Flute, Harmonic, Headway, Herman Miller Select, Hopsak 2, Iota, Keyless Entry, Latitude, Logic Mini, Logic Power Access Solutions, Lyris, Lyris 2, Made-to-Measure Storage, Mora, Multiscrim, Nevi, OE1, OE1 Workspace Collection, Overlay, Pixelated Support, Pronta, Renew, Sense, Soft Pad, Stackable, Stackable Storage, Swoop, Thrive, Tone, TriFlex, Twist and Wireframe are among the trademarks of Herman Miller, Inc., and its owned subsidiaries.

SM Herman Miller Options is among the service marks of Herman Miller, Inc.

AAP™ is a trademark of Extron Electronics.

Alexander Girard® is a registered trademark of The Alexander Girard Estate.

Chemsurf® is a registered trademark of Wilsonart International.

Corian® is a registered trademark of E. I. du Pont de Nemours and Company Corporation.

Crypton® is a registered trademark of Crypton, Inc.

DACRON® is a registered trademark of INVISTA S.a r.l.

Danzer® is a registered trademark of Danzer Holding AG.

Decora® is a registered trademark of Leviton Manufacturing Co., Inc.

Edelman® Leather is a registered trademark of Edelman Leather, Inc.

Extron® is a registered trademark of RGB Systems, Inc.

FENIX NTM® is a registered trademark of Arpa Industriale S.p.A.

FLEXNET™ is a trademark of Milliken & Company.

Floor Saver Glide® is a registered trademark of Carpin Manufacturing, Inc.

Forest Stewardship Council® is a registered trademark of the Forest Stewardship Council A.C. (FSC). We are FSC® certified (FSC® C102895).

FSC® is a registered trademark of the Forest Stewardship Council A.C. (FSC).

Geiger® is a registered trademark, and Bumper™, Saiba™, and Ward Bennett™ are trademarks, of Geiger International.

Hang-It-All® is a registered trademark of Lucia Eames Demetrios, d.b.a. Eames Office.

Holophane® is a registered trademark of Holophane.

Ingeo™ is a trademark of Cargill Dow LLC.

iPad® and Mac mini® are registered trademarks of Apple Inc.

Leviton® is a registered trademark of Leviton Manufacturing Co., Inc.

LifeSize® is a registered trademark of LifeSize Communications, Inc.

Logitech G® is a registered trademark of Logitech International S.A.

Magis®, Bombo®, and Me Too® are registered trademarks of Magis S.p.A.

MicrobeCare™ is a trademark of Parasol Medical LLC.

Microsoft® and Natural® Keyboard are registered trademarks of Microsoft Corporation.

Noguchi® and the Noguchi table configuration (trade dress) are registered trademarks, and Rudder Table™ is a trademark, of The Isamu Noguchi Foundation and Garden Museum.

Place Textiles® is a registered trademark of Place Textiles.

Sunbrella® is a registered trademark of Glen Raven, Inc.

SuperSeat™ is a trademark of Dahti Seating, a division of ITW.

Valor™ is among the trademarks owned by Nemschoff, Inc.