

FIRSTLIGHT

TECHNOLOGIES

Making Solar Lighting Simple™



WLB Series Solar Powered LED Bollard

Project: _____

Type: _____

Quantity: _____

The WLB series solar powered LED bollard is an ideal choice for low level architectural, commercial way finding, and landscaping lighting applications. Visual appeal combined with high quality construction and unequalled solar power performance make the WLB series an excellent fit where quality low level lighting is required.

Utilizing solar power and LED lighting the WLB bollards are fully self contained and offer significant benefits over typical wired bollards:

- Low installed cost and minimal site impact with no trenching, cabling or wiring
- Minimal ongoing costs with no electrical bills or bulbs to change
- Immune from power outages
- Provide a visibly green statement without recurring carbon emissions

The performance of the WLB Series Solar LED Bollard is maximized through the use of proprietary Energy Management System (EMS) technology that allows the luminaire to function in harmony with its environment.

The EMS ensures that regardless of low-solar weather patterns or unusual charging conditions such as shading, the bollard continues to provide useable light that enhances the appeal and safety of the night time environment.

TECHNICAL SPECIFICATIONS

- | | |
|----------------------|--|
| Solar Module: | <ul style="list-style-type: none">▪ High impact, UV resistant, polycarbonate encapsulation▪ High efficiency mono-crystalline cells▪ Fully integrated into bollard housing▪ Used for day/night detection (no photocell required) |
|----------------------|--|

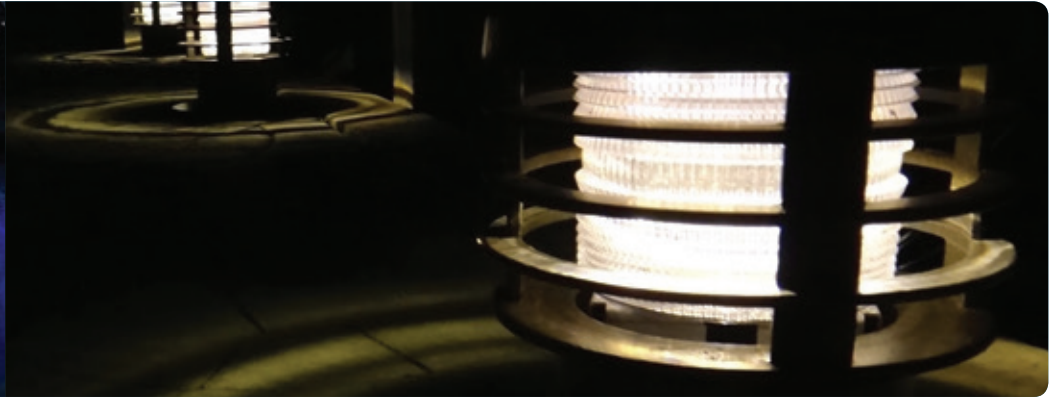
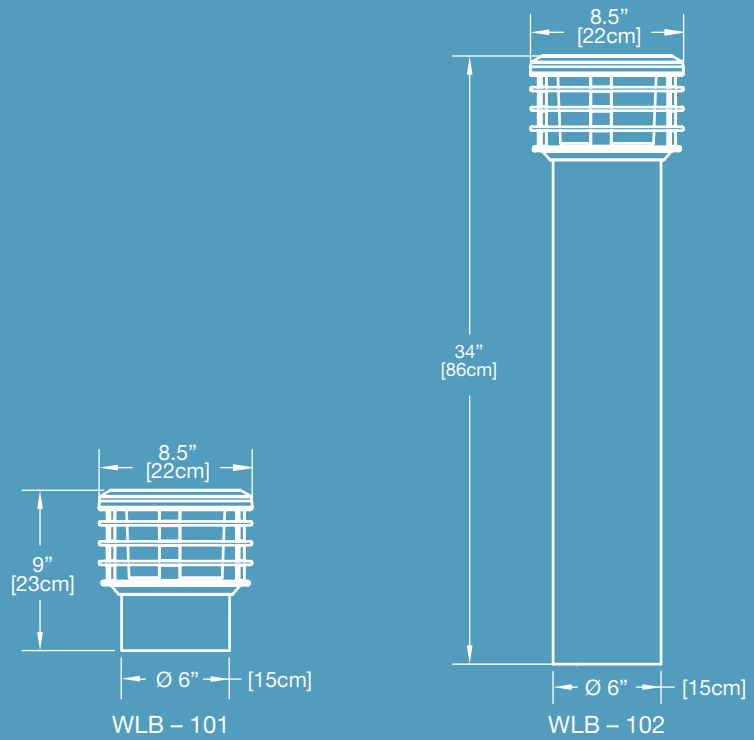
- | | |
|--|--|
| Energy Management System (EMS): | <ul style="list-style-type: none">▪ High efficiency Maximum Power Point Tracking (MPPT) charge controller▪ Microcontroller based system▪ Includes high efficiency LED driver▪ Integrated into bollard housing▪ Automatically manages lighting performance based on environmental conditions and lighting requirements▪ Patent pending |
|--|--|

- | | |
|-----------------|--|
| Battery: | <ul style="list-style-type: none">▪ Pure lead, spiral wound, absorbed glass mat (AGM)▪ Superior cyclic performance▪ 10 year design life▪ Simple battery changes when required |
|-----------------|--|

- | | |
|-------------------------|---|
| LEDs and Optics: | <ul style="list-style-type: none">▪ High output Cree LED▪ 50,000 hour L70 lifetime▪ Warm (3000K) and neutral (4300K) color temperatures available▪ Omni-directional light output with Fresnel lens▪ Typical lumen output of 50 lumens |
|-------------------------|---|

- | | |
|---------------------------------|--|
| Mechanical Construction: | <ul style="list-style-type: none">▪ Cast, low copper aluminum housing▪ Extruded, low copper aluminum post▪ Stainless fasteners▪ Architectural grade, super durable, TGIC powder coat with Alodine undercoat |
|---------------------------------|--|

- | | |
|---------------------------------------|--|
| Factory Set Lighting Profiles: | <ul style="list-style-type: none">▪ On at dusk, off at dawn▪ On at dusk, turn off after 6 hours▪ On at dusk, dim to 30% after 6 hours▪ On at dusk, off after 5 hours, on 1 hour before dawn▪ On at dusk, dim to 30% after 5 hours, on for 1 hour before dawn |
|---------------------------------------|--|



ORDER MATRIX

Series	Height	Finish	Distribution	LED Color	Lighting Profile	Options
WLB	101 - 9"	BK - Black	SYM - Symmetrical	30K - 3000K	00 - Dusk till dawn	WOB - Ship Without Battery
	102 - 34"	BZ - Bronze		43K - 4300K	01 - Dark +6 hours then off	SEC - Security Fasteners
		SV - Silver		02 - Dark +6 hours then 30%		
		WH - White		03 - Dark +5 hours, off, Dawn -1 hour		
		CC - Custom		04 - Dark +5 hours, 30%, Dawn -1 hour (DEFAULT)		

Notes:
- Specifications subject to change without notice

