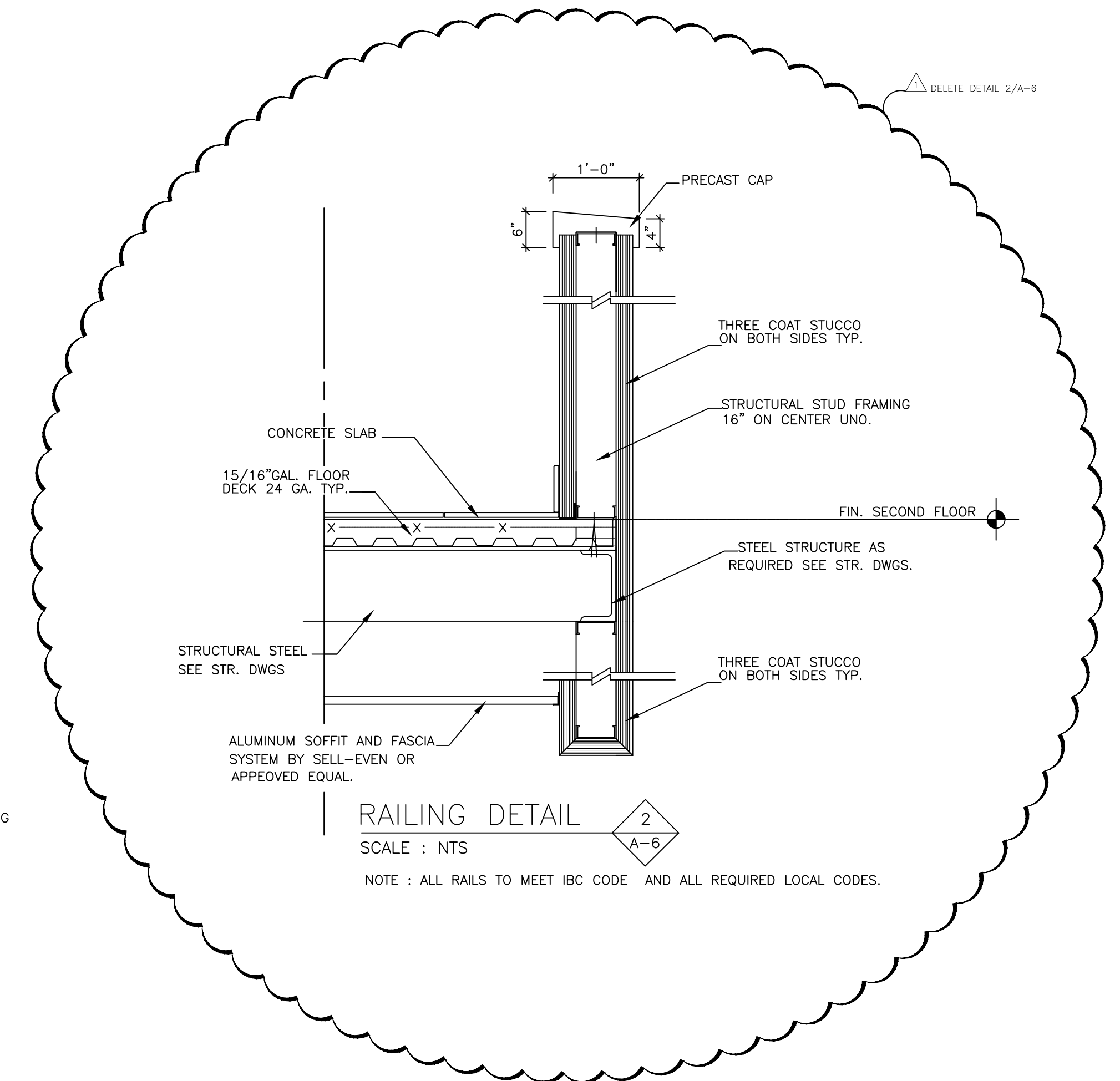
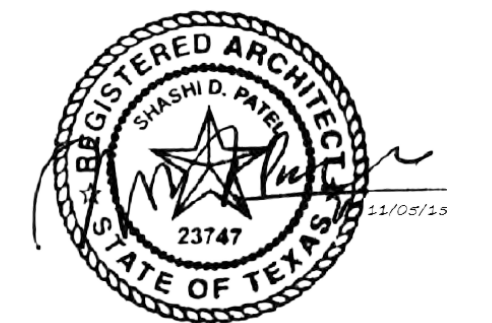
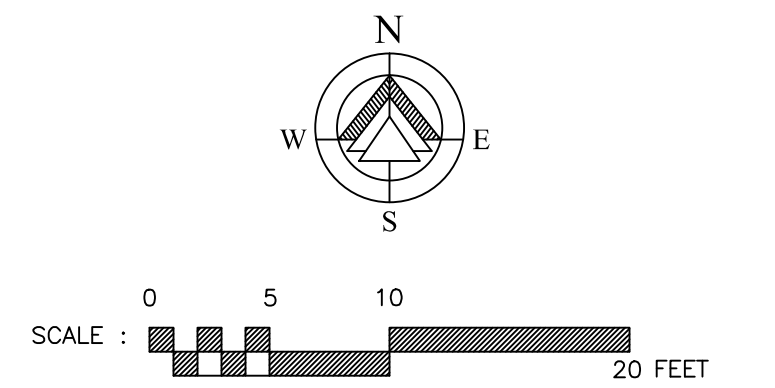


**SCHEMATIC CROSS SECTION** 1  
A-6  
 SCALE : 1/8" = 1' - 0"  
 NOTE : FOR ALL WALL FINISHES SEE WALL SECTION AND ELEVATIONS.



**RAILING DETAIL** 2  
A-6  
 SCALE : NTS  
 NOTE : ALL RAILS TO MEET IBC CODE AND ALL REQUIRED LOCAL CODES.



rev	
rev	
date	10-05-2015 released for const.
scale	AS NOTED
drawn by	CADD-SPA

**SHASHI D. PATEL AIA NCARB**  
 ARCHITECTS AND PLANNERS  
 442 EAST END AVE. STE-B. PITTSBURGH PA 15221

BUILDING CROSS SECTIONS  
 CONSTRUCTION DOCUMENT PHASE

**RADHA KRISHNA TEMPLE**  
 ALLEN TEXAS

dwg. 07162013  
 no. A-6