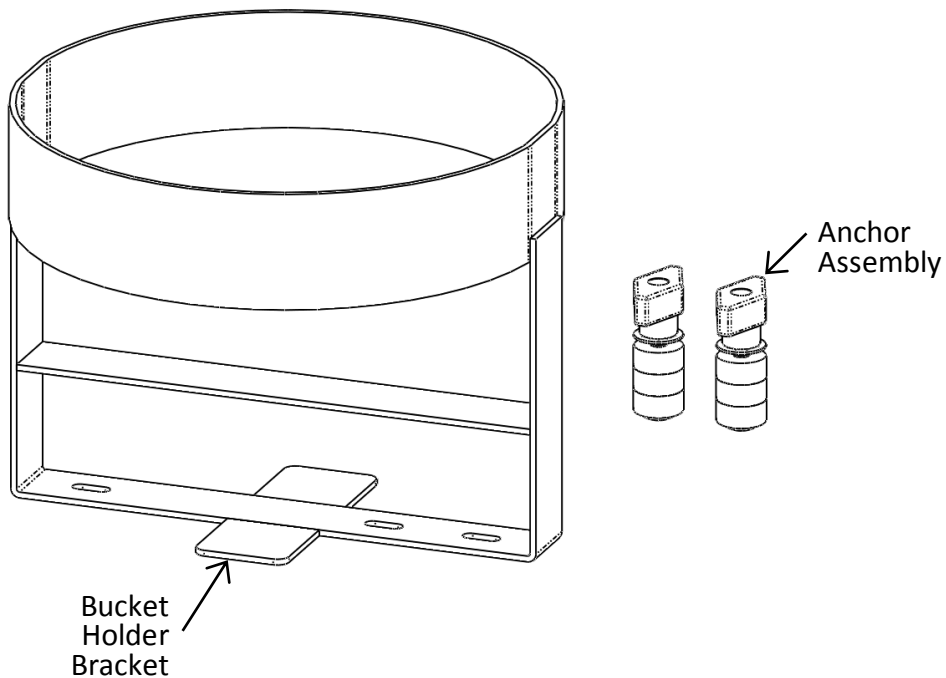


# SPORTSMAN – 5 Gallon Bucket Holder Installation Kit

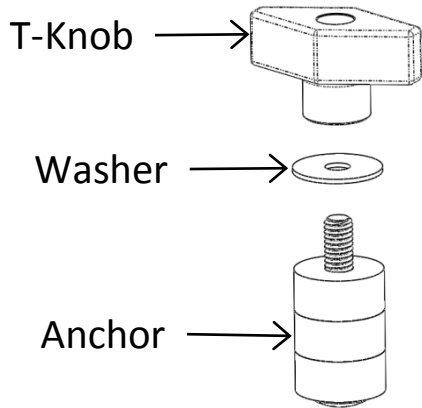


The 5 Gallon Bucket Holder Installation Kit fits Polaris Sportsman Models with Front/Rear racks plastic racks as shown above. The Kit comes with a Bucket Holder Bracket and 2 x Anchor Assembly.



# Installation:

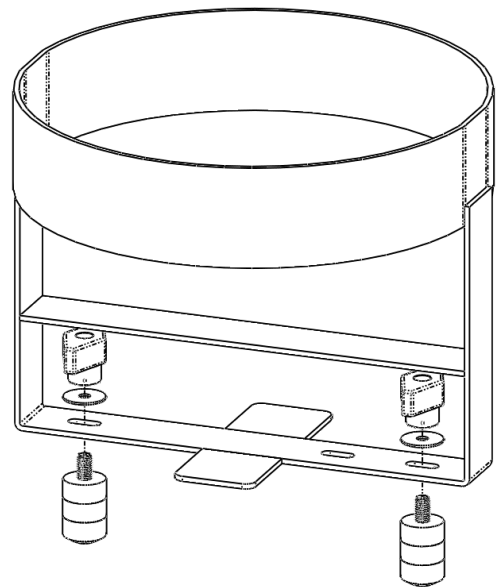
## Step 1:



Remove the T-Knob and Washer from each of the Anchor Assemblies.

## Step 2:

Insert an Anchor Assembly through the two slots in the Bucket Holder Bracket (different spacing options are available for various Polaris models). Replace the Washer and T-Knob. Screw the T-Knobs down until they are finger tight but can still slide freely in the slots.



Step 3:

Choose where you would like to mount the 5 Gallon Bucket Holder.  
Some examples are shown below.



Step 4:



Insert the 5 Gallon Bucket Holder into the chosen location by aligning the anchors with the holes on the Front or Rear of the Sportsman.

Tighten the T-Knobs of the anchors to secure the 5 Gallon Bucket Holder.

