



AMERICAN ELECTRIC EQUIPMENT, INC.

P.O. BOX 710 BECKLEY, WV 25801

PHONE: 304-255-7438

FAX: 304-255-7448

B-2900-240 CAPACITOR TRIP DEVICE

240 VAC INPUT

CHARGES TO 300 VDC

Document A-8814

JULY 15, 2006

Description

The B-2900-240 capacitor trip assembly provides DC tripping power for high voltage circuit breaker shunt trip coils. The capacitor trip assembly requires 240 VAC input power.

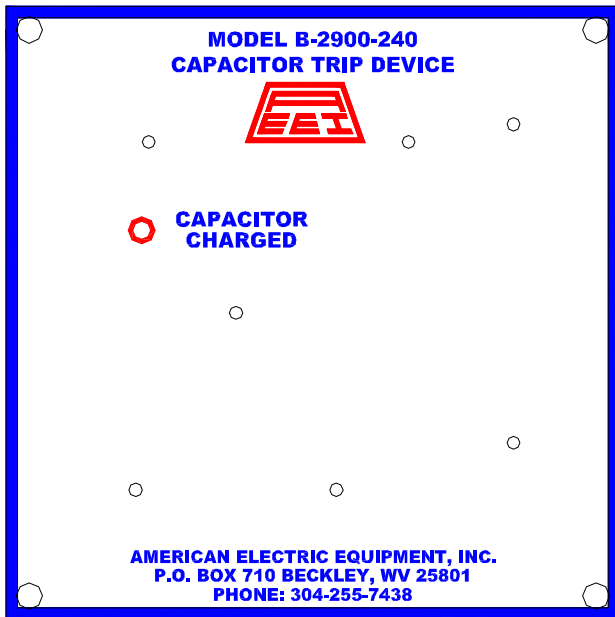
Operation

Connect input and trip circuit wires as shown on drawing. A remote mounted charged indicating light can be used.

When power is applied to the capacitor trip the capacitor will charge to 300 VDC as indicated by the capacitor charged indicating light.

Faults

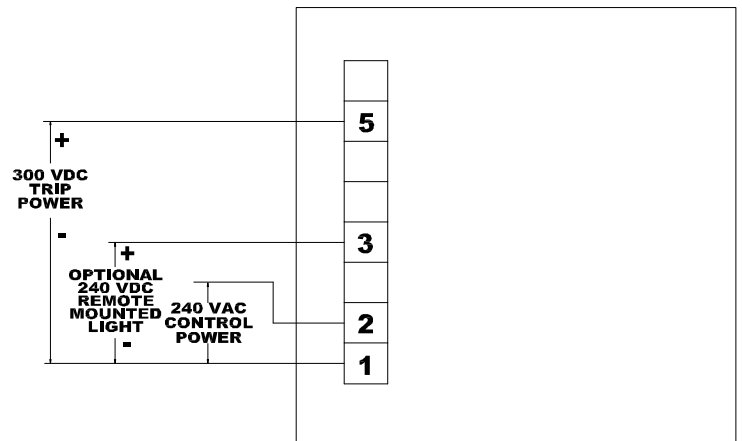
When a fault occurs stored energy of 300 VDC is available to trip shunt trip coils



Features

- ✓ 240 VAC input
- ✓ 300 VDC output
- ✓ Capacitor charged indicating light
- ✓ Direct replacement for many trip devices

TERMINAL CONNECTIONS



ORDERING INFORMATION

CAPACITOR TRIP PART NUMBER: A-2900-120

AMERICAN ELECTRIC EQUIPMENT
P.O. BOX 710
BECKLEY, WV
PHONE: 304-255-7438
FAX: 304-255-7448