

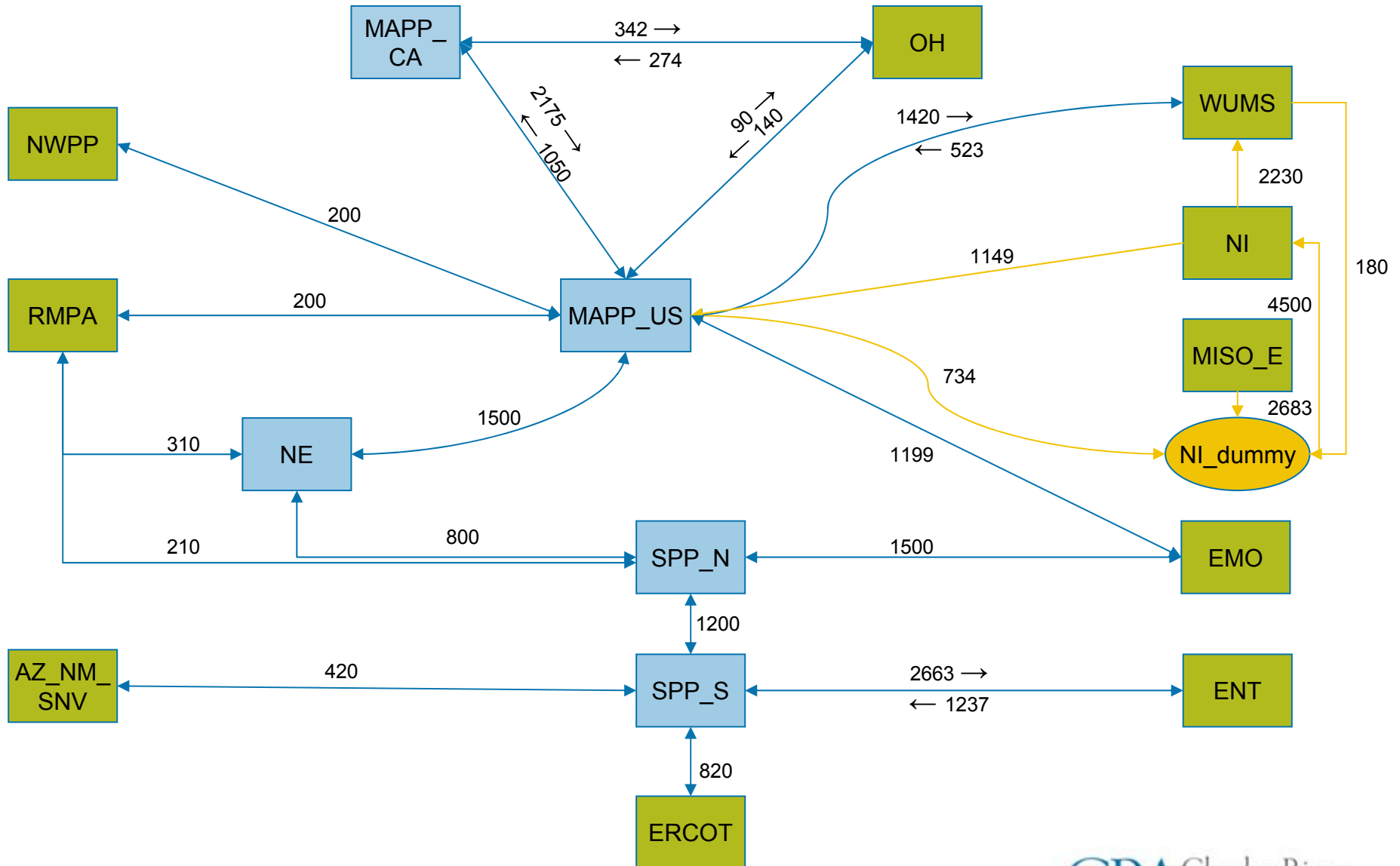
Preliminary NEEM Transmission Diagram – Eastern Interconnection

Notes:

- NEEM regions are subject to change.
- Listed transfer limits between NEEM regions are placeholders for MW figures that will be provided through PA analysis of Baseline Infrastructure transmission topology.
- “Dummy” regions are used to represent joint constraints.

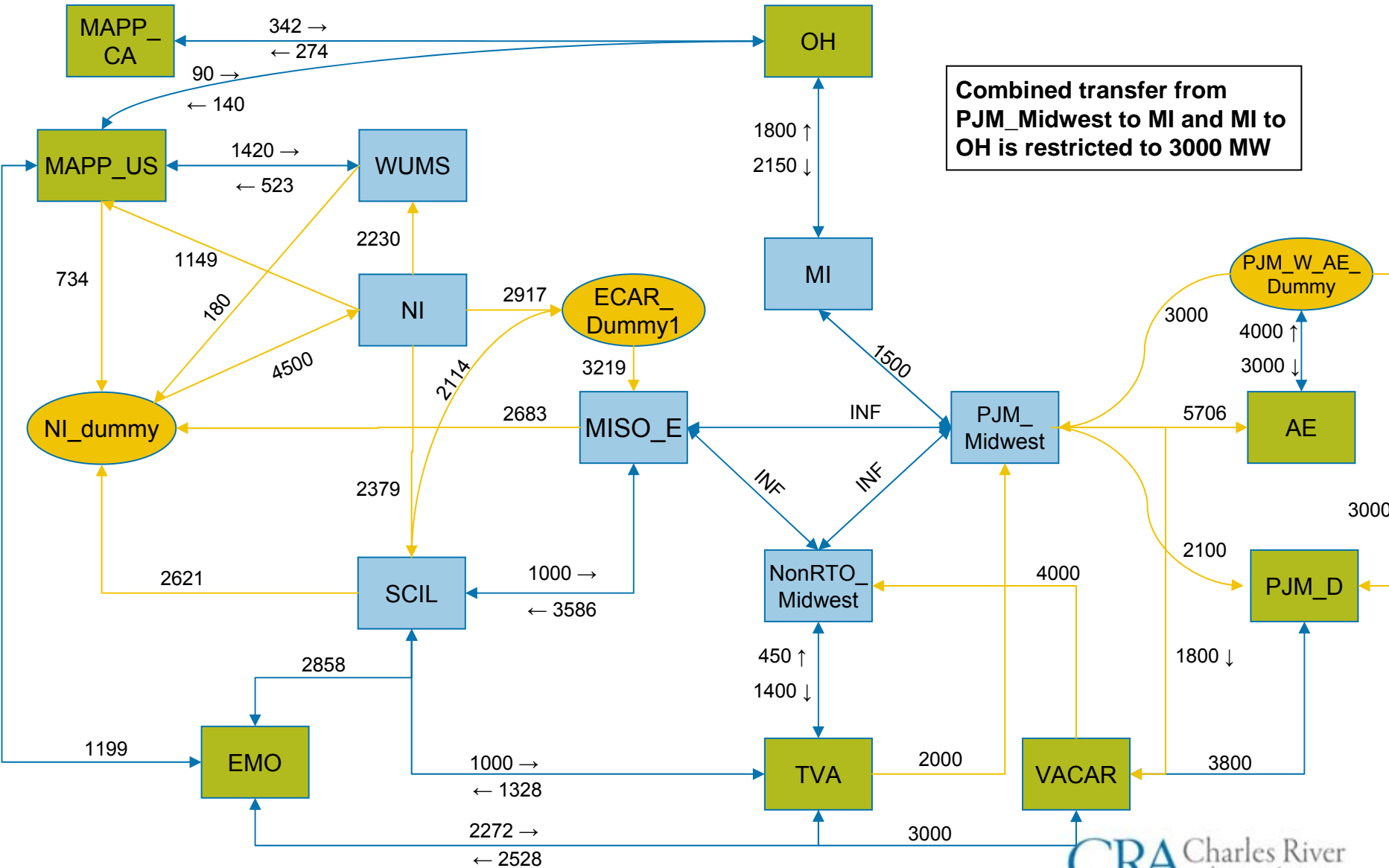
Panel 1

Note: Transmission description on this panel is incomplete for regions in green boxes (see other panels)



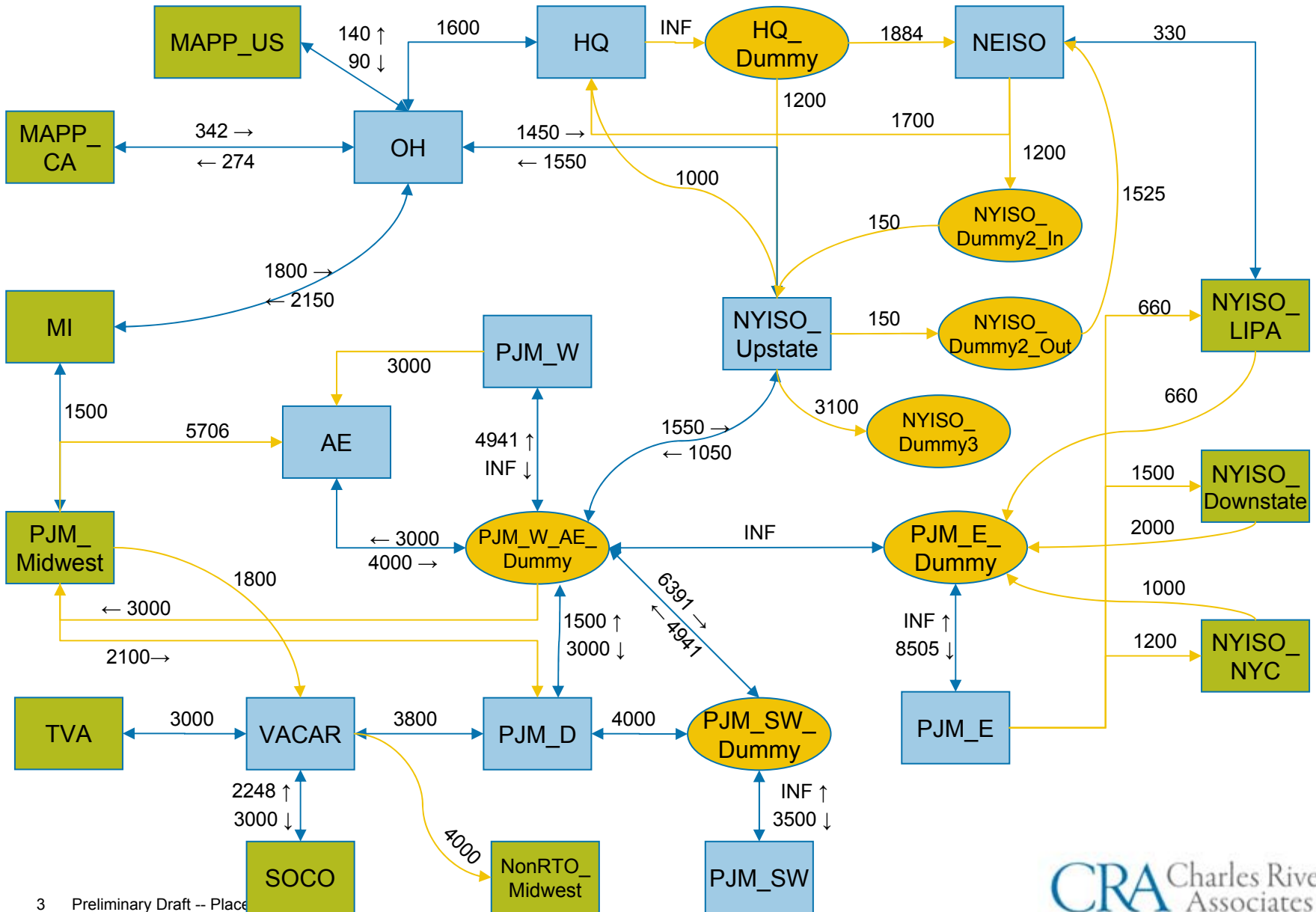
Panel 2

Note: Transmission description on this panel is incomplete for regions in green boxes (see other panels)



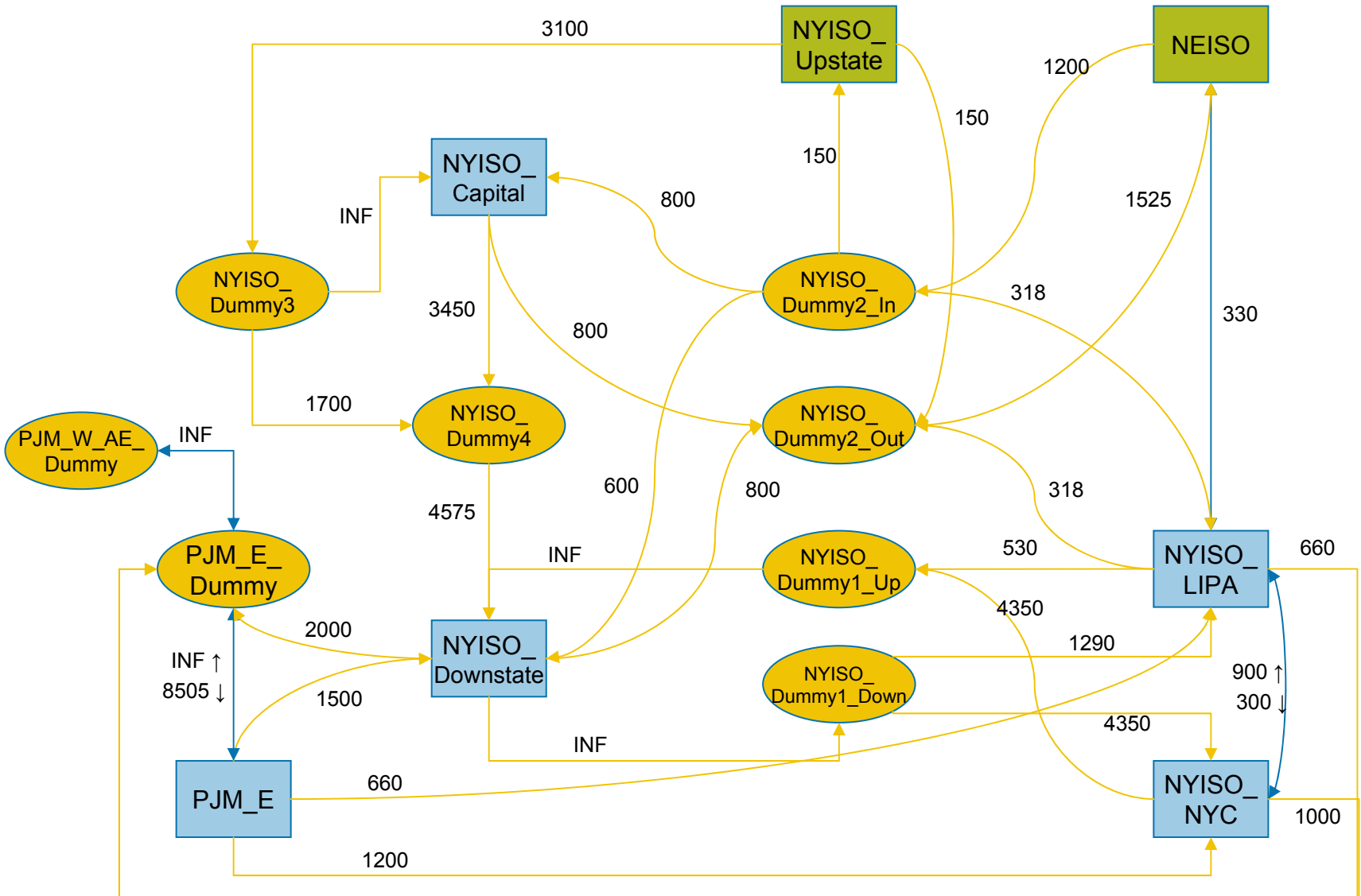
Panel 3

Note: Transmission description on this panel is incomplete for regions in green boxes (see other panels)



Panel 4

Note: Transmission description on this panel is incomplete for regions in green boxes (see other panels)



Panel 5

Note: Transmission description on this panel is incomplete for regions in green boxes (see other panels)

