

COMPLETE FORCE MEASUREMENT AND DATA ACQUISITION SYSTEMS

MASS-LINK

**99%+ Accurate
Weight Indication**



INNOVATIVE

FOUNDATION SOLUTIONS LTD.

www.ifsequip.com

99%+ Accurate Weight Indication

Innovative Foundation Solutions' is pleased to announce their latest product, the MassLink tension load cell. Utilizing the same electronic hardware, software and display as our Torq Pin and Torq Hub products, it delivers over 99% accurate mass (lifted weight) readings. Data is sent over a robust 2.4 GHz RF FHSS signal to the hand held (or machine mounted) display/datalogger.

The MassLink reliably and accurately displays lifted weights either lb or Kg. The MassLink can be purchased as a complete unit for stand-alone use, or can utilize the same display as the client's existing Torq Pin or Torq Hub products, to be used as a support product for the torque devices.

Applications

- ⇒ Pull testing anchors (or piles) after installation
- ⇒ Weighing any lifted load – utility transformers lifted by digger derricks, below the hook weighing for truck mount boom cranes or outdoor overhead cranes, or any other application requiring mass indication in an outdoor environment.



Circuit boards, firmware and software all designed by CTS specific to the application. Fully potted, sealed, gasketed and cushioned to ensure maximum protection and long life.



Wireless signal is 2.4 GHz FHSS RF. Outdoor range – up to 2.5 miles (4 km) Frequency Hopping Spread Spectrum technology allows clear communication across up to 79 frequencies.

7" Window OS LCD touchscreen in a rugged ABS casing. Designed to IP67 ingress protection.



Improved Reporting



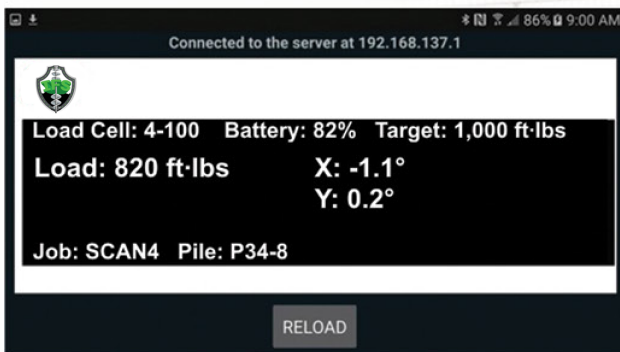
IFS is pleased to introduce our vastly improved reporting capabilities.

- ⇒ Reports are exportable directly from the display, either via email using a smartphone with its' hotspot enabled, or through the onboard USB port connected to a flash drive
- ⇒ Reports are exported as both bare data (.dat file – open with Excel), and as a PDF line chart as shown below. One cover page for the job and a page for each individual pile is generated.

User customizable client name and job information
(Client Logo's can be easily be added with any 3rd party PDF editor software)

Simple to review look for torque data exceeding user preset threshold

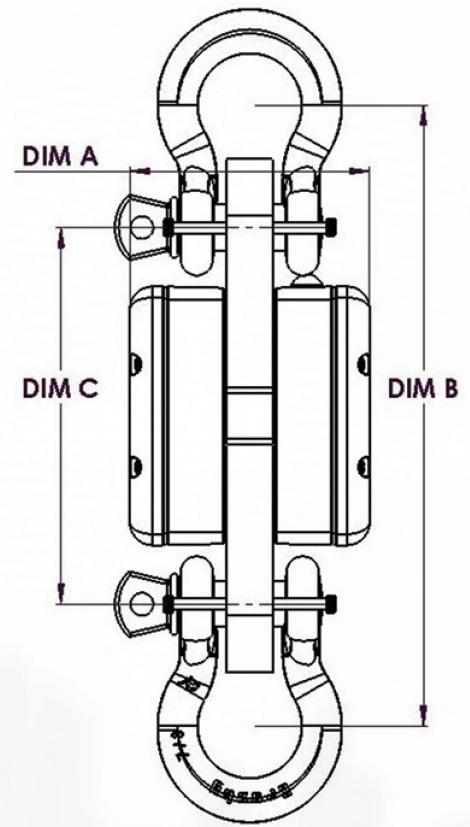
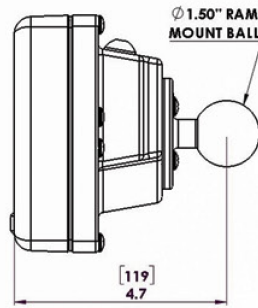
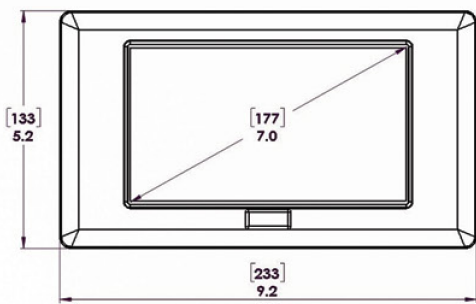
Smartphone Apps



IFS is now offering a free smartphone app for both iOS (Apple) and Android (Samsung, etc) users.

- ⇒ Available for FREE download from either the Apple App Store or Google Play.
- ⇒ Allows a user to remotely monitor torque and inclination data for piles/anchors as well as mass data from the MassLink they are installed via a WiFi connection between their smartphone and our display.

COMPLETE FORCE MEASUREMENT AND DATA ACQUISITION SYSTEMS



Rated Output (R.O):	2 mV/V nominal
Nonlinearity:	0.1% of R.O.
Hysteresis:	0.1% of R.O.
Nonrepeatability:	0.05% of R.O.
Zero Balance:	1.0% of R.O.
Compensated Temp. Range:	60° to 160° F
Safe Temp. Range:	-65° to 200° F
Temp. Effect on Output:	0.005% of Load/° F
Temp. Effect on Zero:	0.005% of R.O./° F
Terminal Resistance:	350 ohms nominal
Excitation Voltage:	5 VDC
Safe Overload	150% of R.O.

PART NUMBER	DIM A	DIM B	DIM C	WLL (Working Load Limit)	Weight (With Shackles)
MLI-6.5T	5.25" 133.4mm	13.59" 345mm	8.25" 210mm	6.5 tonne (6500 Kg) 7.165 US ton (14,330 lb)	18 lbs 8.2 Kg
MLI-12T	5.75" 146.1mm	16.75" 425mm	9.25" 235mm	12 tonne (12,000 Kg) 13.23 US ton (26,455 lb)	40 lbs 18.1 Kg
MLI-25T	6.25" 158.8mm	21.75" 553mm	10.75" 273mm	25 tonne (25,000 Kg) 27.56 US ton (55,115 lb)	108 lbs 48.9 Kg
MLI-35T	6.75" 171.5mm	23.50" 597mm	11.50" 292mm	35 tonne (35,000 Kg) 38.58 US ton (77,162 lb)	158 lbs 71.7 Kg
MLI-55T	7.00" 177.8mm	28.75" 730mm	12.25" 311mm	55 tonne (55,000 Kg) 60.63 US ton (121,254 lb)	300 lbs 136.0 Kg



Distributor:

INNOVATIVE
FOUNDATION SOLUTIONS LTD.

www.ifsequip.com