

ECONOVENT[®] PUR (A, B, C, D)

>> SLIDE IN ROTOR CASSETTE - TECHNICAL DATA



AIR COMFORT

ECONOVENT

SLIDE IN ROTOR CASSETTE - TECHNICAL DATA

ECONOVENT® is the original rotary heat exchanger, manufactured since 1956 and its characteristics are known as high energy recovery efficiency, low pressure drops, reliable technical data with excellent operational feature.

The products are tested extensively during the development process at our own Technical Centre and the Econovent product and selection program are naturally both AHRI and Eurovent certified.

ECONOVENT® CASSETTES

The PUR (A, B, C, D) cassette family are available in several designs such as split casing and side by side configurations.

ECONOVENT®

The rotor diameter ranges from 300 mm to 2500 mm. The rotor is made of a special aluminium alloy and the following treatments/coatings are offered.

1. Non hygroscopic rotor (condensation)
2. Non-hygroscopic, edge reinforced
3. Non-hygroscopic, epoxy painted
4. Econovent® Sorption
5. The Econovent® Sorption, edge reinforced
6. Composite

Suitable applications:

- Non-hygroscopic: When no humidity recovery/dehumidification desired.
- Edge reinforced: For corrosive air.
- The Econovent® Sorption: When humidity recovery and/or dehumidification desired (most applications).
- Epoxy painted: For very corrosive environments and no humidity/dehumidification need.

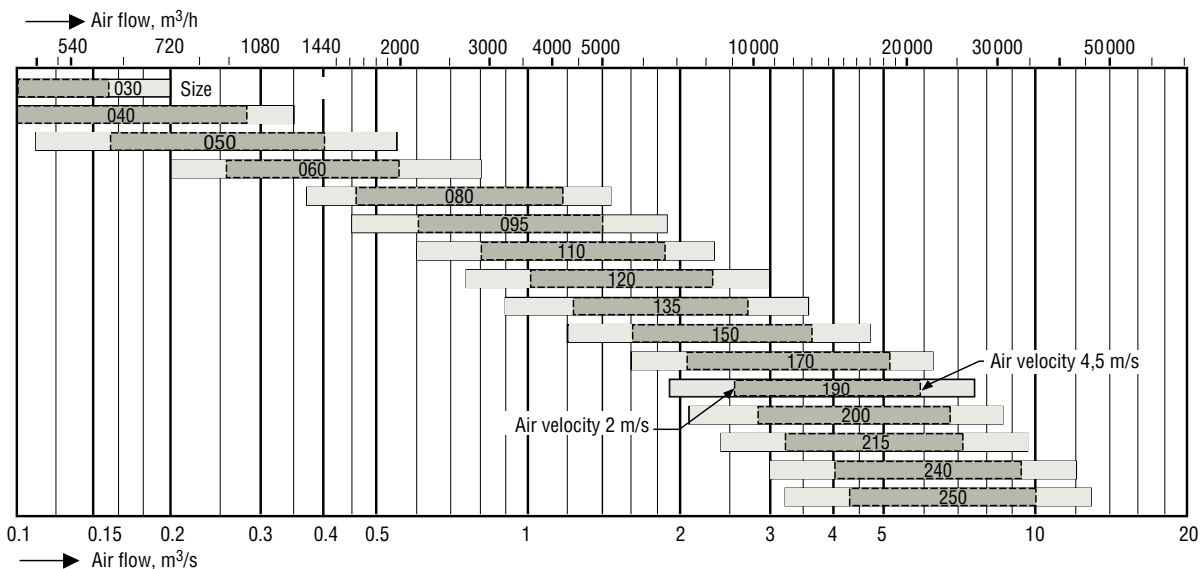
VARIANTS

Possible rotors	Delivery Material	Performance Standard
Heat recovery - non hygroscopic	Aluminium	x
Industry epoxy design - non hygroscopic	Epoxyband	x
Corrosive air - edge reinforced	Aluminium	x
Marine type for ships - heat/cooling	Aluminium/ Sorption	x
Econovent® Sorption		

In order to optimize the rotor performance to the individual project, Econovent offers 5 different output variants (foil spacings). The higher the output number the lower the foil spacing and the higher the energy efficiency.

To minimize pressure drops and to avoid clogging of the rotor, the rotor is wound together with an adhesive component and no spokes are used. For applications where rotor is to be sectorised, available sectors are 2, 4 or 6.

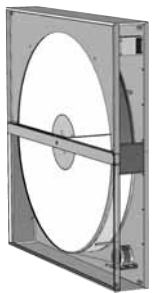
PUR (A, B, C, D) ROTOR SIZES AIR FLOW RANGES WITH MIN - MAX RATES



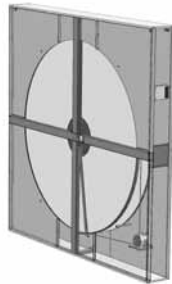
THE CASSETTE/CASING

There are 4 different cassette/casing variants available:

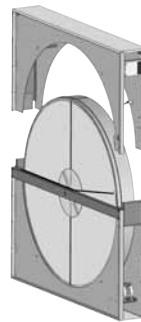
	Air flow direction	Delivery	Wheel diameter
PURA	Top/bottom air flow	Casing one piece	030-250 cm
PURB	Side by side air flow	Casing one piece	030-250 cm
PURC	Top/bottom air flow	Casing split	110-250 cm
PURD	Side by side air flow	Casing split	110-250 cm



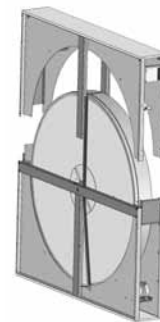
PURA



PURB



PURC



PURD

All versions available with:

- **A self carrying casing**

- Flexible casing dimensions (see table on page 5) for optimal built in rotor into the AHU.
- Cassette either a slide in for AHU or cased for stand alone use.
- Smooth outside casing, no sticking out.
- Fitted with cable bushings.
- Casing material
 - Galvanized steel.
 - Stainless Steel (304 or 316L).
 - AluZinc.

- **Drive system**

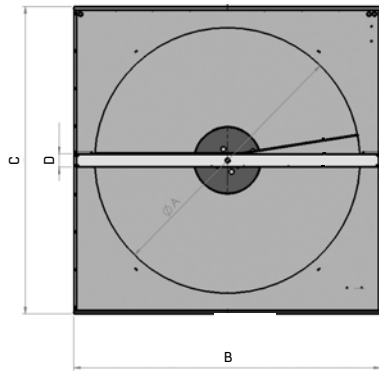
- Constant or with variable speed.
- Cassette with or without inspection cover.

- **Purging sector**

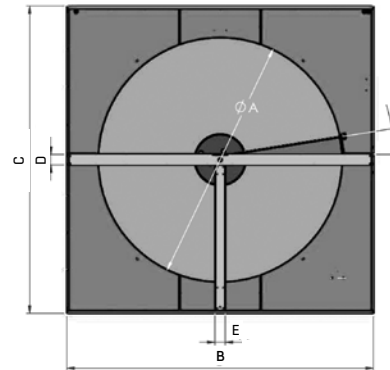
- No purging sector.
- Fixed purging sector.
- Adjustable purging sector.

DIMENSIONS AND WEIGHTS

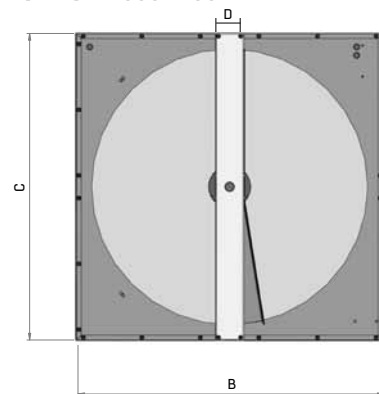
PURA SIZE 030 - 200



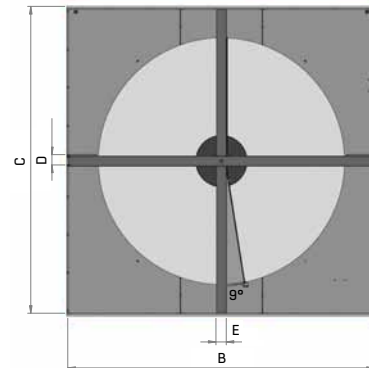
PURA SIZE 201 - 250



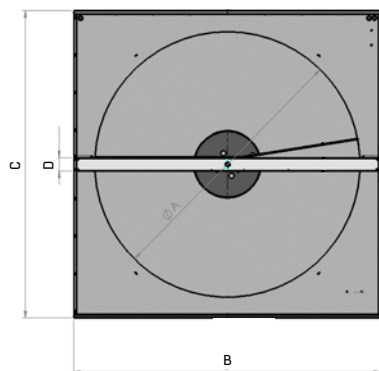
PURB SIZE 030 - 109



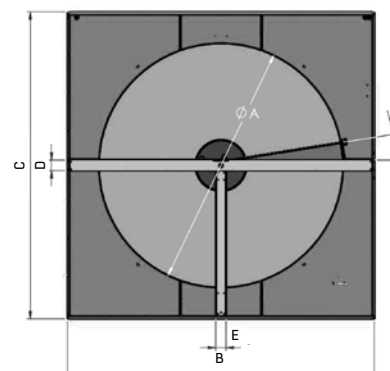
PURB SIZE 110-250



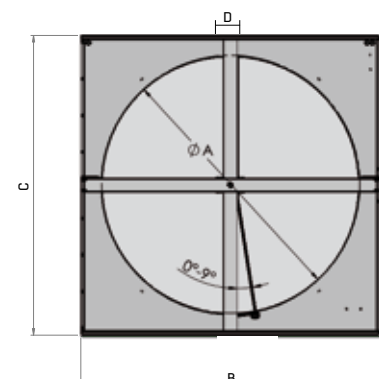
PURC SIZE 110-200



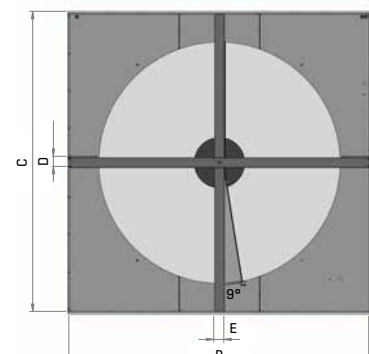
PURC SIZE 201-250



PURD SIZE 110-200



PURD SIZE 201 - 250



**TABLE 1: CASING DIMENSIONS, IN STEPS OF 1 CM**

Rotor size	A	B	C	D	E	F	Weight (kg)*
∅ 030...039 (cm)	aaa	+(10...50)	+(25...80)	8	-	30	
Example	030	40...80	55...110	8	-	30	25
∅ 040...049 (cm)	aaa	+(10...50)	+(20...80)	8	-	30	
Example	040	50...90	60...120	8	-	30	31
∅ 050...054 (cm)	aaa	+(10...50)	+(15...80)	8	-	30	
Example	050	60...100	65...130	8	-	30	37
∅ 055...109 (cm)	aaa	+(10...50)	+(10...80)	8/10	-	30	
Example	060	70...110	70...140	8	-	30	43
	070	80...120	80...150	10	-	30	51
	080	90...130	90...160	10	-	30	61
	090	100...140	100...170	10	-	30	71
	100	110...150	110...180	10	-	30	82
∅ 110...160 (cm)	aaa	+(10...50)	+(10...110)	10	-	33	
Example	110	120...160	120...220	10	-	33	110
	120	130...170	130...230	10	-	33	122
	130	140...180	140...240	10	-	33	136
	140	150...190	150...250	10	-	33	151
	150	160...200	160...260	10	-	33	166
	160	170...210	170...270	10	-	33	182
∅ 161...190 (cm)	aaa	+(10...110)	+(15...110)	10	-	33	
Example	170	180...280	185...280	10	-	33	202
	180	190...290	195...290	10	-	33	220
	190	200...300	205...300	10	-	33	239
∅ 191...250 (cm)	aaa	+(10) ≤300	+(15) ≤300	10	-	33	
Example	200	210...300	215...300	10	-	33	267
	210	220...300	225...300	10	9,9	33	299
	220	230...300	235...300	10	9,9	33	320
	230	240...300	245...300	10	9,9	33	342
	240	250...300	255...300	10	9,9	33	365
	250	260...300	265...300	10	9,9	33	389

Note!

aaa=code position for PUR (A,B,C,D)

Rotor size 030-060 only available with d=1

*) Example weight for min cassette dimensions, non hygro rotor and output variant 5 (1,7)

Table 1: when code position d=1 or 3, Table 2: when code position d=2 or 4

TABLE 2: CASING DIMENSIONS, IN STEPS OF 1 CM WHEN D= 2 OR 4 (WITH INSPECTION COVER FOR DRIVE SYSTEM)

Rotor size	A	B	C
∅ 060...109 (cm)	aaa	+(15...50)	+(30...80)
Example	030	45...80	60...110
∅ 110...200 (cm)	aaa	+(15...50)	+(15...110)
Example	150	165...200	165...260
∅ 200...250 (cm)	aaa	+(10) ≤300	+(15) ≤300
Example	250	260...300	265...300

A HISTORY OF INNOVATION AND RELIABILITY

Fläkt Woods is a global leader in air management. We specialize in the design and manufacturing of a wide range of air climate and air movement solutions. Our product brands such as SEMCO[®], Econet[®], Veloduct[®], Optivent[®], Econovent[®] and Cleanvent[®] are well-known and trusted by customers all over the world to deliver Air Comfort and Fire Safety. We are constantly aiming to provide systems that precisely deliver required function and performance, as well as maximum energy efficiency.

www.flaktwoods.com

