

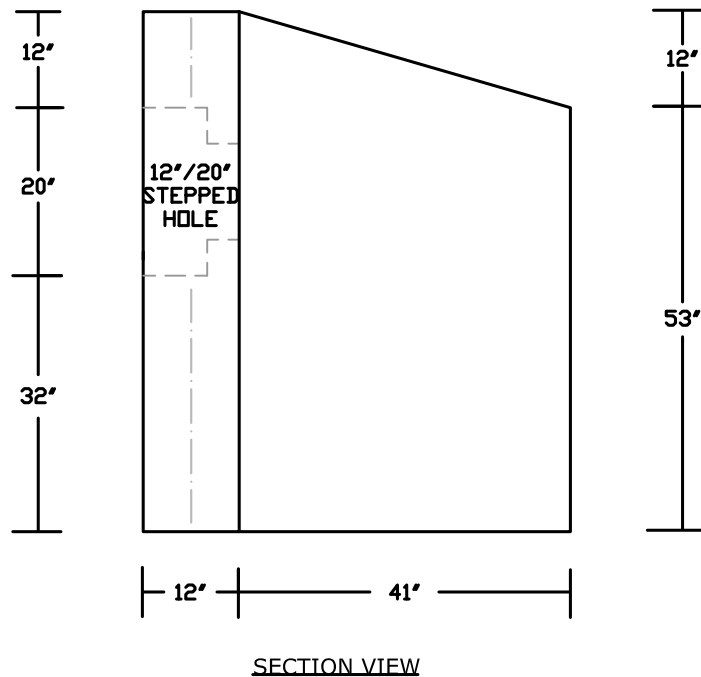
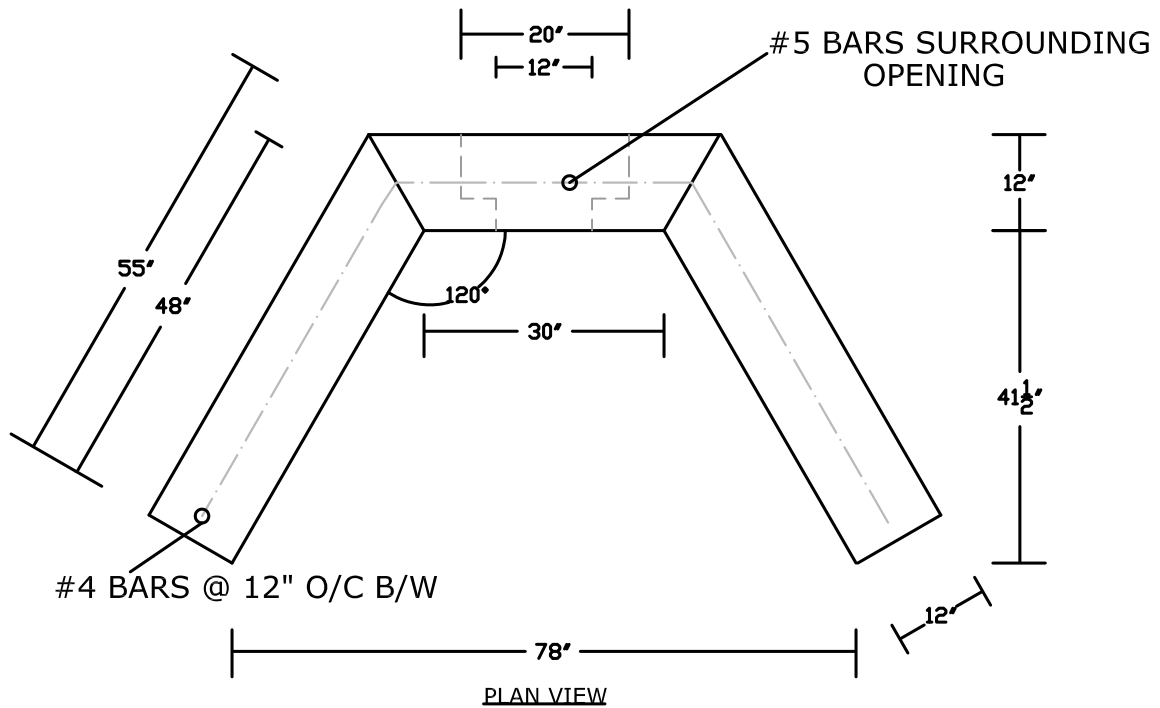
PEERLESS CONCRETE PRODUCTS CO.
SINCE 1959

INDEX

ITEM	PAGE
<u>Section E-</u> <i>Headwalls (Index)</i>	E-1
12" RCP Wingwall	E-2
15" RCP Wingwall	E-3
18" RCP Wingwall	E-4
24" RCP Wingwall	E-5
30" RCP Wingwall	E-6
36" RCP Wingwall	E-7
48" RCP Wingwall	E-8
Flat Headwall	E-9
Anti-Seep Collar	E-10

PEERLESS CONCRETE PRODUCTS CO.

—SINCE 1959—



12" RCP WINGWALL (AS BUILT BY PEERLESS)

NOTES:

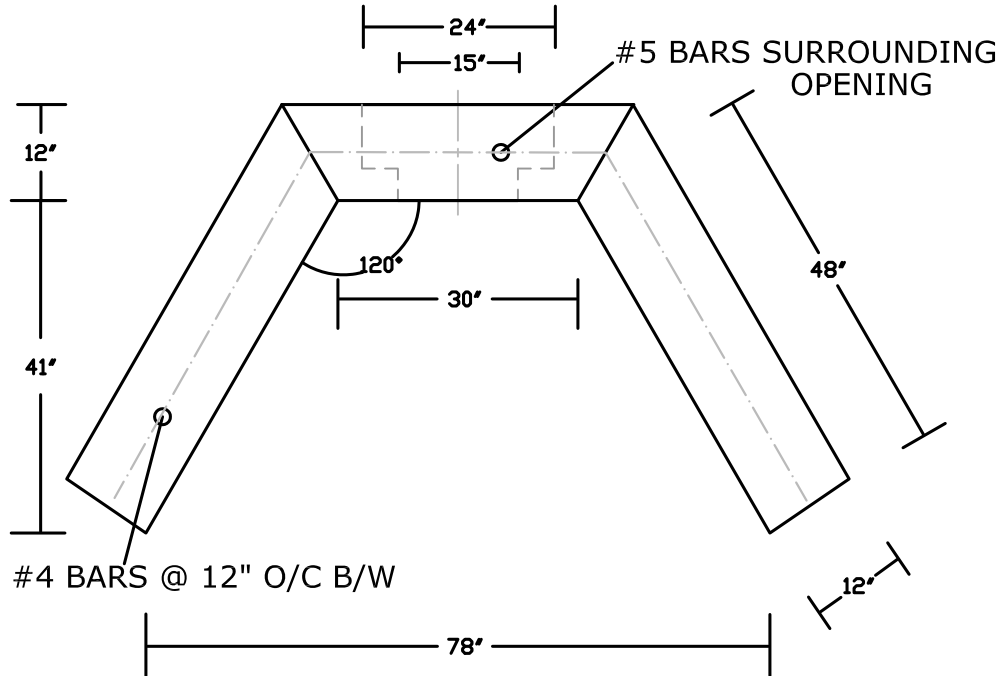
- CONCRETE 4,500PSI @ 28 DAYS
- REINFORCING: AS SPECIFIED, GRADE 60 REBAR
- SCALE: 1/2"=1'-0"

- MANUFACTURED IN ACCORDANCE WITH ASTM C-890
- 1" CHAMFER ON ALL EXPOSED EDGES
- WEIGHT 8,000 LBS ±

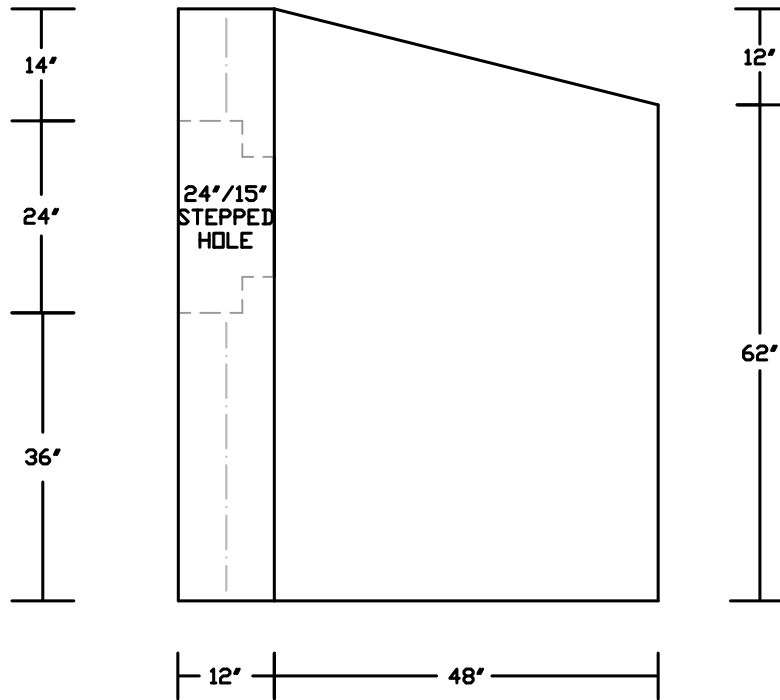
E-2

PEERLESS CONCRETE PRODUCTS CO.

— SINCE 1959 —



PLAN VIEW



SECTION VIEW

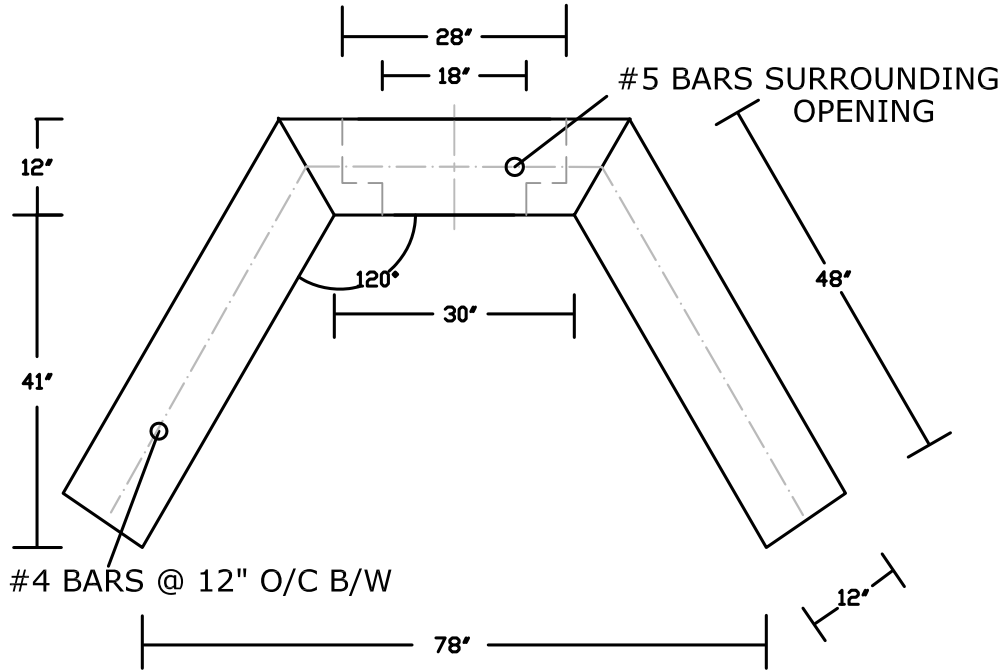
15" RCP WINGWALL
(AS BUILT BY PEERLESS)

NOTES:

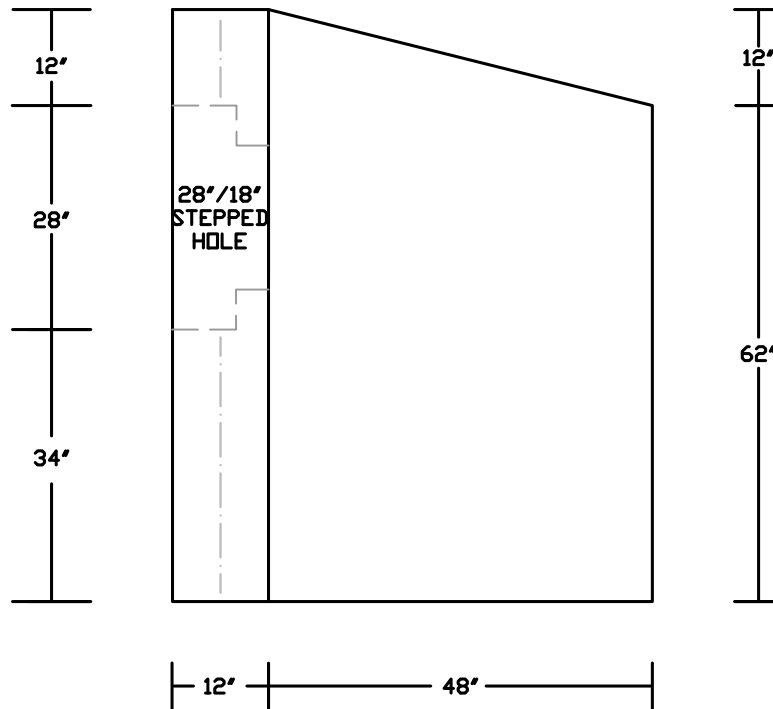
- CONCRETE 4,500PSI @ 28 DAYS
- REINFORCING: AS SPECIFIED, GRADE 60 REBAR
- SCALE: 1/2"=1'-0"
- MANUFACTURED IN ACCORDANCE WITH ASTM C-890
- 1" CHAMFER ON ALL EXPOSED EDGES
- WEIGHT 9,500 LBS ±

PEERLESS CONCRETE PRODUCTS CO.

—SINCE 1959—



PLAN VIEW



SECTION VIEW

18" RCP WINGWALL (AS BUILT BY PEERLESS)

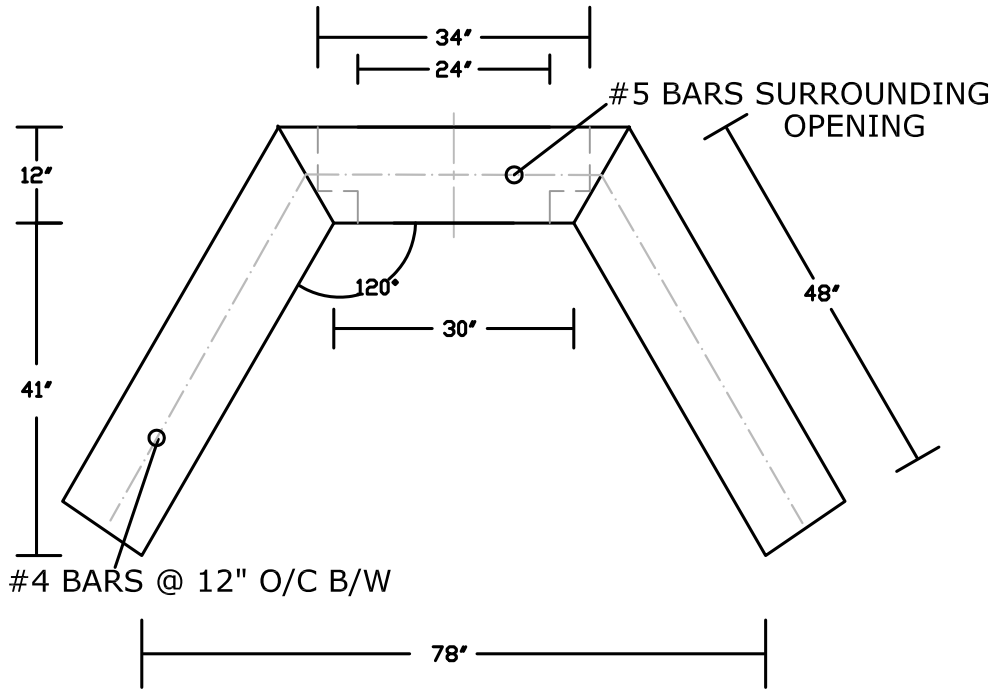
NOTES:

- CONCRETE 4,500PSI @ 28 DAYS
- REINFORCING: AS SPECIFIED, GRADE 60 REBAR
- SCALE: 1/2"=1'-0"
- MANUFACTURED IN ACCORDANCE WITH ASTM C-890
- 1" CHAMFER ON ALL EXPOSED EDGES
- WEIGHT 9,500 LBS ±

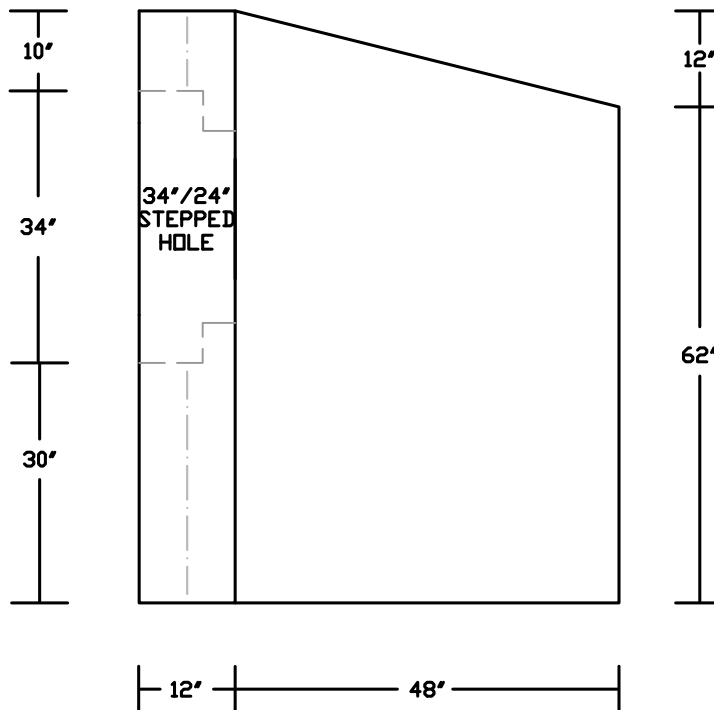
E-4

PEERLESS CONCRETE PRODUCTS CO.

—SINCE 1959—



PLAN VIEW



SECTION VIEW

24" RCP WINGWALL
(AS BUILT BY PEERLESS)

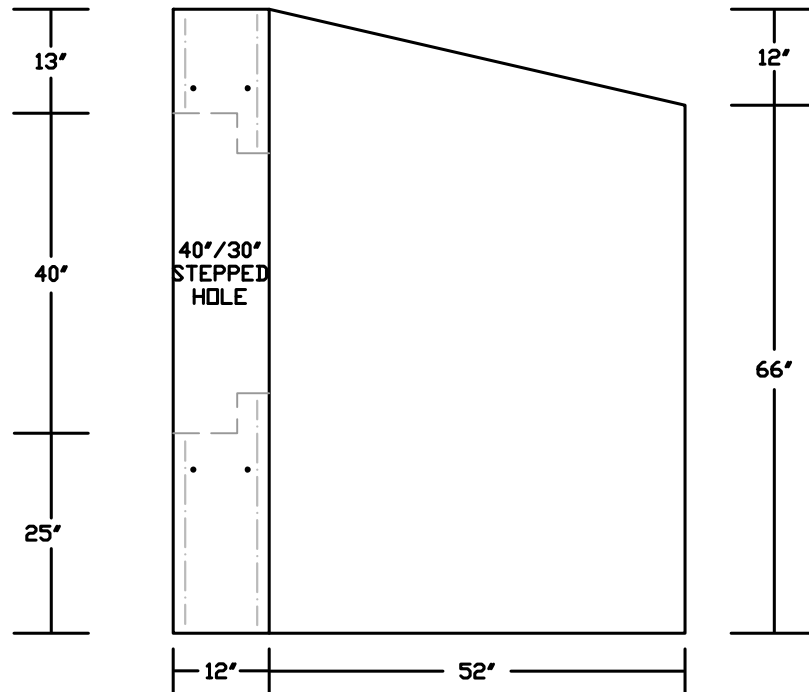
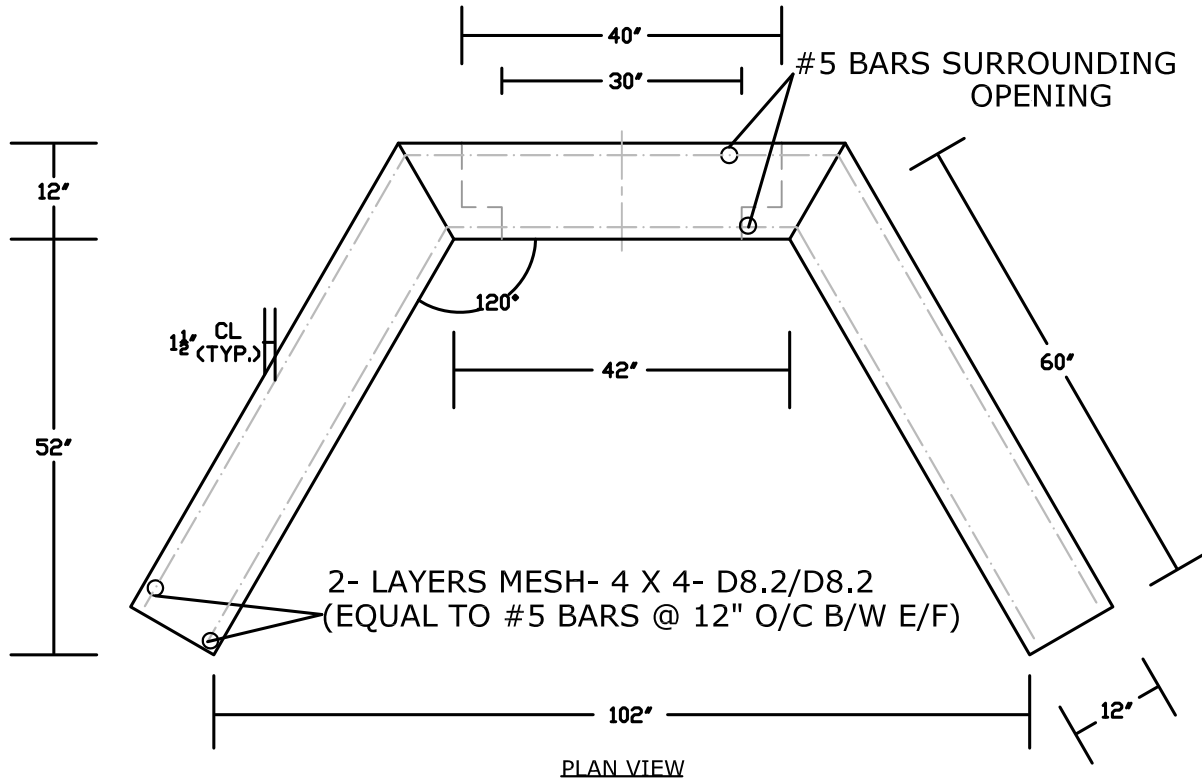
NOTES:

- CONCRETE 4,500PSI @ 28 DAYS
- REINFORCING: AS SPECIFIED
- GRADE 60 REBAR
- SCALE: 1/2"=1'-0"
- MANUFACTURED IN ACCORDANCE WITH ASTM C-890
- 1" CHAMFER ON ALL EXPOSED EDGES
- WEIGHT 9,500 LBS ±

E-5

PEERLESS CONCRETE PRODUCTS CO.

—SINCE 1959—



30" RCP WINGWALL
(AS BUILT BY PEERLESS)

NOTES:

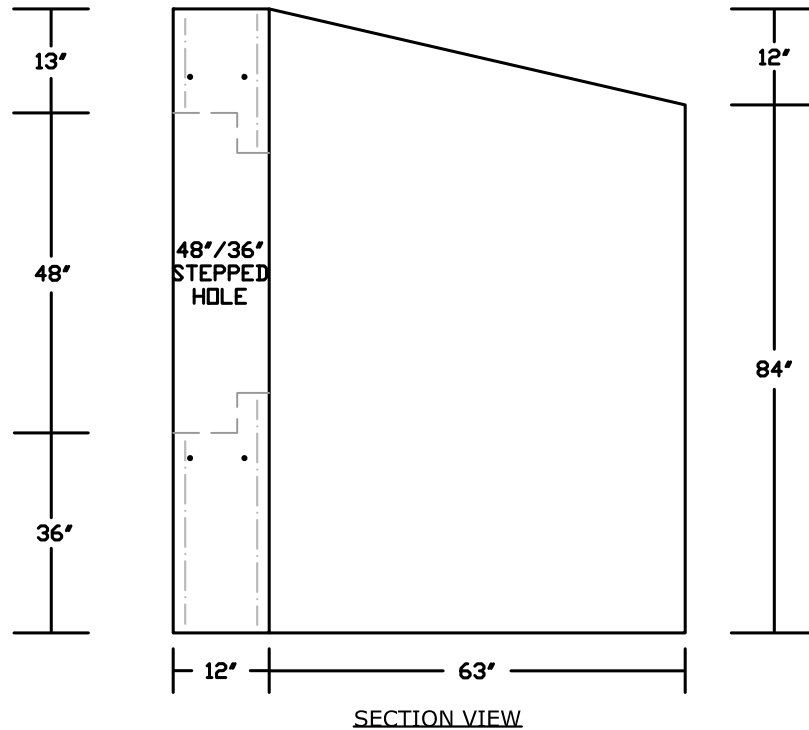
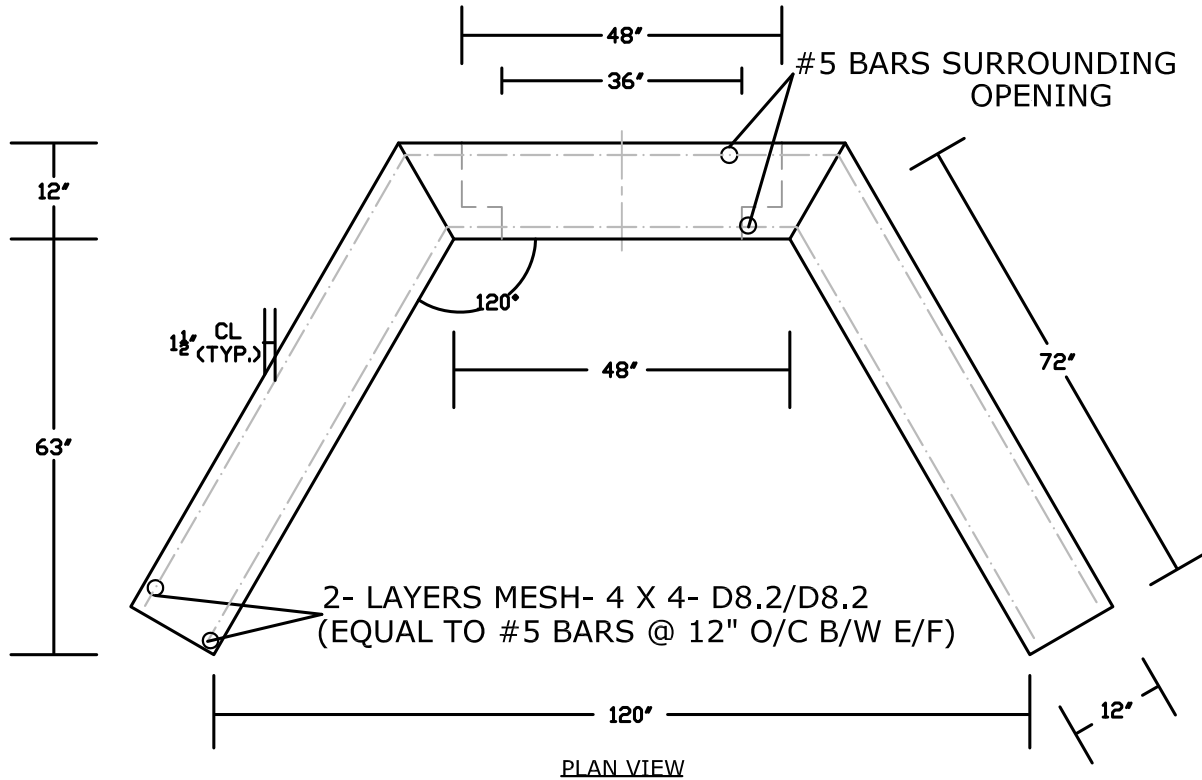
- CONCRETE 4,500PSI @ 28 DAYS
- REINFORCING: AS SPECIFIED,
GRADE 60 REBAR
- SCALE: 1/2"=1'-0"

- MANUFACTURED IN ACCORDANCE
WITH ASTM C-890
- 1" CHAMFER ON ALL EXPOSED EDGES
- WEIGHT 14,000 LBS.±

E-6

PEERLESS CONCRETE PRODUCTS CO.

—SINCE 1959—



36" RCP WINGWALL
(AS BUILT BY PEERLESS)

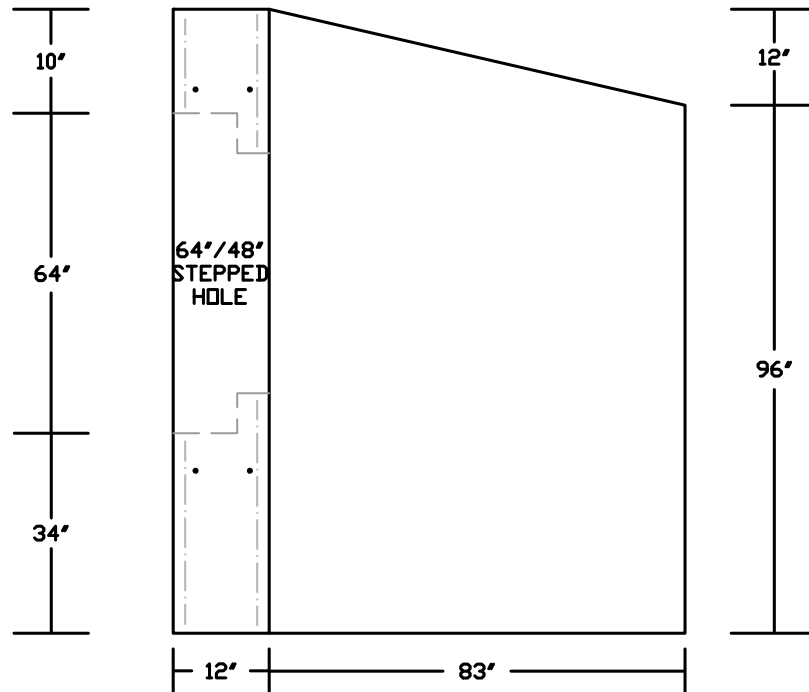
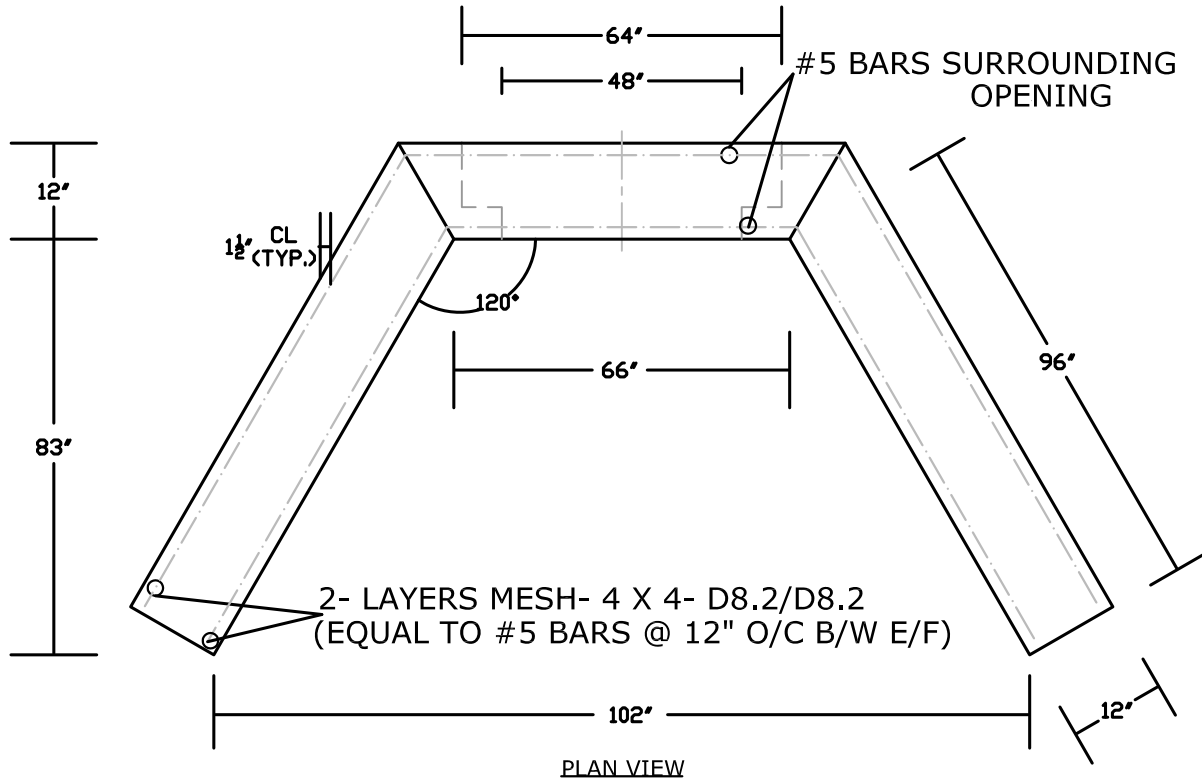
NOTES:

- CONCRETE 4,500PSI @ 28 DAYS
- REINFORCING: AS SPECIFIED, GRADE 60 REBAR
- SCALE: NTS
- MANUFACTURED IN ACCORDANCE WITH ASTM C-890
- 1" CHAMFER ON ALL EXPOSED EDGES
- WEIGHT 18,000 LBS. ±

E-7

PEERLESS CONCRETE PRODUCTS CO.

—SINCE 1959—



48" RCP WINGWALL
(AS BUILT BY PEERLESS)

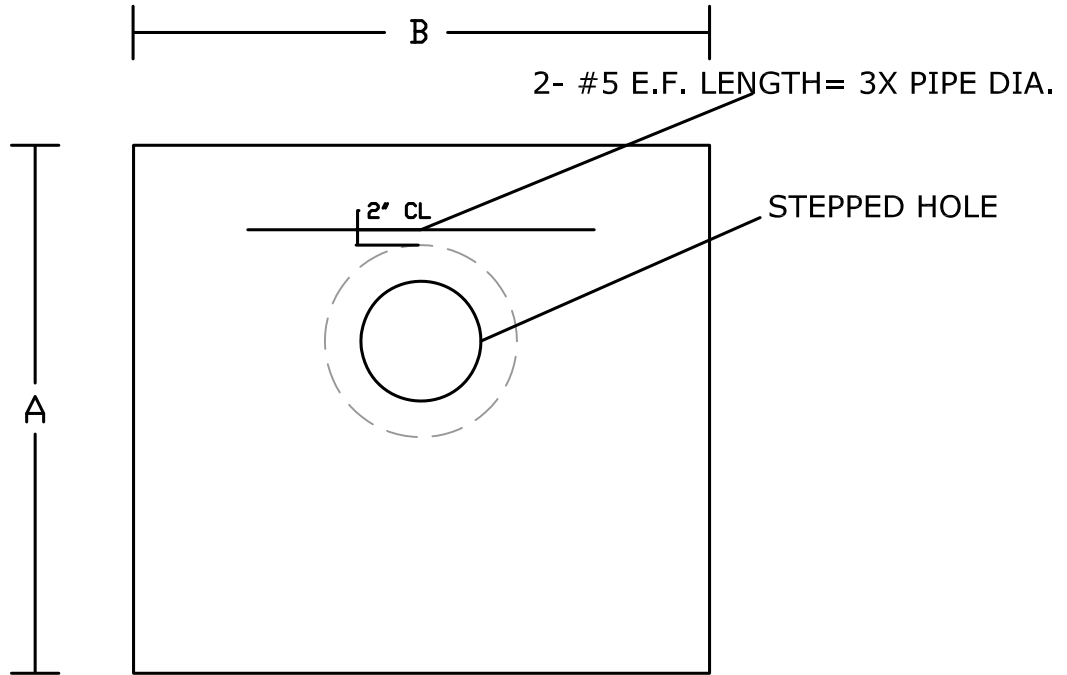
NOTES:

- CONCRETE 4,500PSI @ 28 DAYS
- REINFORCING: AS SPECIFIED,
GRADE 60 REBAR
- SCALE: NTS
- MANUFACTURED IN ACCORDANCE
WITH ASTM C-890
- 1" CHAMFER ON ALL EXPOSED EDGES
- WEIGHT 29,000 LBS. ±

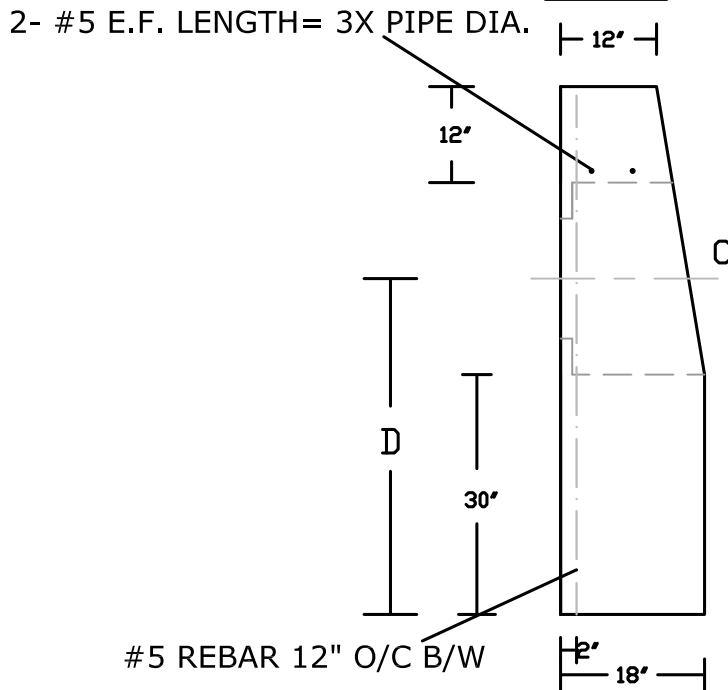
E-8

PEERLESS CONCRETE PRODUCTS CO.

—SINCE 1959—



PLAN VIEW



PIPE DIA.	A	B	C	D
12"	64"	72"	12"/20"	40"
15"	66"	72"	15"/24"	42"
18"	72"	72"	18"/27"	43"
24"	78"	84"	24"/34"	47"
30"	84"	84"	30"/40"	50"
36"	90"	84"	36"/48"	54"
48"	102"	108"	48"/64"	60"

SECTION VIEW

FLAT HEADWALL
(AS BUILT BY PEERLESS)

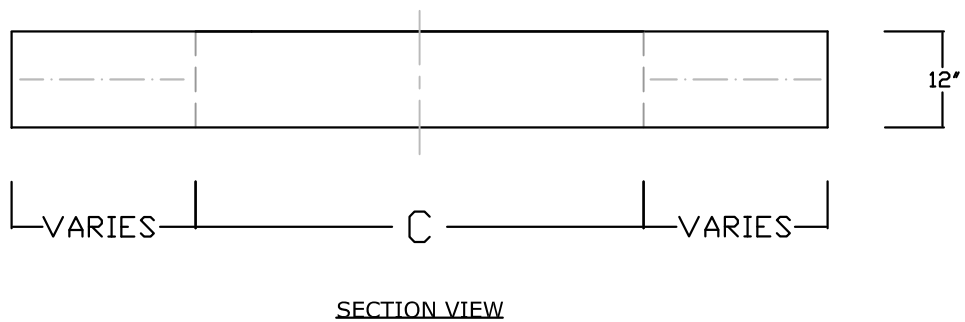
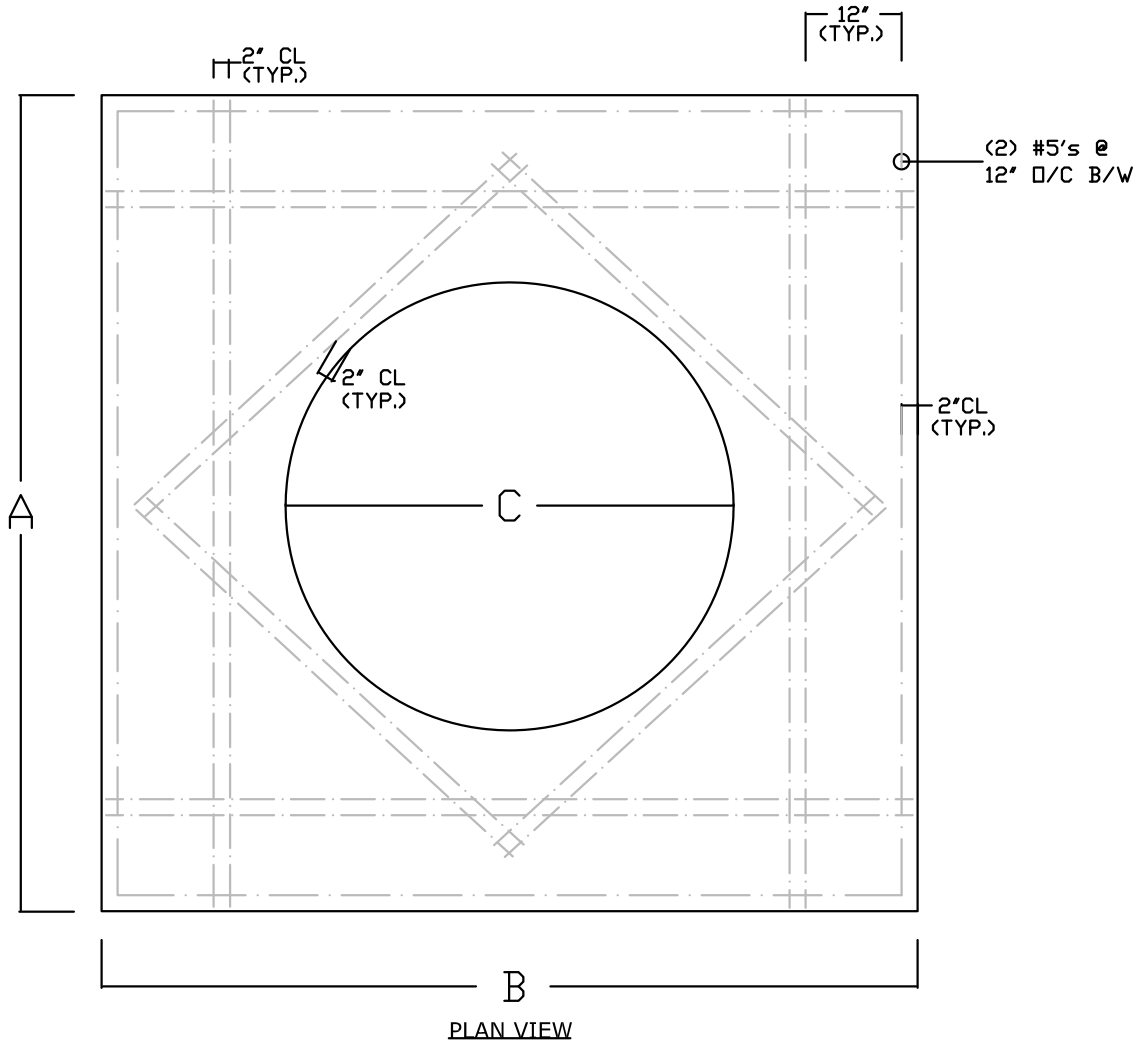
NOTES:

- CONCRETE 4,500PSI @ 28 DAYS
- REINFORCING: AS SPECIFIED, GRADE 60 REBAR
- SCALE: NTS
- MANUFACTURED IN ACCORDANCE WITH ASTM C-890
- 1" CHAMFER ON ALL EXPOSED EDGES

E-9

PEERLESS CONCRETE PRODUCTS CO.

—SINCE 1959—



ANTI-SEEP COLLAR (AS BUILT BY PEERLESS)

NOTES:

- CONCRETE: 4500PSI @ 28 DAYS
- REINFORCING: GRADE 60 REBAR
- MANUFACTURED IN ACCORDANCE WITH ASTM C-913
- SCALE: NTS

PIPE DIA.	A	B	C	D
12"	72"	72"	20"	40"
15"	72"	72"	24"	42"
18"	72"	72"	27"	43"
24"	72"	72"	34"	47"
30"	96"	96"	40"	50"
36"	96"	96"	48"	54"
48"	108"	108"	64"	60"

E-10