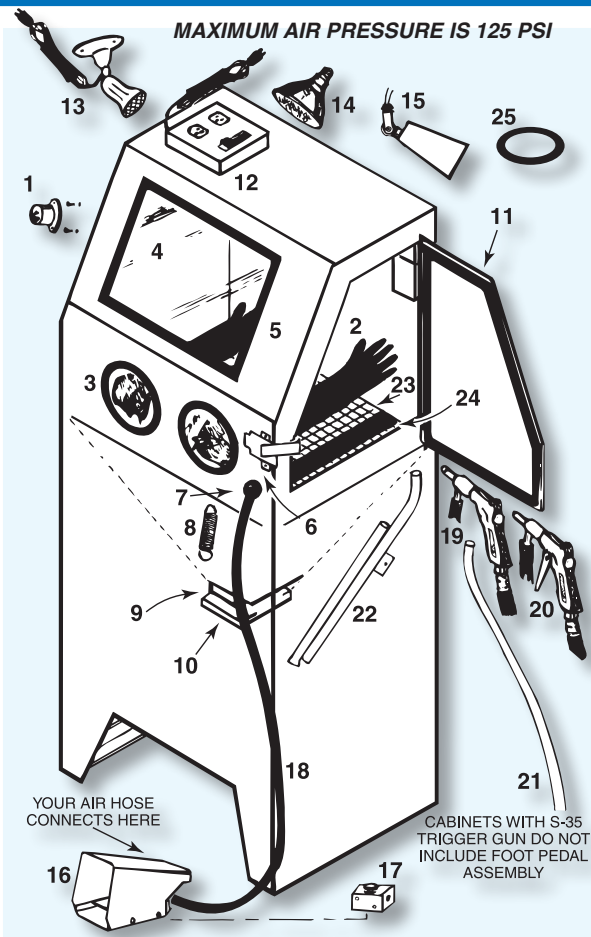


Parts Breakdown for Skat Blast Cabinets

Item Description	Order No.
1 Vacuum Hose Ferrule, bolts to cabinet	6010-00
2 24" Gauntlet Type Cabinet Gloves for 22-24" deep cabinets	6050-00
24" Left Hand Glove only	6050-LH
24" Right Hand Glove only	6050-RH
28" Gauntlet Type Cab Gloves for 28"d cabinets	6051-00
28" Left Hand Glove only	6051-LH
28" Right Hand Glove only	6051-RH
32" Gauntlet Type Cab Gloves for 34"d cabinets	6052-00
32" Left Hand Glove only	6052-LH
32" Right Hand Glove only	6052-RH
3 Glove Flange holds cabinet gloves in place, pair	6057-04
4 Std Tempered Glass Cab Lens , 12" x 24" x 3/16"	6101-00
Standard Inner Lens Protector, 10" x 21 3/4", 3 pk, for 12" x 24" cabinet lens	6101-03
Med Tempered Glass Cab Lens , 12" x 33" x 3/16"	6101-10
Medium Inner Lens Protector, 10" x 30 3/4", 3 pk, for 12" x 33" cabinet lens	6101-11
XL Tempered Glass Cab Lens , 12" x 45" x 3/16"	6101-05
XL Inner Lens Protector, 10" x 42 3/4", 3 pk, for 12" x 45" cabinet lens	6101-06
Acrylic Cab Lens , 12"x24"x.220 thick w/inner lens protector. No mtg holes. Fits Model SC-33 & SC-33V only	6102-33
Acrylic Cab Lens , 12"x24"x.220 thick w/inner lens protector. Pre-drilled mtg holes. Fits Model 780-TL & 800-T only	6102-24
5 Standard Lens Frame fits 12" x 24" cabinet lens	6101-01
Med Lens Frame fits 12" x 33" cab lens (2 pc)	6101-09
XL Lens Frame fits 12" x 45" cabinet lens (2 pc)	6101-08
6 Door Latch Assembly	6102-01
7 Hose Grommet, fits 1" hole	6112-01
8 Trap Door Spring	6114-00
9 Trap Door Gasket, adhesive back	6203-42
10 Trap Door Assembly, with gasket, less spring	6203-02
11 Door Gasket, 3/8" x 1" x 10'L (All except 780-TL, 800-T, SC-33 & SC-33V)	6217-00
12 Floodlight Assembly with floodlight holder , switch and duplex assembly, gasket and cord, less bulb. Fits 28-32" deep cabinets	6258-03
HD Floodlight Assembly with floodlight holder , switch and duplex assembly, gasket and cord, less bulb. Models 1436-1836	6258-03HD
13 Floodlight Assy w/mtg. base, 6 ft cord & grommet (Plastic, no switch or bulb). Fits slant top cabinets	H-130S
14 Floodlight, 90 watt, par 38 outdoor type. Fits 6258-03 and 6258-03HD	6258-02
15 Floodlight Holder, 115v fits 6258-03 & 6258-03HD	6258-01
16 Foot Pedal, complete with air valve	6411-00
17 Air Valve, 1/4" female pipe threads	6413-00
18 Air Hose, 7 ft long with 1/4" ends (whip hose)	6412-00
19 Foot-Pedal-Operated Cabinet Gun. Fits foot-pedal operated cabinets	C-35-M
20 Trigger-Operated Cabinet Gun. Fits trigger-operated cabinets	S-35-M
21 Siphon Hose, 24"L , to either power gun. Fits Model 731, 731-TL, 780, 780-TL, 781, 800-T, SC-33 & SC-33V	6500-24
Siphon Hose, 36" long , to either power gun. Fits Model SC-35V, SC-45V, SC-28, SC-28V, SC-34, 850, 850-T, 930, 935, 950, 951, 952, SC-40, 940-DLX, SC-46, 960, 960-T, 960-SE, 965, 966, 970, 976 & 985	6500-00
Siphon Hose, 48" long , to either power gun. Fits Model 979, 992, 1436, 1500, 1536, 1636 & 1836	6500-04
22 18 1/4"L Pickup Tube Assembly - Model SC-33, SC-33V, 780, 780-TL, 800-T, 930, and 935	6442-04
27 1/2"L Pickup Tube Assembly - Fits SC-35V, SC-45V, SC-28, SC-28V, 850, 850-T, SC-34, 950, SC-40, 940-DLX, SC-46, 960, 960-DLX, 960-T, 960-SE, 966, 970, 976, 985, 992, 1400, 1800, 1836, (1500 & 1600 before 7/2000). Curved end	6442-274
31 1/2"L Pickup Tube Assy - Fits Model 979, 1436, 1536, 1636, (1500 & 1600 after 7/2000). Curved end	6442-314



Item Description	Order No.
23 Bottom Screen , 18 1/8" x 30 1/4", Model 780, 780-TL, 800-T, SC-33, SC-33V, 930, 935	6603-04
Bottom Screen , 27 5/8" x 33 1/4", Model SC-35V, SC-34, 850, 850-T, 950, 951, 952	6603-00
Bottom Screen , 27 5/8" x 46 5/8", Model SC-45V, SC-46, 960, 960-DLX, 960-T, 960-SE, 965, and 966	6603-01
Bottom Screen , 27 5/8" x 57", Model 970, 975, 976	6603-02
Bottom Screen , 27 5/8" x 71 1/2", Model 985	6603-03
Bottom Screen , 33 1/2" x 45 1/2", Model 1400, 1436	6603-08
Bottom Screen , 33 1/2" x 57 1/2", Model 979, 1500, 1536	6603-09
Bottom Screen , 33 1/2" x 71 1/2", Model 1600, 1636	6603-10
Bottom Screen , 33 1/2" x 95 1/2", Model 1800, 1836	6603-11
Note - Bottom screens are plus UPS and may be in 2 pieces to meet shipping size limits - call for shipping cost.	
24 Screen Support, 28" deep cabinets	6603-28
25 Trim Seal Ring, rear air inlet - Rubber, all models	6200-09

USA Continuous Side Door Hinge

Continuous Hinge (piano hinge) for cabinet side loading door. 24"L x 2"W x 14 gauge unplated steel.....#6108-00

Parts are for replacement of "wear items" and for normal maintenance, and are not intended to be resold in quantity for manufacturing purposes, nor to be used on equipment not manufactured by us. **Accordingly, we reserve the right to limit the sale of certain components.**
Order before 2 pm EST for fast, same-day shipping.