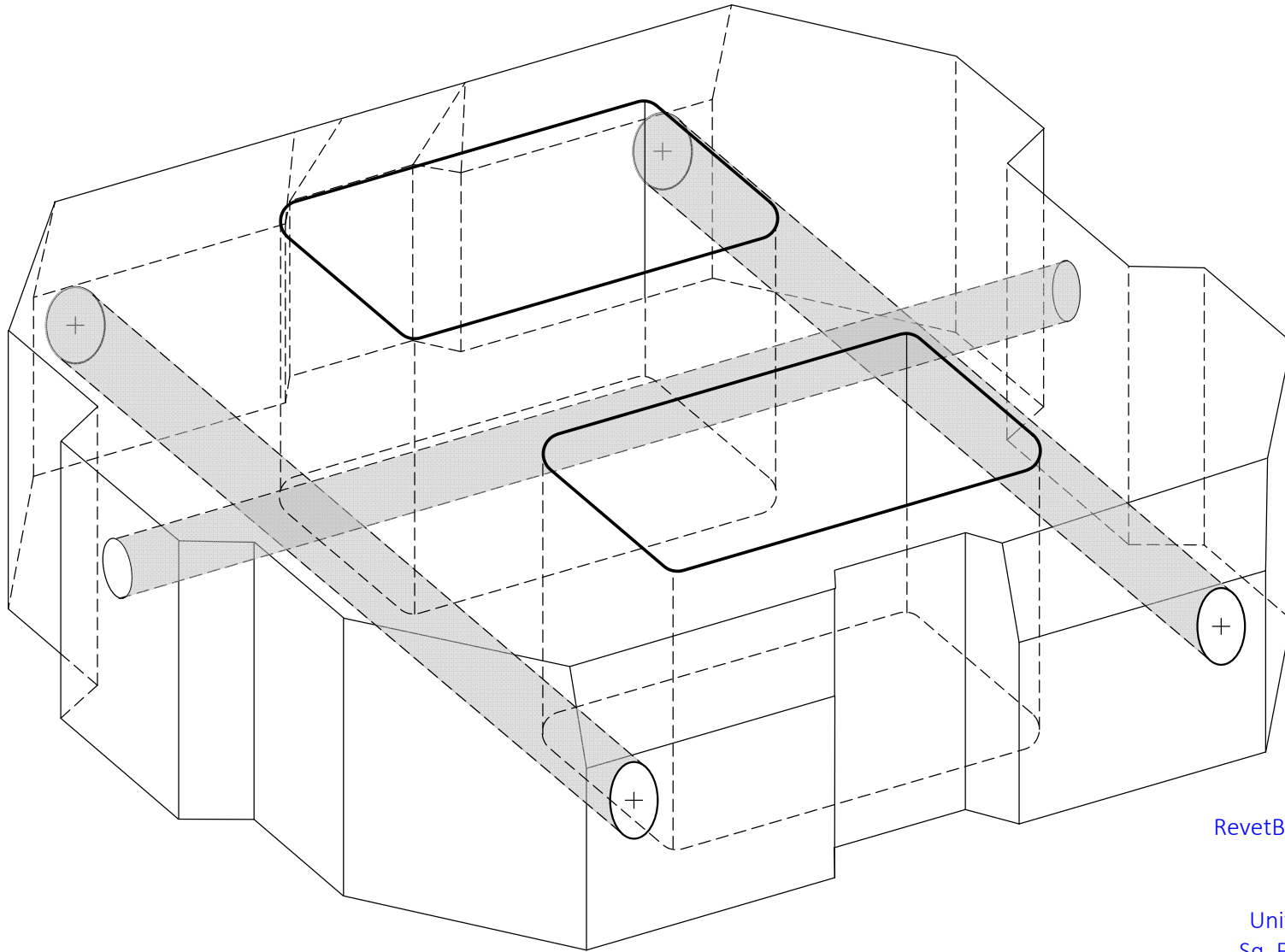


# RevetBlok™ I R-41616-20 Male Block



RevetBlok™ I R41616-20  
Open Cell

Unit 56lbs. - 63lbs  
Sq. Ft. 32lbs. - 36lbs

Open Area 20%

Coverage Area 1.78 Sq. Ft.

## NOTES

Mattress construction requires a Female RevetBlok on each row to allow the horizontal cable to be connected to the adjacent mattress.

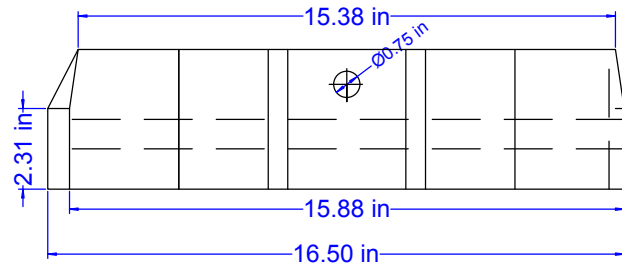
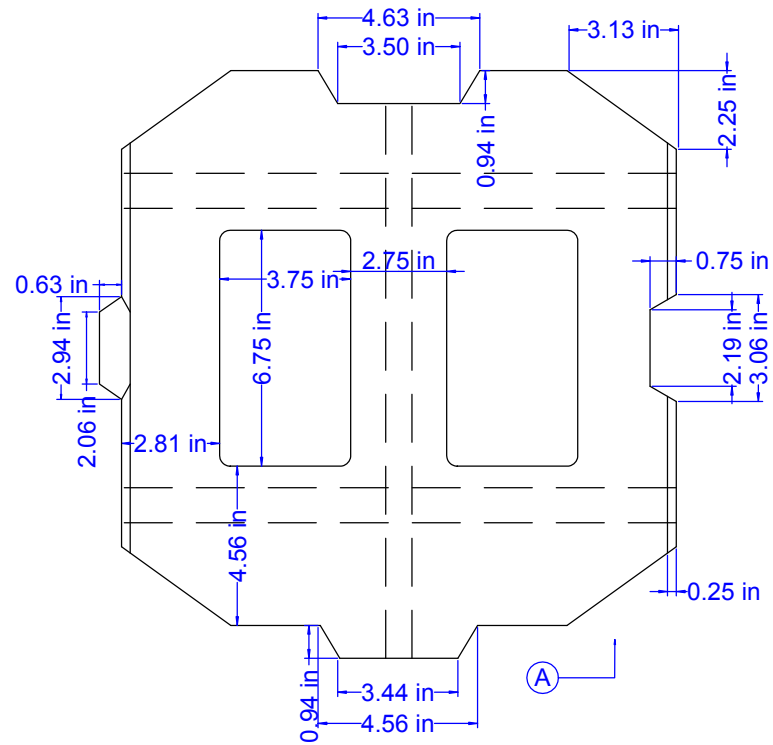
## TECHNICAL SPECIFICATIONS

The RevetBlok is manufactured in accordance with ASTM 90 and C140.

- 1 - RevetBlok™ R-41616-20 Unit Weight is 56lbs - 63lbs.
- 2 - Minimum Compressive Strength 4,000 psi.
- 3 - Maximum Absorption 5%.
- 4 - Dimensional Tolerance +/- 1/8".

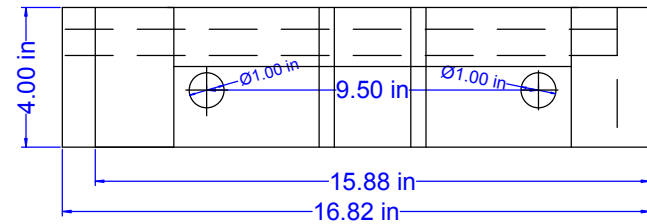
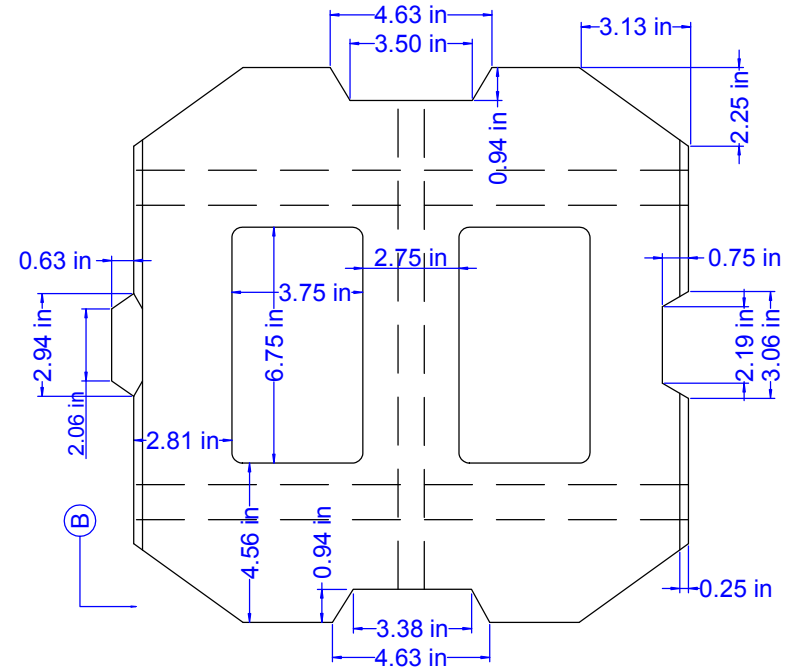
<b>RUDLOFF EROSION</b> 1005 Farmers Rd Brenham, TX 77833 800-259-3178 Fax: 979-830-1040 www.rudlofferosion.com	RevetBlok™ I R-41616-20	Date: 06-27-2019	Drawing Name: Block Details
	Project Name:	Revisions: Ver. 03	Scale: Not To Scale

# RevetBlok™ | R-41616-20 Male Block



**Section A**

# RevetBlok™ | R-41616-20 Female Block



**Section B**

**NOTES**

Mattress construction requires a Female RevetBlok on each row to allow the horizontal cable to be connected to the adjacent mattress.

**TECHNICAL SPECIFICATIONS**

The RevetBlok is manufactured in accordance with ASTM 90 and C140.

- 1 - RevetBlok™ R-41616-20 Unit Weight is 56lbs - 63lbs.
- 2 - Minimum Compressive Strength 4,000 psi.
- 3 - Maximum Absorption 5%.
- 4 - Dimensional Tolerance +/- 1/8".

<b>RUDLOFF EROSION</b> 1005 Farmers Rd Brenham, TX 77833 800-259-3178 Fax: 979-830-1040 www.rudlofferosion.com	RevetBlok™   R-41616-20	Date: 06-27-2019	Drawing Name: Block Details
	Project Name:	Revisions: Ver. 03	Scale: Not To Scale