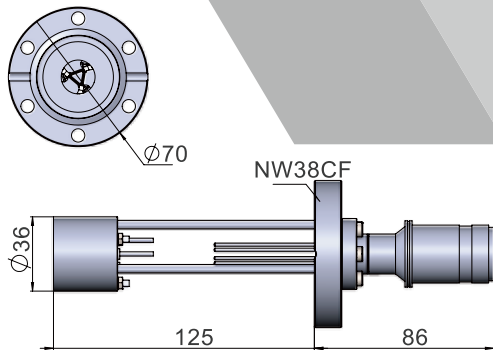


# Alkaline Metal Evaporator



Part Number AMEC38



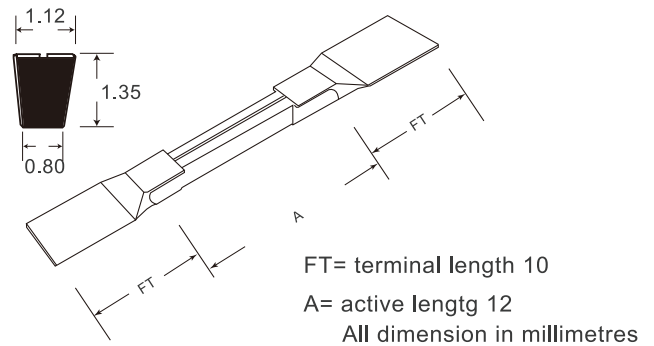
Alkaline Metal are used widely in electrical doping and preparing cathode films, however the chemical property of alkaline metal is so active that it makes it impossible to load pure alkaline metal into effusion cells without the application of a glove box or vacuum transfer box.

An alternative way is to use the Alkali Metal Dispensers (AMD), it is an efficient and safe method of depositing ultrapure alkali metals such as Cesium, Potassium, Sodium, Rubidium and Lithium. AMDs keep the alkali metal pure in the form of a stable salt combined with a getter material. The presence of the getter material guarantees an ultrapure environment during the alkali evaporation.

The Alkaline Metal Evaporator is designed to be compatible with SAES AMD model X/NF/xx-/12/FT10+10 and could accept up to 3 AMDs at a time. Deposition of individual channels or co-deposition could be chosen at the power supply. All AMDs could be easily accessed and replaced at the time of service. No other consumable parts on the alkaline metal evaporator.

## Specification

- ✓ Activation current: 4.5-7.5A
- ✓ Max degassing temperature: 500°C
- ✓ Standard active lengths: 12mm
- ✓ Minimum bending radius: 40mm



Alkali metal	Content (mg) A=12mm	Start evaporation (Amp)*	
		Average	Standard Deviation
Caesium Cs	5.2	4.7	0.2
Potassium K	2.9	5.3	0.2
Sodium Na	1.7	6.0	0.2
Rubidium Rb	4.5	5.3	0.2
Lithium Li	0.8	7.3	0.2