

Tire Changer

REPAIR PARTS



Mount/Demount Heads	2
Seal Kits & Parts	3
Protection	3
Tire Changer Air Hoses	4
Air Gauge & Parts	4
Tire Lube Supplies	4
Motors & Kits	5
Bead & Combo Tools	5
Belts, Tubing, Pads	6
Miscellaneous	7

SVI International, Inc.

(800) 321-8173 • fax: (800) 899-1784

155 Harvestore Drive • DeKalb, IL 60115

www.sviinternational.com

BALTIMORE • CHICAGO • LOS ANGELES

Repair Parts for: **Tire Changers**

Repair Parts for:
Tire Changers

TC1000

Nylon Mount/Demount Duckheads

Stock up with SVI!

Many options available! Call today!

**SVI is Prepared to Be Your
Duckhead Supplier!**
Don't see what you need?
Call SVI today for more parts!



BW-1230-61 Nylon Mount/Demount Duckhead KIT with Tapered Hole

BW-1229-60 For Duckhead only (OEM #8182960)

OEM#	OEM#	Tire Changer
Coats	8183061	5030 • 5040 • 5050 • 5060 • 5065 6050 • 6060 • 6065 • 7050 • 7055 7060 • 7065 • 7655 • 7660 • 7665



BW-1010-08 Nylon Mount/Demount Duckhead/Shoe with Round Hole

OEM#	OEM#	Tire Changer
All Tool	G3008403	All Models
Coats	83008403 / 830084031	RC 1 • 5 • 10 • 15 • 20 • Early 5060 9010 • 9024 • APX90
Corgi	450310 / 250309	All Rim Clamp (Optional Accessory)
Hofmann	2200981 / 8314813	All Earlier Models Except 1550 • 1620 • 1625
Hunter	RP11-8314813	TCX Series
Launch		All models—Requires standard flange adapter
Sice	8314813	M39, S40, S41, S42, S43, S45, S408MAXI, S435, S436, S436TOP



BW-8400-00 Nylon Mount/Demount Duckhead KIT

BW-1040-07 For Duckhead only (OEM # 20024335 / ST0024335 / 4026251)

OEM#	OEM#	Tire Changer
Accuturn	14024784	3602 • 3602HP • 4260 • 4560MR 4602 • 5602 • 5602HP
Hofmann	4024784	1520 • 1565 • 1620 • 1625 1625EM • 3300 • 3300EM Monty 1270, 2300, 3000, 3000GP
John Bean	EEA 0247G20A	EHP System IVE • IV • III • IIE
Snap On	EEA 0247G20A	All Models

More duckheads are available. Some are pictured with other Common Parts by Brand.

Call if you don't see what you need! 800-321-8173



Nylon Mount/Demount Duckheads



Mount/Demount Head
BW-4010-02
(OEM RP6-0343)

BW-4010-02 Nylon Mount/Demount Duckhead

OEM#	OEM#	Tire Changer
Hunter	RP6-0343	TC150 • TC250 • TC300 • TC325 TC3250 • TC350 • TC3500
Accu-Turn	102529	220A



BW-4010-06 (OEM N/A) Mount/Demount Adapter —

Allows Many Tire Changers to be Adapted for Use of Nylon Mount / Demount Heads

Mount/Demount Adapter Works Using the Standard Hunter (BW-4010-02) Nylon Head and will Allow the Head to Adapt to **CEMB** (All Models), **Corghi** (All Models), **Hofmann** (Early Models), **Ranger** (All Models), and **Launch** (All Models)

Order Nylon Mount / Demount Head: BW-4010-02

Convert Your Tire Changer from Steel to Plastic Mount/Demount Heads!

Works with "The Red Head"

- For **Corghi** - All Models
- For **CEMB** - All Models
- For **Hofmann** - Early Models
- For **Ranger** - All Models
- For **Launch** - Some Models

Save \$\$ with this Conversion Adapter Kit



BW-4010-06K
Mount/Demount Adapter Kit
(Includes 1 Adapter and 1 Hunter-Style duckhead)



BW-4010-02
Replacement Hunter-Style Mount/Demount Head

Looking for a different head? Steel Duckheads? Just ask. 800-321-8173

Seal Kits & Parts



Bead Breaker Seal Kit
For Coats 50, 60 & 70 Series
BW-1220-79
(OEM 8182079, 182079)



Air Cylinder Seal Kit
For Sice
BW-1010-24
(OEM 2200950)



Bead Breaker Seal Kit
For Coats / Corghi
(Used on RC-5A)
BW-1211-63
(OEM 8181163, 223810,
Corghi-238212-also see BW-3000-03)



8" Piston Cup for Coats
BW-1215-17
(OEM 8181517)



Bead Breaker Seal Kit
For Corghi
BW-3000-03
(OEM 238212, 900238212)



3-3/4" Piston Cup
for Coats
BW-1216-30
(OEM 8181630)



Table Top Seal Kit
For Coats 50, 60 & 70 Series
BW-1238-11
(OEM 8183811, 8182080)



Double Lip Seal
For Accuturn
BW-1040-13
(OEM 20007395)



Table Top Seal Kit
For Coats RC5, 10, 15, 20
BW-1211-62
(OEM 8181162)



Bead Breaker Repair Kit
BW-8400-04
OEM # N/A
Used on Snap-On, Hofmann
and John Bean bead breakers
that were manufactured by
GS Boxer starting in
Summer of 2002.



Turn Table Seal Kit
For Corghi
BW-3000-02
(OEM 238548)

What kit should we add here?
*Call and tell us your
most used kits and parts!*



Seal Kits & Parts



**Bead Breaker Seal Kit
2-Hose**
For Ranger RX-850/950
BW-6000-10
(OEM 5400525)



**Bead Breaker Seal Kit
1-Hose**
For Ranger RX-850/950
BW-6000-11
(OEM 5400526)



**Clamping Cyl. Kit
for Sice**
BW-1001-43
(OEM 2200600)



**Clamp Cylinder Wiper
Upgrade Kit for Hofmann**
BW-7001-20
(OEM 4027170x)



**Bead Breaker Cyl. Kit
for Sice**
BW-1001-45
(OEM 2200603)



**Poly Shaft Seal
for Coats**
BW-1237-86
(OEM 8183786)



**Roboarm Cylinder
Seal Kit for Coats**
BW-1244-94
(OEM 8184492)



Cup Seal for Coats
BW-1668-35
(OEM 8106835)



Drop Center Tool & Combo Tool

Drop Center Tool / Clamp
SVI # **BW-2368-51**

FITS:

Ammco (OEM # 8435685)
Accuturn (OEM # 400344 / 1400344)
Coats (OEM # 84356851)
Corghi (OEM # 435685A / 801435685)
Perfect Hofmann, RJ West
(OEM # 6410190)
Hunter (OEM # RP6-70210E)
Kwikway (OEM # 5800084-13)
Snap-On (OEM # EAA0247G70A)
AND MORE!



Combo Tool for Many Models
SVI # **BW-2107-68**

FITS:

Ammco / Coats Model #'s 4040 & 4050
(OEM # 8000768)
FMC/John Bean (OEM # 66679)
Perfect Hofmann, RJ West (OEM # 66679)
Hunter (OEM # RP6-1828)

Motors, Valves and Misc. Parts



Air Motor for Coats
Order SVI # **BW-1211-90**
OEM # 8181190

Air Motor Repair Kit for Coats
Order SVI # **BW-1211-90-1**
OEM # 8181190-1



Air Motor Muffler for Coats
Order SVI # **BW-1211-90-2**
OEM # 8181190-2



Reversible Air Motor for Coats
SVI # **BW-1225-72**
OEM # 8182572

Air Motor Repair Kit for Coats
Order SVI # **BW-1225-72-1**
OEM # 8182572-1



Tire Changer Hoses



Hose for Coats
SVI # **BW-1668-71**
OEM # 8106871



Hose for Hofmann
SVI # **BW-7000-02**
OEM # 2408318



11' Inflator Hose
Hose for Corghi
SVI # **BW-3000-17**



Hose for Corghi
SVI # **BW-3000-06**
OEM # 714100



Hose for FMC and Perfect/Hofmann
SVI # **BW-6050-12**
OEM # 67715



Hose for Hunter
SVI # **BW-4010-04**
OEM # 137-86-2

Air Gauge & Parts



Air Gauge For Coats
(includes gauge, lens, gasket and rivets)
SVI # **BW-1679-85**
OEM # 8107985



Lens & Gasket for Coats
SVI # **BW-1675-17**
OEM # 8107517

Lube Buckets & Swabs



Lube Bucket for Coats
SVI # **BW-1665-72**
OEM # 8106572



Lube Bucket for Coats
SVI # **BW-1662-59**
OEM # 8106259
OEM # 81062591



11-1/2" Swab
SVI # **BW-2104-91**
OEM # 8000491



16" Swab
SVI # **BW-2503-66**
OEM # 8120366

Don't see what you need?

New Parts Added Every Day!

Call SVI today!

Stock up with SVI.

Protection Items



Mounting Head Protector for Sice
(20 pcs per bag)
SVI # **BW-1001-34**
OEM # 2201658



Plastic Rim Clamp for Accuturn
SVI # **BW-1040-09**
OEM # 0011064

Tire Changer Valves

Tire Changer Valves

American-Made

NOTE: New Rectangle Body Style now used on all valves shown on these two pages;
(your valve body may look like BW-1219-86 pictured below).

**New Rectangle
Body Style**



BW-1219-86 for Coats
(OEM Ref 8181986)
**Manual Stud Actuator
(No Spring)**

For Models:

- 5030A, 5030E, 5035A, 5035E, 5040A, 5040E, 5050A, 5050E, 5060E, 5060EX, 5060A, 5060AX, 5065A, 5065AX, 5065E, 5065EX,
- 6050A, 6050AX, 6050E, 6050EX, 6060AX, 6060EX, 6065A, 6065AX, 6065E, 6065EX
- 7050AX, 7050EX, 7055AX, 7055EX, 7060AX, 7060EX, 7065AX, 7065EX, 7660AX, 7660EX, 7665AX, 7665EX,
- APX80A, APX80E, APX90A, APX90E
(used for tilt tower control on APX models).
- RC-100, RC-150EX, RC-200EX



BW-1236-91 for Coats
(OEM Ref 8184369, 81843691)
**Manual Stud Actuator
(Spring Center)**

For Models:

- 5030A, 5030E, 5035A, 5035E, 5040A, 5040E, 5050A, 5050E, 5060A, 5060E, 5060AX, 5060EX, 5065A, 5065AX, 5065E, 5065EX
- 6050A, 6050AX, 6050E, 6050EX, 6060AX, 6065A, 6065AX, 6065E, 6065EX
- 7050AX, 7050EX, 7055AX, 7060AX, 7065AX, 7065EX, 7660AX, 7665AX



BW-1219-95 for Coats
(OEM Ref 8181995)
**Remote Pilot
(Spring Return)**

For Models:

- 6060AX, 6060EX
- 7060AX, 7060EX, 7660AX, 7660EX, 7665AX, 7665EX



BW-1248-78 for Coats
(OEM Ref 8184878)
**Lift Assist
(Spring Center)**

For Models:

- APX80A, APX80E, APX90A, APX90E



BW-1236-42 for Coats
(OEM Ref 8183642)
**Hand Operated
(Spring Center)**

For Models:

- 7050AX, 7050EX, 7055AX, 7055EX, 7060AX, 7060EX, 7065AX, 7065EX, 7660AX, 7660EX, 7665AX, 7665EX



BW-1255-85 for Coats
(OEM Ref 8185585)
**Robo Arm
(Spring Center)**

For Models:

- APX80A, APX80E, APX90A, APX90E



Tire Changer Valves *(continued)*



BW-1255-86 for Coats
(OEM Ref 8185586)
Auxiliary Arm
(Spring Center)

For Models:

- APX80A, APX80E, APX90A, APX90E



BW-1256-21 for Coats
(OEM Ref 8185621)
Roller Assist
(Spring Center)

For Models:

- APX80A, APX80E, APX90A, APX90E



BW-1255-81 for Coats
(OEM Ref 8185581)
Bead Loosener
(Spring Center)

For Models:

- APX80A, APX80E, APX90A, APX90E

Insist on Lift Repair Parts from SVI!

With over 30,000 parts available, SVI is the most requested supplier in the industry!



BW-6050-45 for Hofmann / FMC
(OEM Ref 87165 / 8787165)
Manual Stud Actuator
(Pilot Return - Spring Asst.)

For Models:

- Hofmann Monty 2700 and FMC 7600, 7700, & 8800 Center-Post Tire Changers

Most 8800 models had 3 air connections to the valve; but some early models had 4 air connections. The new valve does not require the 4th connection (at the back of the valve) and that hose should be capped / plugged.



Seal Kit for Air Valves
Order SVI # **BW-1236-91K**
Seal Kit is for these Valves:
BW-1219-86 (OEM 8181986)
BW-1236-91 (OEM 8183691)
AND OTHERS



Seal Kit for Air Valves
Order SVI # **BW-2263-33**
(OEM 8116333)
Seal Kit is for these Valves:
BW-1219-86 (OEM 8181986)
BW-1236-91 (OEM 8183691)
AND OTHERS



BW-1642-09
Muffler
(OEM 8184209 / 8182734)

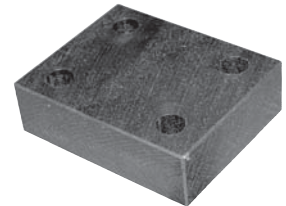
Pads



Small Bead Loosener Pad
SVI # **BW-1211-73**
OEM # 8181173



Large Rubber Pad
SVI # **BW-1218-55**
OEM # 8181855



Bead Loosener Pad - Front
SVI # **BW-1218-51**
OEM # 8181851

Belts



Belt for Corghi
SVI # **BW-3000-01**
OEM # 900425238, 425238



Belt for Coats
SVI # **BW-1200-47**
OEM # 8180047



Nylon Tubing

SVI #	OEM #	OEM	Size
BW-1220-03	8182003	Coats	3/8" x 18.75"
BW-1220-04	8182004	Coats	3/8" x 30"
BW-1220-05	8182005	Coats	3/8" x 20"
BW-1220-07	8182007	Coats	1/8" x 60"
BW-1220-36	8182036	Coats	3/8" x 12.25"
BW-1220-37	8182037	Coats	1/4" x 10"
BW-1228-36	8182836	Coats	3/8" x 15.5"
BW-1238-81	8183881	Coats	3/8" x 7"
BW-1245-98	8184598	Coats	3/8" x 15.5"

This is a small sampling of available parts. Please call SVI for any tire changer parts you need!

SVI has it all!

Miscellaneous



**Filter/Lubricator
For Coats (Manual Style)**
SVI # **BW-1228-27**
OEM # 8182827

**Filter/Lubricator
For Coats (Auto Style)**
SVI # **BW-1228-27-1**
OEM # 81828271



Male Elbow
SVI # **BW-1219-98**
OEM # 8181998



Male Fitting
SVI # **BW-1219-99**
OEM # 8181999



**Regulator
For Coats**
SVI # **BW-2210-83**
OEM # 8111083



**Angled Applicator
Brush / Paste Brush**
BW-4010-03
(OEM RP6-1506 / 85000850)




**Quick Exhaust Valve
For Coats**
SVI # **BW-1211-91**
OEM # 8181191




**Push Button
For Coats**
SVI # **BW-1220-47**
OEM # 8182047



**Bleed Valve Assy
For Coats**
SVI # **BW-1235-02**
OEM # 8183502



**Fitting for
Rotary Coupling**
SVI # **BW-1648-44**
OEM # 8104844



Bead Pusher Tool
BW-7001-04
(OEM EAC0078G21A)


Miscellaneous



1/4" Filter Regulator/Lubricator
SVI # **BW-1039-FRL**



**1/4" Filter Regulator/
Lubricator w/Air Take Off**
SVI # **BW-1039-FRL-AT**



Mobil Mobilith Grease

Call SVI to Stock Up Today!

- Tire Changers • Brake Lathes
- Ideal for use when rebuilding lubrication equipment such as Graco and Lincoln
- Excellent lubricant for automotive lifts, especially cassette-style in-ground lifts
- Awesome for use when lubricating in-ground lift equalizer assemblies and on Weaver and SVI upper bearings
- Use anytime you are rebuilding anything

SVI#	DESCRIPTION
BL-MB-1500	Mobil Mobilith SHC 1500 - red
BL-MB-1500C	Mobil Mobilith SHC 1500 - red (case/10)
BL-MB-0220	Mobil Mobilith SHC 220 - red
BL-MB-0220C	Mobil Mobilith SHC 220 - red (case/10)
BL-MB-0220-PM	Mobil Mobilith SHC 220 PM - white
BL-MB-0220-PMC	Mobil Mobilith SHC 220 PM - white (case/10)



Commonly Requested Parts for:

Accu-Turn

SVI part#	OEM#	Description
BW-1040-02	101608	Plastic Inserts - Duckhead (5-Pack)
BW-1040-03	102725	Plastic Protection - Back Head
BW-1040-04	102529	Plastic Duckhead
BW-1040-05	102765	Adapter
BW-1040-07	20024335	Nylon Mount/Demount Head ST0024335
BW-1040-08	7040080	Roll Pin
BW-1040-09	0011064	Plastic Rim Clamp
BW-1040-12	20013155-K	Air Controlled Valve
BW-1040-13	20007395	Double Lip Seal
BW-1040-14	20030914A	Plastic Insert
BW-1040-16	433641	Feed Motor & Fan
BW-1040-18	30001003	Nylon Duckhead with Adapter (For when switching from steel to nylon)
BW-1040-20	20001349	Center Pad
BW-1040-22	24014921	Valve for 3390
BW-2368-51	1400344	Drop Center Tool
BW-	14024784	Nylon Mount / Demount Kit EAA0247G20 (For head only, order BW-1040-07)
BW-8400-01	2011064-10	Plastic Inserts (10-Pack)



BW-8400-00
Nylon Mount/Demount
Duckhead KIT
(OEM 14024784)

• For Duckhead ONLY,
Order BW-1040-07
(OEM 20024335)



BW-2368-51
Drop Center Tool
Accuturn (OEM # 1400344)

CEMB

BW-5500-01	3006689	Upper Insert for Mount/Demount Head
BW-5500-02	3013650	Lower Insert for Mount/Demount Head
BW-5500-04	4198531	1" Pneumatic Valve
BW-4010-06	N/A	Mount/Demount Adapter (to be used with standard Hunter-Style Nylon Mount/Demount Heads)

Many more parts for these and other brands of tire changers are available. Please call toll free 800-321-8173 if you don't see something listed.



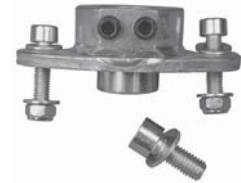
BW-1040-02
Plastic Inserts
(5-Pack)
(OEM 101608)



BW-1040-03
Plastic Protection
(Back Head)
(OEM 102725)



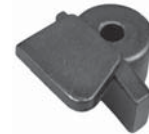
BW-1040-04
Plastic Duckhead
(OEM 102529)



BW-1040-05
Adapter
(OEM 102765)



BW-1040-08
Roll Pin
(OEM 7040080)



BW-1040-09
Plastic Rim Clamp
(OEM 0011064)



BW-1040-18
Nylon Duckhead
with Adapter
(For when switching
from steel to nylon)
(OEM 30001003)



BW-5500-01
Upper Insert for
Mount/Demount Head
for CEMB
(OEM 3006689)

For **All CEMB Models**
and Others

Save Money and Convert—
No More Steel Heads!



BW-4010-06K
Mount/Demount Adapter Kit
(Includes 1 Adapter and 1 Hunter-Style duckhead)

• Uses Hunter-Style Mount/Demount Replacement Head **BW-4010-02**

Commonly Requested Parts for: Coats

SVI part#	OEM#	Description
BW-1200-47	8180047	V-Belt
BW-1200-58	81105431	Hub Nut for 600, 650, 700, 850, 95x, 10xx, 1250, XR
BW-1201-04	8182577	Swing Arm
BW-1201-05	8181082	Cam Lock Handle
BW-1201-06	8182371	Wave Spring Washer
BW-1201-08	8181788	Lock Plate
BW-1201-09	8181035	Lock Plate Lift Pin
BW-1202-30	8180230	Spring, for Bead Breaker Arm
BW-1210-38	8181038	Pivot Pin
BW-1210-65	8181065	Bead Loosener Pad (Large Center Pad) RC-15/RC-20
BW-1210-82	8181082	Lock Handle
BW-1211-14	8181114	Adj. Knob Screw Assembly for Coats
BW-1211-62	8181162	Table Top Cylinder Seal Kit
BW-1211-63	8181163	Bead Breaker Cylinder Seal Kit (Also OE#8181642, 223810, 238212)
BW-1211-73	8181173	Small Bead Loosener Pad
BW-1211-90	8181190	Air Motor - 4 Vane Reversible (shown with Motors)
BW-1211-90-1		Air Motor Repair Kit - 4 Vane
BW-1211-90-2		Muffler for Air Motor
BW-1211-91	8181191	Quick Exhaust Valve
BW-1212-03	8181203	Reducing Bushing 1/2"-1/4"
BW-1212-06	8181206	Muffler
BW-1212-07	8181207	Close Nipple 3/8 NPT
BW-1213-29	8181329	Adapter for Rim Clamp Spreader (Use with OE 8108028 / BW-1680-28 or 8000347)
BW-1213-54	8181354	Bead Lifting Tool for Rim Clamp
BW-1215-17	8181517	8" Piston Cup (pictured in seal kits section)
BW-1215-54	8181554	Tray Kit for Rim Clamps
BW-1215-74	8181574	Barrel - Bead Loosener Cylinder
BW-1216-19	8181619	Tall Motorcycle Clamp Kit
BW-1216-22	8181622	Cap - Cylinder Bottom
BW-1216-27	8181627	Sleeve
BW-1216-29	8181629	Shaft
BW-1216-30	8181630	Piston Cup - Table Top Seal Kit
BW-1216-31	8181631	O-Ring
BW-1216-32	8181632	Bearing, Nylon Sleeve
BW-1216-75	8181675	Foot Pedal
BW-1216-77	8181677	Standard Clamp
BW-1216-95	8181695	Cam Mounting Block
BW-1216-96	8181696	Cam Follower Lever
BW-1216-99	8181699	Lever - Switch
BW-1217-08	8181708	Pedal Spring
BW-1217-28	8181728	Lever - Switch Actuator
BW-1217-33	8181733	Pivot Block
BW-1217-34	8181734	Pivot Link
BW-1217-80	8181780	Cap - Slide Lock Cylinder
BW-1217-81	8181781	Base - Slide Lock Cylinder
BW-1217-85	8181785	Seal - Slide Lock Cylinder
BW-1217-88	8181788	Lock Plate
BW-1218-51	8181851	Bead Loosener Pad - Front
BW-1218-55	8181855	Large Rubber Pad
BW-1219-04	8181904	Link Bolt - Table Top



Hub Nut
BW-1200-58 (OEM 81105431)
For Models 600, 650, 700, 850,
95x, 10xx, 1250 & XR



Bead Breaker Seal Kit
(Used on RC-5A)
BW-1211-63
(OEM 8181163, 8181642,
223810, 238212)



Small Bead Loosener Pad
BW-1211-73
(OEM 8181173)



Belt for Coats
BW-1200-47
(OEM 8180047)



Muffler
BW-1212-06
(OEM 8181206)



Cam Follower Lever
BW-1216-96 (OEM 8181696)



Quick Exhaust Valve for Coats
BW-1211-91
(OEM 8181191)



Lever - Switch
BW-1216-99
(OEM 8181699)



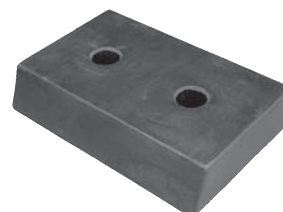
Pedal Spring
BW-1217-08
(OEM 8181708)



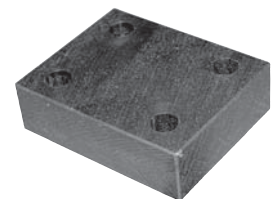
Pivot Block
BW-1217-33
(OEM 8181733)



Link Bolt - Table Top
BW-1219-04
(OEM 8181904)



Large Center Rubber Pad
BW-1218-55
(OEM 8181855)



Bead Loosener Pad - Front
BW-1218-51
(OEM 8181851)

Many more parts for these and other brands of tire changers are available.

Please call toll free 800-321-8173 if you don't see something listed.

All names, numbers, symbols and descriptions are used for reference purposes only. It is not implied that any part listed is the product of these manufacturers; however, some parts may be the actual product of these manufacturers.



Commonly Requested Parts for: Coats

BW-1219-31	8181931	Bracket - Motor Mounting
BW-1219-86	8181986	4-Way Control Valve
BW-1219-88	8181988	Male Branch Tee 1/4 NPT x 3/8
BW-1219-90	8181990	Spider Assembly
BW-1219-95	8181995	4-Way Piloted Valve
BW-1219-98	8181998	Male Elbow
BW-1219-99	8181999	Straight Male Fitting
BW-1220-04	8182005	3/8" x 20" Nylon Tube
BW-1220-24	8182024	Ball
BW-1220-28	8182028	Spring
BW-1220-31	8182031	Rubber Bumper
BW-1220-34	8182034	Rotary Coupling
BW-1220-47	8182047	Push Button
BW-1220-79	8182079	8" Seal Kit - Bead Breaker
BW-1221-64	8182164	Seal Kit Rotary Coupling RC1
BW-1221-67	8182167	Lube Bottle Bracket
BW-1221-86	8182186	Dipstick & Cap
BW-1222-47	8182247	Adjustable Clamp, 2 Positions
BW-1222-48	8182248	Carrier/Cover, Cyl. End - Adj.
BW-1222-49	8182249	Carrier/Cover - Clamp, Adj.
BW-1222-50	81822501	Plunger Spring
BW-1222-79	8182279	Link Bolt
BW-1223-17	8182317	Miniature 3-Way Control Valve
BW-1223-18	8182318	Spring
BW-1223-20	8182320	B.L. Valve Assembly
BW-1223-21	8182321	O-ring
BW-1223-39	8182339	Shim Kit - Swing Arm
BW-1223-50	8182350	Torsion Spring and Plate Set
BW-1223-52	8182352	Valve Assembly
BW-1223-63	8182363	Spacer
BW-1224-58	8182458	Plastic Tower Cap
BW-1224-77	8182477	Coats Tire Changer Side Panel (Plastic)
BW-1225-50	8182550	Pin - Pivot Rod Cylinder B.L.
BW-1225-54	8182554	Side Panel
BW-1225-68	8182568	Bead Loosener Cylinder Sleeve Barrel
BW-1225-72	8182572	Air Motor, Reversible
BW-1225-72-1		Air Motor Repair Kit 4 Vane (For BH-1225-72)
BW-1225-99	8182599	Safety Valve
BW-1226-13	8182613	Cylinder Assembly
BW-1226-61	8182661	Carrier Cover Clamp
BW-1226-62	8182662	Carrier/Cover
BW-1227-09	8182709	Bead Loosener Cylinder
BW-1227-25	8182725	3-Way Valve & Roll Pin Kit
BW-1227-42	8182742	3/4" x 9-1/2" Hose
BW-1227-67	8182767	Dismount Bar
BW-1227-70	8182770	Bootie for Mount/Demount Head
BW-1227-88	8182788	Demount Head (Metal Tapered Head)
BW-1228-09	8182809	Lube Bottle Bracket
BW-1228-12	8182812	Vertical Shaft
BW-1228-16	8182816	Bead Loosener Arm
BW-1228-27	8182827	Filter / Lubricator (Manual-Style Drain)
BW-1228-27-1	81828271	Filter / Lubricator (Auto-Style Drain)



Motor Mounting Bracket
BW-1219-31
(OEM 8181931)



4-Way Control Valve
BW-1219-86
(OEM 8181986)



Male Branch Tee
1/4 NPT x 3/8
BW-1219-88
(OEM 8181988)



Male Fitting
BW-1219-99
(OEM 8181999)



Male Elbow
BW-1219-98
(OEM 8181998)



BW-1220-34
Rotary Coupling
(OEM 8182034)



BW-1220-31
Rubber Bumper
(OEM 8182031)



BW-1222-47
Adjustable Clamp,
2 Positions for 5040/5045
(OEM 8182247)
(For 3 positions, see BH-1241-26)



Push Button for Coats
BW-1220-47
(OEM 8182047)



BW-1222-79
Link Bolt
(OEM 8182279)



BW-1222-49
Clamp Carrier -
Clamp, Adj.
(OEM 8182249)



Filter/Lubricator
for Coats (Manual Style)
BW-1228-27 (OEM 8182827)
(For Auto Style,
order BW-1228-27-1)



BW-1227-88
Demount Head
(OEM 8182788)

**Many more parts for these and other brands of tire changers are available.
Please call toll free 800-321-8173 if you don't see something listed.**

Commonly Requested Parts for: Coats

BW-1228-35	8182835	Steel Mount/DEMOUNT Head Kit
BW-1228-36	8182836	3/8" x 15.5" Nylon Tube
BW-1228-85	8182185	Dipstick Tube
BW-1229-58	8182958	Reversing Switch (New Style)
BW-1229-60	8182960	Nylon DEMOUNT Head Only (pictured with kit) (To Order Kit with Hardware, order BH-1230-61)
BW-1229-61	8182961	2-Pack Plastic Inserts (for BW-1227-88)
BW-1229-63	8182963	Plastic Inserts for BW-1227-88 (12-Pack)
BW-1229-64	8182964	Transmission Kit
BW-1229-87	8182987	B.L. Handle Housing
BW-1230-33	8183033	Washer
BW-1230-61	8183061	Nylon DEMOUNT/MOUNT Head Kit
BW-1232-48	8183248	Plastic Jaw Clamp (For 1 Clamp)
BW-1233-07	8183307	Internal Retaining Ring
BW-1233-08	8183308	Washer
BW-1233-73	8183373	Motorcycle Duckhead Bootie (2-Pack)
BW-1234-29	8183429	Stainless Steel Mount/DEMOUNT Head Also 8182026 and 258458
BW-1235-02	8183502	Manifold Bleed Valve Assembly
BW-1235-19	8183519	Shaft / Washer Assembly
BW-1235-29	8183529	B. L. Shoe, Handle and Pivot
BW-1236-04	8183604	Rim Clamp Plastic Cover (10-Pack)
BW-1236-05	8183605	Bootie Lift Tool (10-Pack)
BW-1236-06	8183606	Bead Loosener Shoe
BW-1236-13	8183613	Table Top Cylinder
BW-1236-41	8183641	Auxiliary Arm
BW-1236-73	8183673	Lock Handle / Lift Cam
BW-1236-91	8183691	Valve-Self Centering 4-Way
BW-1236-91K		Seal Kit for 4-Way Valve (For valves 8181986 / BW-1219-86 and 8183691 / BW-1236-91)
BW-1237-86	8183786	Poly Shaft Seal - Table Top Seal Kit
BW-1238-11	8183811	Table Top Cylinder Seal Kit for Many Models 8182080 (pictured with seal kits)
BW-1238-41	8183841	Cylinder T/T Repair Kit
BW-1241-26	8184126	3-Position Adj. Clamping Jaw
BW-1244-32	8184432	Plastic Duckhead Kit
BW-1244-94	8184492	Roboarm Cylinder Seal Kit
BW-1256-54	8185654	Transmission Kit
BW-1609-79	8100979	Top Bead Loosener Handle Grip
BW-1609-99	8100999	Spring Return
BW-1617-01	8101701	Deep Hub Adapter for Center Holes up to 5" (For 4040, 4040SA, 4050)
BW-1624-68	8102468	Spring for Poppet
BW-1624-69	8102469	Poppet
BW-1642-09	8104209	Muffler



**BW-1229-61
Plastic Inserts
(2-Pack)
for BW-1227-88 /
8182788
(OEM 8182961)**



**Nylon Mount/
DEMOUNT Head Kit
BW-1230-61
(OEM 8183061)
Head Only: BW-1229-60**



**Plastic Jaw
Clamp (1)
BW-1232-48
(OEM 8183248)**



**Stainless Steel
Mount/DEMOUNT Head
BW-1234-29**

For Coats, Corghi, and others
For tire changers with Round (not tapered) Studs
(OEM 8183429, 8182026 or 258458)

For Coats:
RC1, RC5,
RC10, RC15,
RC20 and
early model
5030 & 5060
with round
stud.



**Poly Shaft Seal
BW-1237-86
(OEM 8183786)**

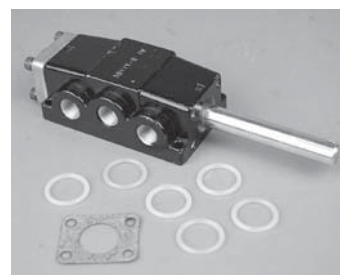
Bead Loosener Shoe (2-Pack)



**BW-1236-06
(OEM 8183606)**



**BW-1244-94
Roboarm Cylinder
Seal Kit
(OEM 8184492)**



**4-Way Valve Self
Centering (Spring Loaded)
BW-1236-91
(OEM 8183691)**

**Seal Kit for 4-Way Valve
BW-1236-91K**

Seal Kit is for these Valves:
BW-1219-86 (OEM 8181986)
BW-1236-91 (OEM 8183691)
and Other Coats Valves



**Bleed Valve Assy
for Coats
BW-1235-02
(OEM 8183502)**



**BW-1609-79
Handle Grip for
Top Bead Loosener
(OEM 8180979)**



**BW-1609-99
Spring Return
(OEM 8100999, 100999))**



**BW-1617-01
Deep Hub Adapter
for Center Holes up to 5"
(4040, 4040SA, 4050)
(OEM 8101701)**



**BW-1642-09
Muffler
(OEM 8104209
/ 8182734)**



Commonly Requested Parts for: Coats

BW-1642-46	8104246	Center Post Adapter - Short Ext.
BW-1642-66	8104266	Valve
BW-1646-00	8104600	1/4" Valve
BW-1646-51	8104651	Spring 3/4" Valve
BW-1646-52	8104652	Poppet 3/4" Valve
BW-1648-44	8104844	Fitting
BW-1662-59	8106259	Straight Mouth Lube Bucket
BW-1662-78	8106278	Male Branch T Fitting
BW-1662-98	8106298	3/4" Valve
BW-1665-72	8106572	Angled Lube Bucket
BW-1666-57	8106657	Wiper (Shaft)
BW-1668-35	8106835	Cup Seal
BW-1668-71	8106871	60" Air Hose (pictured with tire changer hoses)
BW-1671-99	8107199	5" Cylinder - Power Boost
BW-1675-17	8107517	Lens and Gasket for BH-1679-85 Air Gauge
BW-1675-18	8107518	Air Gauge
BW-1675-87	8107587	5" Piston Replacement Kit
BW-1676-42	8107642	Shoe
BW-1676-47	8107647	Bar Weldment
BW-1677-32	8107732	Handle Pad
BW-1679-22	8107922	Plastic Top Cover
BW-1679-85	8107985	Air Gauge - Fits Most Coats Models
BW-1680-28	8108028	Adjustable Tire Spreader
BW-1681-31	8108131	Shoe for Top Bead Breaker
BW-1681-34	8108134	Bar Weldment
BW-1681-35	8108135	W/C Channel
BW-1682-60	8108260	Drive Gear Assembly
BW-1682-76	8108276	Centering Cone
BW-1682-91	8108291	Positioning Pin
BW-1998-53	8419853	Inflation Valve
BW-2104-91	8000491	11-1/2" Swab for Center Post and Rim Clamps
BW-2107-68	8000768	Combo Tool
BW-2210-83	8111083	Regulator
BW-2239-07	8113907-J1	Process Board
BW-2240-02	8114002	Controller
BW-2368-51	84356851	Drop Center Tool
BW-2395-69	8439569	Switch
BW-2500-75	8120075	Hit Model HD Rim Clamp
BW-2502-22	8120222	Filter Element
BW-2502-91	8120291	Assembly Breather Cap
BW-2503-26	8120326	Hitch Pin
BW-2503-47	8120347	Lube Bottle
BW-2503-66	8120366	Tire Lube Applicator Swab - 16"
BW-2504-32	8120432	Table Stop Cushion
BW-2815-43-31	820154331	Reversing Switch
BW-2880-10-4	80180104	Switch Assembly
BW-2900-03	31311	Exhaust Valve
BW-2900-04	900228519	Valve
BW-2900-05	7108977	Hydraulic Control Valve 5000
BW-2900-06	821150621	Arm Slide
BW-2900-07	83008404	Bead Pressing Tool
BW-2900-08	8910340	Drive Rod for 7000



Fitting for Rotary Coupling
BW-1648-44
(OEM 8104844)



Wiper (Shaft)
BW-1666-57
(OEM 8106657)



Cup Seal
BW-1668-35
(OEM 8106835)



Straight Lube Bucket
BW-1662-59
(OEM 8106259 / 81062591)



Angled Mouth Lube Bucket
BW-1665-72 (OEM 8106572)
For 4040, 4040SA, 4050



Air Gauge
BW-1675-18
(OEM 8107518 - old #
or 87661701 - new #)



Air Gauge
(Fits Most Coats Models)
BW-1679-85
(OEM 8107985)



Lens and Gasket for Air Gauge
BW-1675-17
(OEM 8107517)
Fits Gauge BW-1679-85 / OEM 8107985



Combo Tool
BW-2107-68
FITS: Coats Model #'s 4040 & 4050,
and others (OEM 8000768)
FMC/John Bean (OEM 66679)
Perfect Hofmann, RJ West
(OEM 66679)
Hunter (OEM RP6-1828)



Regulator for Coats
BW-2210-83
(OEM 8111083)



Drop Center Clamp Tool for Coats and Others
BW-2368-51
(OEM 84356851 or 8435685)

**Many more parts for these and other brands of tire changers are available.
Please call toll free 800-321-8173 if you don't see something listed.**

Commonly Requested Parts for: Corghi

BW-1211-63	223810 238212	Bead Breaker Cylinder Seal Kit
BW-3000-01	900425238	Belt for Corghi
BW-3000-02	900238548	Turntable Cylinder Seal Kit
BW-3000-03	900238212	Bead Break Cylinder Seal Kit
BW-3000-06	900714100	1/4" Hose
BW-3000-08	900435363	Switch
BW-3000-09	900231744	Stop Cock Handle
BW-3000-17		11' Long Hose
BW-3000-18	900243203	Valve
BW-3000-19	900419141	Check Valve
BW-3000-20	900444238	Lever
BW-3000-21	900714601	Muffler for Check Valve
BW-3000-22	900258456	Foot Pedal Valve
BW-3000-23	900241841	Rotary Connector / Coupler
BW-3000-27	900352009	Foot Pedal
BW-3000-29	9005102744	Reversing Switch 9820/9824
BW-3000-31	8-11100108	12-Pack of Rim Guards
BW-3000-32	900258458	Steel Mount/Demount Head
BW-3001-01	900253298	Valve - Double Spool
BW-3001-03	900241124	Valve for A9212TI
BW-3001-04	900436364	Inflation Gauge
BW-4010-06K	N/A	Mount/Demount Adapter Kit (includes Conversion Adapter and 1 Hunter-Style Duckhead)



**Bead Breaker Seal Kit
For Coats / Corghi**
(Used on RC-5A)
BW-1211-63
(OEM 8181163, 223810, 238212)

For **All Corghi Models**
and Others

Save Money
and Convert—
No More Steel Heads!



BW-4010-06K
Mount/Demount Adapter Kit
(Includes 1 Adapter and 1 Hunter-Style duckhead)

• Uses Hunter-Style Mount/Demount Replacement Head **BW-4010-02**



**Belt for Corghi
BW-3000-01**
(OEM 900425238)



**Turntable Cylinder Seal Kit
BW-3000-02**
(OEM 900238548)



**Bead Break Cylinder Seal Kit
BW-3000-03**
(OEM 900238212)



**1/4" Hose
BW-3000-06**
(OEM 900714100)



**11' Long Hose
BW-3000-17**



**Valve
BW-3000-18**
(OEM 900243203)



**Foot Pedal Valve
BW-3000-22**
(OEM 900258456)



**Rotary Connector (Coupler)
BW-3000-23**
(OEM 900241841)

Fits these models and more:
A2000, A2019, A9212, A9220T.I.,
A9824T.I., Artiglio Basic



**Inflation Gauge
BW-3001-04**
(OEM 900436364)



Commonly Requested Parts for: FMC/John Bean

BW-6050-10	66006	Lube Bucket for FMC/John Bean
BW-6050-11	66170	Air Gauge
BW-6050-12	67715	1/4" Hose
BW-6050-14	ST4012397	Handle
BW-6050-16	ST0022129	Rim Protector
BW-6050-20	ST0022176	Hose Fitting
BW-6050-21	ST0020886	Plate
BW-6050-22	ST0008157	Shock Absorber
BW-6050-26	ST7040080	Clip
BW-6050-29	ST4025367	Clamp
BW-6050-30	ST0020875	Spacer Support
BW-6050-34	ST0002480	Bushing Link
BW-6050-37	67562	Plastic Insert
BW-6050-39	ST0001349 66822 (old)	Pad
BW-6050-40	87084	Plastic Insert
BW-6050-41	59659	Muffler Model 8800
BW-6050-42	ST4030044	Turn Table Switch Model 8950
BW-6050-44	66274	Nylon Boot Kit (10-Pack)
BW-6050-45	87165	4-Way Valve
BW-6050-46	67587	Rocker Switch for FMC8600
BW-6050-47	ST0010396	Rim Clamp Protector
BW-6050-48	66767	Spring
BW-6050-49	ST4001394	Bead Breaker Valve Assembly
BW-6050-50	ST4014271	Turn Table Valve
BW-6050-76	66350	Cylinder Rebuild Kit
BW-6050-77	66016	Piston for FMC7600
BW-8400-01	ST0011064	Pack of 10 Inserts
BW-8400-02	ST0011065	Tool



**Lube Bottle for
FMC/John Bean
BW-6050-10**
(OEM 66006)



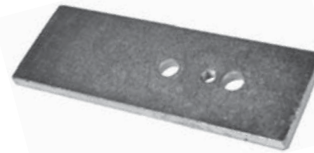
**Air Gauge
BW-6050-11**
(OEM 66170)



**1/4" Hose
BW-6050-12**
(OEM 67715)



**Hose Fitting
BW-6050-20**
(OEM ST0022176)



**Plate (For Clamp)
For 8950-8960 Turntable
BW-6050-21** (OEM ST0020886)



**Shock Absorber
BW-6050-22**
(OEM ST0008157)



**Clamp
BW-6050-29**
(OEM ST4025367)



**Clip
BW-6050-26**
(OEM ST7040080)



**Rocker Switch for
FMC 8600
BW-6050-46**
(OEM 67587)



**Rim Clamp
Protector
BW-6050-47**
(OEM ST0010396)



**BW-8400-00
Nylon Mount/
Demount
Duckhead KIT**
OEM# 20024335 /
4026251)

OEM Ref #:
EEA 0247G20A

Fits models:
EHP System
IVE • IV • III • IIE
and More Models

(For Duckhead only, order **BW-1040-07**
OEM #s: 20024335, ST0024335)



**Plastic Insert (1)
BW-6050-37**
(OEM 67562)



**Cylinder Rebuild Kit
BW-6050-76** (OEM 66350)

Commonly Requested Parts for: Hofmann

BW-1001-28	4-400208A	Air Outlet Hose (Fits Sice, Hofmann, Hunter)
BW-1010-14	2200525	Wheel Support/Screws
BW-1234-29		Steel Mount/Demount Head
BW-2368-51	6410190	Drop Center Tool
BW-4010-06	N/A	Mount/Demount Adapter (to be used with standard Hunter-Style Nylon Mount/Demount Heads)
BW-7000-00	2115276	60" Hose
BW-7000-01	EAC0078G50A	Plastic Insert
BW-7001-01	3005320	Quick Release Valve 1/4"
BW-7001-03	3310506	Cover for Locking System
BW-7001-04	EAC0078G21A	Bead Pusher Tool
BW-7001-05	2201129	Dump Valve
BW-7001-08	2406150	Connecting Rod
BW-7001-10	CL516C	Gear Block Assembly
BW-7001-11	2012499	Inflator Valve
BW-7001-12	3310678	Protector for Demount Head
BW-7001-13	3317259	Protector for Mount/Demount Head
BW-7001-14	ST4030614	Blast Valve (Old OEM #ST0013155)
BW-7001-20	4027170x	Clamp Cylinder Wiper Upgrade Kit

**Clamp
Cylinder Wiper
Upgrade Kit
BW-7001-20**
(OEM 4027170x)



**Drop Center Tool
BW-2368-51**
For: Perfect Hofmann, RJ West
(OEM # 6410190)
Hunter (OEM # RP6-70210E)

Hunter

BW-1001-28	4-400208A	Air Outlet Hose (Fits Sice, Hofmann, Hunter)
BW-1010-14	2200525	Wheel Support/Screws
	3002102	(Fits some Sice, Hofmann, Hunter TCX, Coats 9010)
BW-1234-29		Steel Mount/Demount Head (May fit TCX)
BW-2368-51	RP6-70210E	Drop Center Tool
BW-4010-01	RP6-0066	Rubber Pad for Hunter T.C.
BW-4010-02	RP6-0343	Mount/Demount Head
BW-4010-03	RP6-1506	Angled Applicator Brush
BW-4010-04	137-86-2	1/4" Hose for Hunter
BW-4010-05	20-139	Seal Kit for Rolling Jack Cylinder



**Rubber Pad for
Hunter
BW-4010-01**
(OEM RP6-0066)



**Mount/Demount Head
BW-4010-02**
(OEM RP6-0343)



BW-4010-06 (OEM N/A)
Mount/Demount Adapter
Converts Standard Hunter-Style
Nylon Mount/Demount Head
for Multiple Uses
For Early Hofmann Models



**Hose
BW-7000-00**
(OEM ST4025367)



**Quick Release
Valve 1/4"**
BW-7001-01
(OEM 3005320)



**Cover for Locking System
BW-7001-03**
(OEM 3310506)



**Bead Pusher Tool
BW-7001-04**
(OEM EAC0078G21A)



**Connecting Rod
BW-7001-08**
(OEM 2406150)



**Protector for
Demount Head
BW-7001-12**
(OEM 3310678)



BW-1010-14
(OEM Hofmann 2200525 / Coats 3002102)
Wheel Support with Screws
Fits Sice,
Newer Hunter (TCX) Models,
Coats 9010,
Hofmann Monty 1610, Monty S410
and More.



**Angled Applicator
Brush / Paste Brush
BW-4010-03**
(OEM RP6-1506)



**1/4" Hose for Hunter
BW-4010-04**
(OEM 137-86-2)



Commonly Requested Parts for:

Launch

BW-4010-06	N/A	Mount/Demount Adapter (to be used with standard Hunter-Style Nylon Mount/Demount Heads)
------------	-----	---



BW-4010-06K (OEM N/A)
Mount/Demount Adapter Kit
Converts Standard Hunter-Style Nylon Mount/Demount Head for Multiple Uses
For Some Launch Models
Order Nylon Mount/Demount Head: BW-4010-02

Ranger

BW-4010-06	N/A	Mount/Demount Adapter (to be used with standard Hunter-Style Nylon Mount/Demount Heads)
BW-6000-01	5400201	Stainless Steel Head for Ranger
BW-6000-02	5401208	Mounting Bar
BW-6000-05	5400334	Foot Valve Assembly
BW-6000-06	5346360	Bead Breaker Cylinder
BW-6000-07	5400934	8mm 1/8" Straight Fitting (RX950)
BW-6000-08	5400935	8mm 1/8" Tee Fitting (RX950)
BW-6000-10	5400525	Bead Breaker Seal Kit (2-Hose Ranger 850/950)
BW-6000-11	5400526	Bead Breaker Seal Kit (1-Hose Ranger 850/950)

For **All Ranger Models** and Others

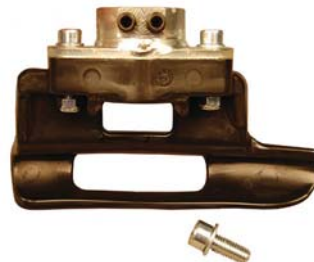
Save Money and Convert—
No More Steel Heads!



BW-4010-06K
Mount/Demount Conversion Adapter Kit
(Includes 1 Adapter and 1 Hunter-Style duckhead)
 • Uses Hunter-Style Mount/Demount Replacement Head **BW-4010-02**

Sicam

BW-8000-00	103211	Nylon Mount/Demount Head Kit
------------	--------	------------------------------



Nylon Mount/Demount Head Kit for Sicam
BW-8000-00
 (OEM 103211)

Nussbaum

BW-7200-00	2201645	Plastic Inserts (Bag 20)
------------	---------	--------------------------



Bead Breaker Seal Kit
 (For Ranger with 2 Hoses to the bead breaker.
 850 / 950 and other models)
BW-6000-10
 (OEM 5400525)

Mounting Bar for Ranger
BW-6000-02
 (OEM 5401208)



Bead Breaker Seal Kit
 (For Ranger with 1 Hose to the bead breaker.
 850 / 950 and other models)
BW-6000-11
 (OEM 5400526)

Many more parts for these and other brands of tire changers are available. Please call toll free 800-321-8173 if you don't see something listed.

Commonly Requested Parts for: For Sice

SVI part#	OEM#	Description
BW-1001-19	2200091	Lube Bucket
BW-1001-25	5-400682 2314665	Reversing Switch (Newer Version)
BW-1001-28	4-400208A	Air Outlet Hose (Fits Sice, Hofmann, Hunter)
BW-1001-34	2201658	Mounting Head Protection Kit
BW-1001-37	2200658	Rotating Union
BW-1001-43	2200600	Clamping Cylinder Kit
BW-1001-45	2200603	Bead Breaker Cylinder Kit
BW-1001-59US	(4-403584)	1" Standard Hose (To order metric, order BW-1001-59)
BW-1001-66	2200981	Plastic Mount Shoe
BW-1001-96	2012596	Complete Inflating Valve
BW-1010-08	83008403	Plastic Mount/Demount Head
BW-1010-12	4210027	Pin
BW-1010-13	3093674	Claw Roller
BW-1010-14	2200525 3002102	Wheel Support/Screws
BW-1010-15	3010743	Cover Blade
BW-1010-24	2200950	Air Cylinder Seal Kit (Also works on Hofmann and new Hunter machines)
BW-1010-25	2002215	Steel Mount/Demount Head
BW-1234-29		Steel Mount/Demount Head



BW-1001-34
Mounting Head
Protector for Sice
(20 pieces per bag)
(OEM # 2201658)



BW-1234-29
Stainless Steel Mount/Demount Head
For Sice, Coats, Corghi, and others
For tire changers with Round (not tapered) Studs
(OEM 322003, 2202073, 8183429, 8182026 or 258458)

For Sice Models:
M39, S40, S41,
S42, S43, S45,
S408MAXI, S435,
S436, S436TOP



BW-1001-43
Clamping Cyl.
Kit
(OEM 2200600)



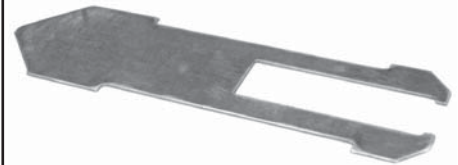
BW-1001-45
Bead Breaker
Cyl. Kit
(OEM 2200603)



BW-1010-13
Claw Roller
(OEM 3093674)



BW-1001-19
Lube Bucket
(OEM 2200091)



BW-1010-15
Cover Blade
(OEM 3010743)



BW-1010-14
(OEM Hofmann 2200525 / Coats 3002102)
Wheel Support w/Screws
Fits Sice,
Newer Hunter (TCX) Models,
Coats 9010,
Hofmann Monty 1610, Monty S410
and More.



Air Cylinder Seal Kit
For Sice
BW-1010-24
(OEM 2200950)

Snap-On

BW-8400-00	EAA0247G20	Nylon Mount/Demount Kit
BW-1040-07		Duckhead Only
BW-8400-01	EAA0247G15A	Pack of 10 Inserts
BW-8400-02	EAM0052G24A	Tool
BW-8400-04		Bead Breaker Repair Kit
BW-8400-05	EAA0263G66A	Quick Release Nut 6 Bolt Pattern



Bead Breaker
Repair Kit
BW-8400-04
(OEM # N/A)

Used on Snap-On, Hofmann and John Bean bead breakers that were manufactured by GS Boxer starting in Summer of 2002.

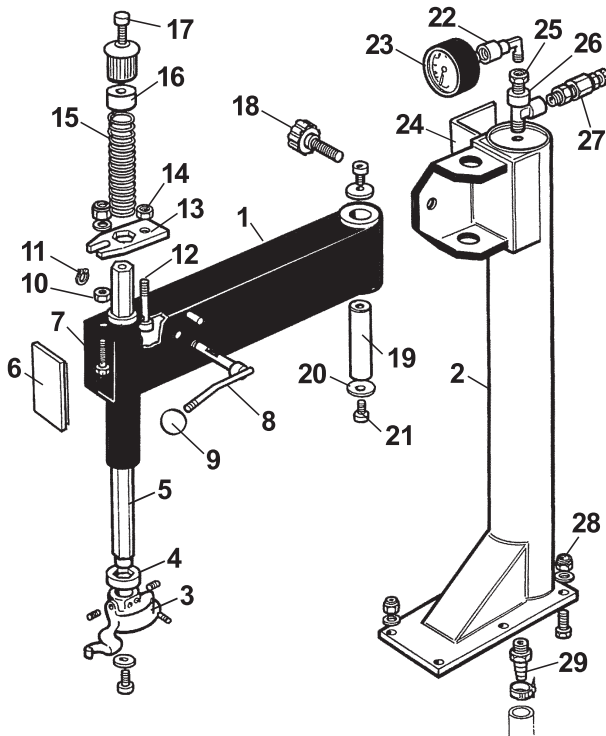


Nylon Mount/
Demount Kit
BW-8400-00
(OEM EAA0247G20)
Duckhead Only
BW-1040-07



For Corghi Model A9820 T.I.

Repair Parts for other versions of this tire changer are available! Just ask.



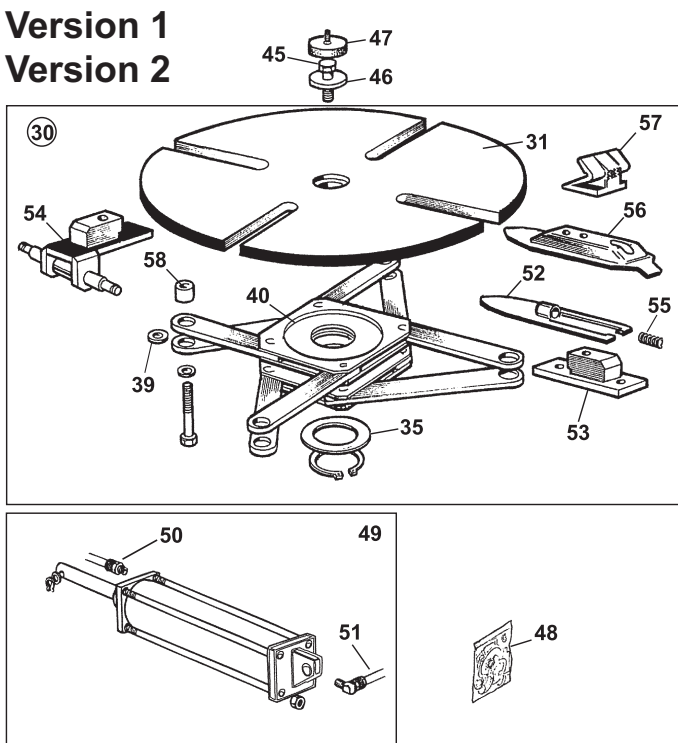
Operating Arm Assembly (Versions 1, 2, 3)

Item	SVI Part #	OEM Ref #	Description
1	BW-3001-37	900238779	Pivot Arm
2	BW-3001-13	900238768	Shaft
3	BW-3000-32	900258458	Steel Mount/Demount Head (V2, V3)
	BW-3001-57	900245706	Steel Mount/Demount Head (V1)
4	BW-3001-28	900428681	Ring
5	BW-3001-41	900340343	Arm
6	BW-3001-33	900429971	Lid
7	BW-3001-47	900600382	Screw
8	BW-3001-19	900223877	Crank / Handle
9	BW-1738-89	900423889	Knob
10	BW-3001-46	900600152	Nut
11	BW-3001-43	900600025	Ring
12	BW-3001-42	900341249	Screw
13	BW-3001-17	900341001	Locking
14	BW-3001-49	900600153	Nut
15	BW-3001-15	900440341	Spring
16	BW-3001-58	900346273	Spacer
17	BW-3001-23	900601312	Screw
18	BW-3000-34	900441580	Knob
19	BW-3001-32	900323881	Pin
20	BW-3001-31	950318216	Washer
21	BW-3001-45	900601225	Screw
22	BW-3001-53	900441609	Connector
23	BW-3001-02	900434818	Pressure Gauge
24	BW-3001-56	900338808	Support
25	BW-3001-50	900440942	Connection
26	BW-3001-52	900449677	Connector
27	BW-3001-51	900435077	Valve
28	BW-3001-44	900601019	Nut
29	BW-3001-55	900337704	Connector

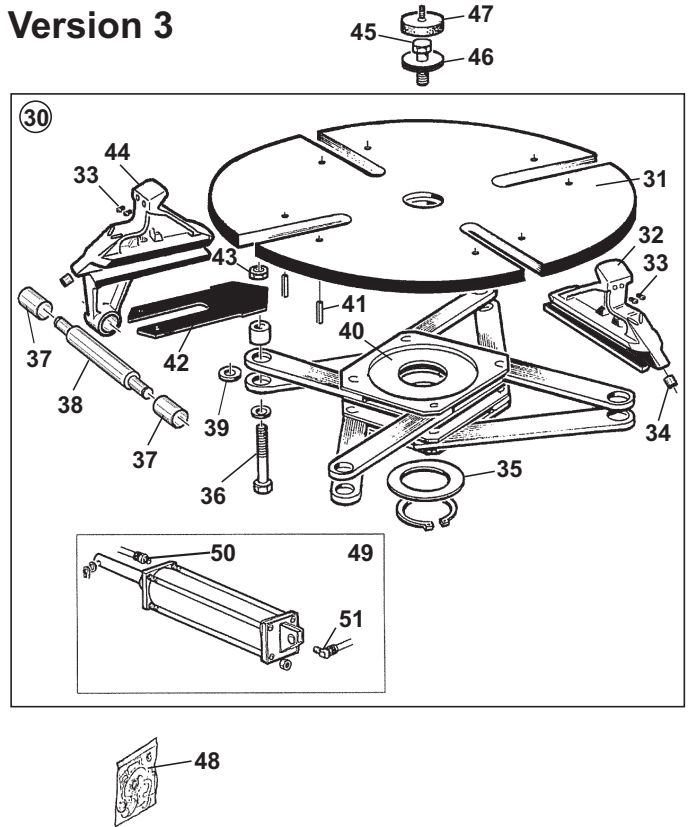
For Corghi Model A9820 T.I.

Repair Parts for other versions of this tire changer are available! Just ask.

**Version 1
Version 2**



Version 3



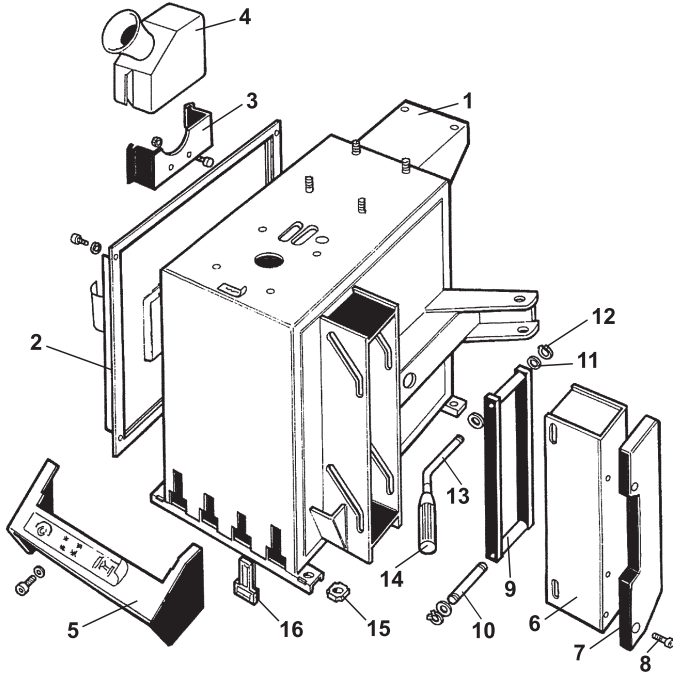
Turntable Assembly 20" (Versions 1, 2, 3)

Item	SVI Part #	OEM Ref #	Description
30	BW-3001-77	900253801	Turntable T.I. (V3)
	BW-3001-75	900250646	Turntable T.I. (V1, V2)
31	BW-3001-88	900253758	Plate
32	BW-3005-16	900253813	Rim Support T.I. (V3)
33	BW-3000-26	900339146	Locking Peak (V3)
34	BW-3000-93	900441100	Connector (V3)
35	BW-3002-12	900455082	Washer (V3)
	BW-3001-85	900426346	Washer (V1, V2)
36	BW-3002-16	900602199	Screw
37	BW-3002-19	900353803	Bushing (V3)
38	BW-3002-20	900353804	Pin (V3)
39	BW-3002-04	900437964	Washer
40	BW-3002-17	900253776	Flange
41	BW-3002-18	900601059	Plug (V3)
42	BW-3002-21	900354638	Cover (V3)
43	BW-3002-22	900601276	Nut (V3)
44	BW-3002-23	900253812	Rim Support T.I. (V3)
45	BW-3002-05	900601216	Screw (V3)
	BW-3002-11	900340250	Screw (V1, V2)

Item	SVI Part #	OEM Ref #	Description
46	BW-3001-73	900323363	Washer
47	BW-3001-74	900426514	Plug
48	BW-3000-02	900238548	Seals Kit
49	BW-3002-24	900253784	Cylinder Right (V3)
	BW-3002-25	900253783	Cylinder Left (V3)
	BW-3002-09	900237909	Cylinder Assembly (V1, V2)
	BW-3002-10	900237910	Cylinder Assembly (V1, V2)
50	BW-3002-26	900441568	Connector (V3)
	BW-3002-00	900417408	Connector (V1, V2)
51	BW-3002-27	900443367	Connector (V3)
	BW-3001-99	900428593	Connector (V1, V2)
52	BW-3002-03	900338216	Slide (V1, V2)
53	BW-3002-08	900242124	Support (V1, V2)
54	BW-3000-35	900242123	Support (V1, V2)
55	BW-3002-01	900438226	Spring (V1, V2)
56	BW-3002-07	900341283	Rim Support (V1, V2)
57	BW-3001-90	900340928	Wedge (V1, V2)
58	BW-3002-06	900337965	Bushing (V1, V2)

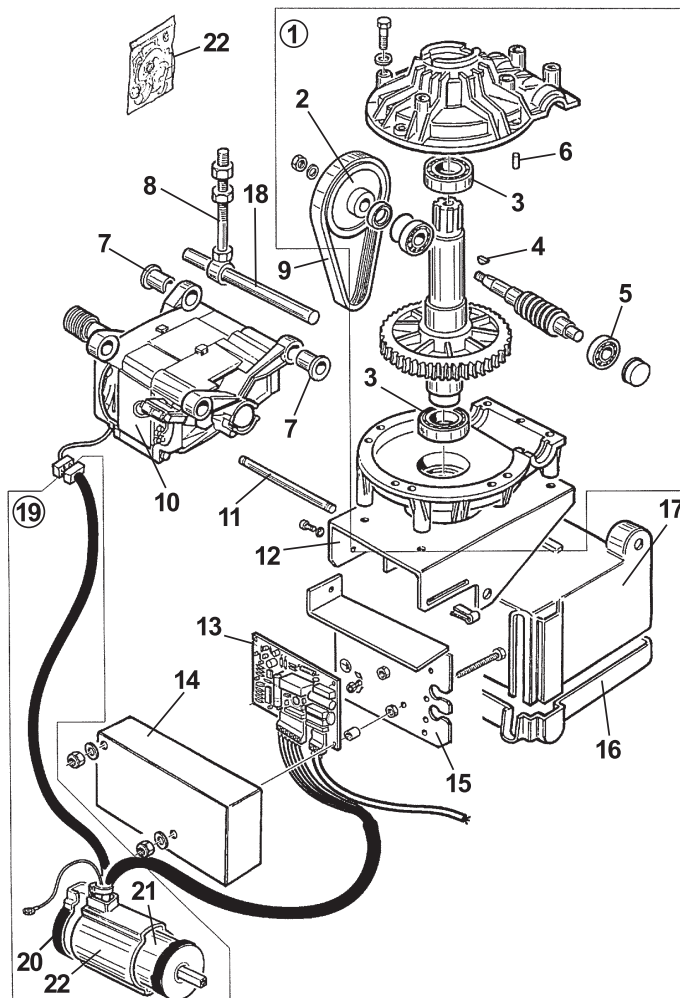
For Corghi Model A9820 T.I. (Versions 1, 2, 3)

Repair Parts for other versions of this tire changer are available! Just ask.



Chassis

Item	SVI Part #	OEM Ref #	Description
1	BW-3001-59	900241004	Body
2	BW-3001-65	900341176	Hood
3	BW-3001-09	900315522	Support
4	BW-3001-11	900423405	Container
5	BW-3001-69	900429976	Shield
6	BW-3001-60	900238911	Extension
7	BW-3005-96	900436199	Rim Support
8	BW-3001-72	900601885	Screw
9	BW-3001-61	900239050	Trace
10	BW-3001-63	900339046	Pin
11	BW-3001-70	900600215	Washer
12	BW-3001-71	900601122	Ring
13	BW-3001-64	900339456	Pin
14	BW-3001-67	900425219	Knob
15	BW-3001-07	900422019	Foot
16	BW-3001-68	900429006	Shield

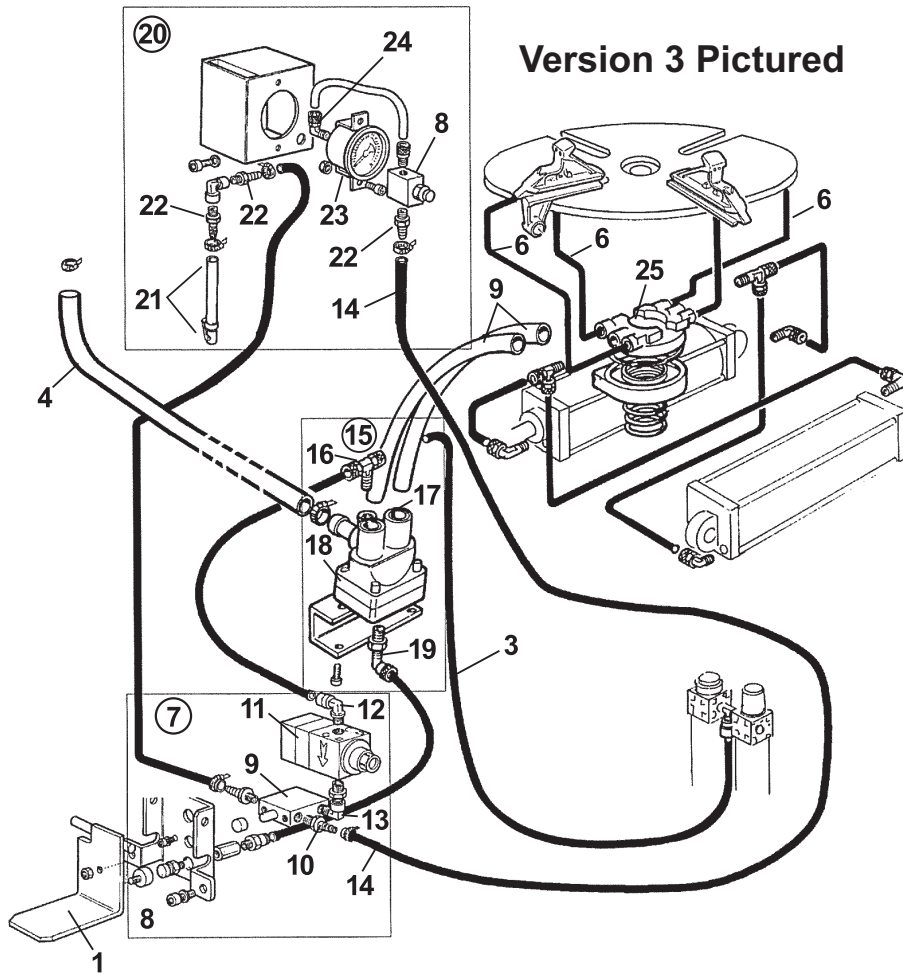


Electric System with Gearbox

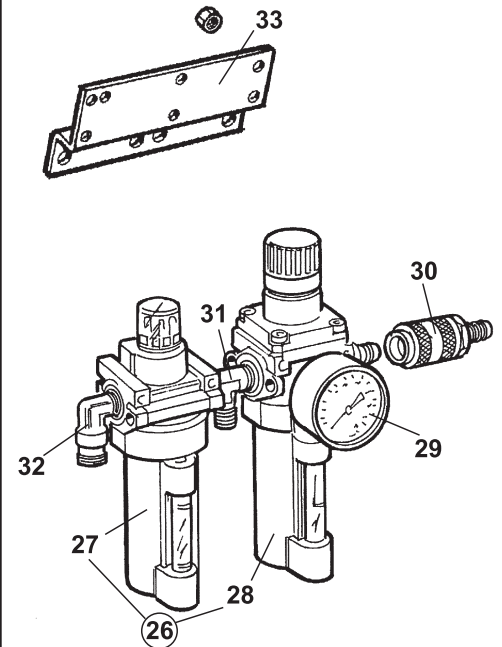
Item	SVI Part #	OEM Ref #	Description
1	BW-3003-92	900255755	Gear Box (V2, V3)
	BW-3003-91	900254081	Gear Box (V1)
2	BW-3003-98	900354082	Pulley
3	BW-3003-90	900601220	Bearing
4	BW-3003-97	900601950	Tang
5	BW-3003-99	900601703	Bearing (V2, V3)
	BW-3003-91	900601221	Bearing (V1)
6	BW-3003-94	900601280	Pin
7	BW-3004-02	900340365	Bushing
8	BW-3004-00	900246010	Stay Rod
9	BW-3004-03	900454084	Belt
10	BW-3004-12	900251870	Motor (V2, V3)
	BW-3004-05	900445750	Motor (V1)
11	BW-3004-04	900346012	Pin
12	BW-3004-06	900346017	Support
13	BW-3004-09	900453545	P.C. Board
14	BW-3004-11	900449300	Lid
15	BW-3004-10	900349299	Support
16	BW-3004-08	900446013	Lid
17	BW-3004-07	900446016	Lid
18	BW-3004-01	900340367	Pin
19	BW-3004-13	900253549	Cable
20	BW-3004-15	900430991	Lid
21	BW-3004-16	900453548	Reverser
22	BW-3004-14	900432065	Shield
23	BW-3003-87	900238204	Seals Kit

For Corghi Model A9820 T.I. (Versions 1, 2, 3)

Repair Parts for other versions of this tire changer are available! Just ask.



Version 3 Pictured



Inflating System

Item	SVI Part #	OEM Ref #	Description
1	BW-3002-50	900252625	Pedal
2	BW-3002-47	900701684	Hose Ø6
3	BW-3002-48	900701683	Hose Ø8
4	BW-3002-52	900346266	Hose
5	BW-3002-53	900342289	Hose
6	BW-3002-54	900704223	Hose
7	BW-3002-63	900252568	Assembly
8	BW-3002-64	900235463	Valve
9	BW-3002-65	900452564	Valve
10	BW-3002-69	900421137	Clutch
11	BW-3002-66	900452553	Valve
12	BW-3002-67	900450406	Connector
13	BW-3002-68	900418252	Connection
14	BW-3002-70	900352614	Hose
15	BW-3002-55	900242290	Valve
16	BW-3002-57	900438665	Connector
17	BW-3002-56	900431993	Cartridge
18	BW-3002-58	900243020	Valve
19	BW-3002-60	900441651	Connector (V2, V3)
	BW-3002-59	900443019	Connector (V1)
20	BW-3002-71	900252600	Box

21	BW-3002-74	900235462	Hose
22	BW-3002-78	900429536	Clutch (V3)
	BW-3002-77	900421670	Clutch (V1, V2)
23	BW-3002-89	900436364	Pressure Gauge
24	BW-3002-76	900434180	Connector
25	BW-3000-23	900241841	Connector
--	BW-3002-49	900701875	Hose Ø10 (V1, V2) Not pictured
--	BW-3001-95	900435285	Nozzle (V1, V2) Not Pictured
--	BW-3001-96	900441598	Connector (V1, V2) Not Pictured

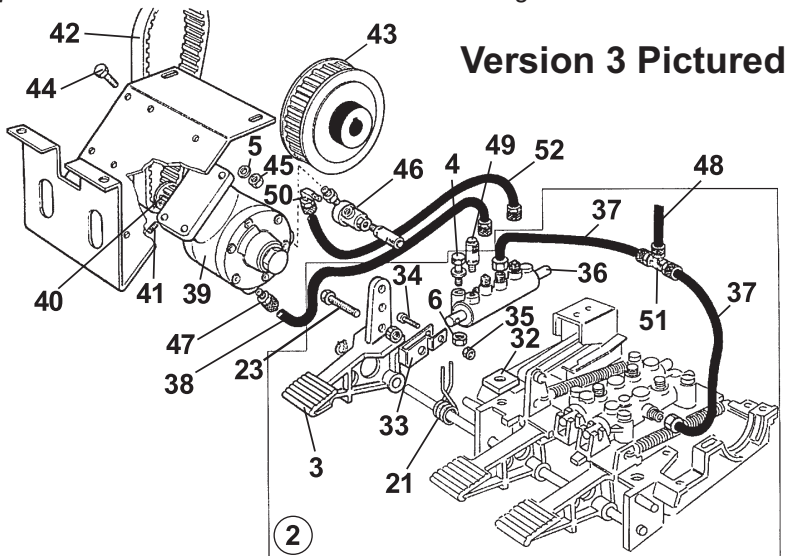
Filter Assembly

Item	SVI Part #	OEM Ref #	Description
26	BW-3004-40	900439376	Filter
27	BW-3004-41	900439376	Bowl
28	BW-3004-42	900439377	Bowl
29	BW-3001-02	900434818	Pressure Gauge
30	BW-3004-37	900441899	Coupling
31	BW-3004-38	900433873	Connector
32	BW-3002-67	900450406	Connector (V3)
	BW-3004-39	900438673	Connector (V1, V2)
33	BW-3004-36	900335695	Bracket



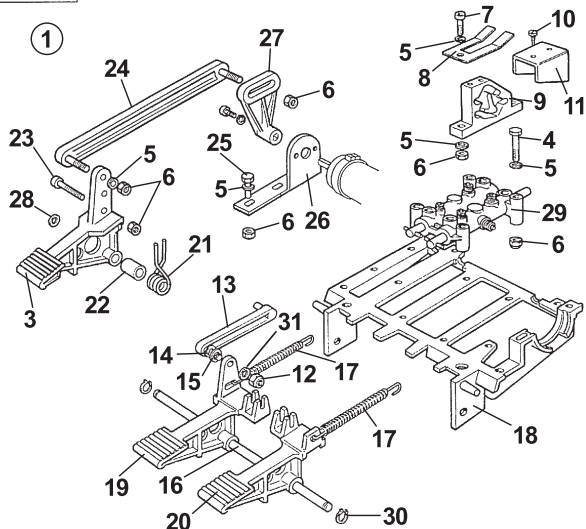
For Corghi Model A9820 T.I. (Versions 1, 2, 3)

Repair Parts for other versions of this tire changer are available! Just ask.



Pedal Assembly

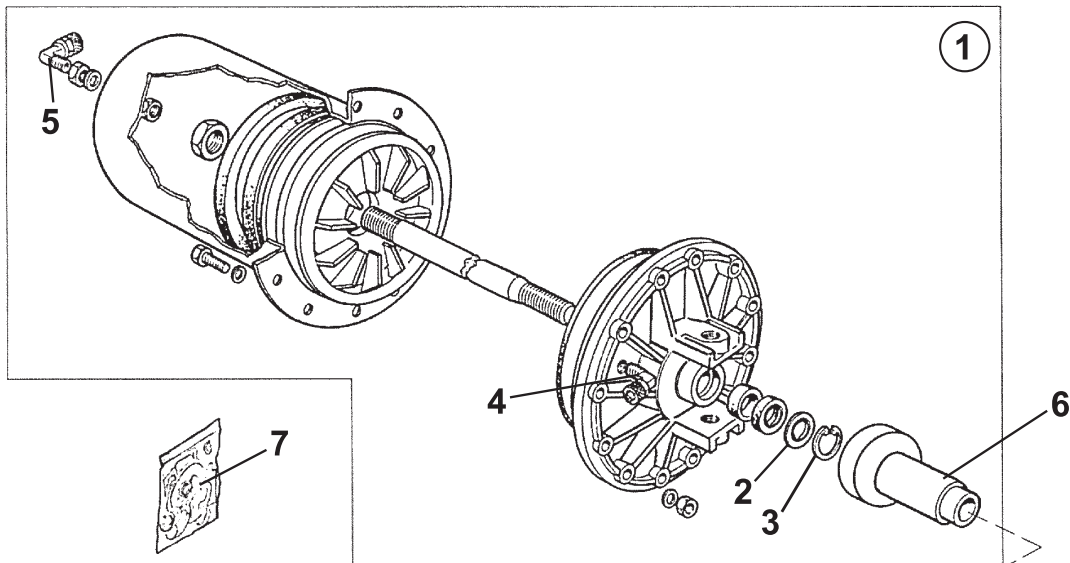
Item	SVI Part #	OEM Ref #	Description
1	BW-3002-28	900241201	Control Pedal Assembly
2	BW-3002-88	900270526	Control Pedal Assembly
3	BW-3003-31	900352009	Pedal
	BW-3003-65	900229957	Pedal
4	BW-3003-32	900600411	Screw
5	BW-3003-33	900600211	Washer
6	BW-3003-34	900601979	Nut
7	BW-3003-35	900600312	Screw
8	BW-3002-29	900325019	Leaf Spring
9	BW-3002-30	900425020	Cam
10	BW-3003-39	900601272	Screw
11	BW-3002-31	900325018	U-Bolt
12	BW-3003-41	900601980	Nut
13	BW-3003-42	900425014	Trace
14	BW-3003-43	900419888	Washer
15	BW-3003-44	900309358	Washer
16	BW-3003-45	900325583	Pin
17	BW-3002-36	900410628	Spring
18	BW-3003-47	900324273	Support
19	BW-3002-38	900325031	Pedal
20	BW-3002-39	900325032	Pedal
21	BW-3002-40	900428682	Spring
22	BW-3002-41	900325050	Spacer
23	BW-3003-52	900600366	Screw
24	BW-3002-42	900429009	Trace
25	BW-3003-54	900600362	Screw
26	BW-3002-43	900334758	Support
27	BW-3002-37	900404283	Lever
28	BW-3002-45	900452011	Bushing
29	BW-3001-01	900253298	Double Spool Valve (V2, V3)
	BW-3003-38	900228473	Double Spool Valve (V1)
30	BW-3001-43	900600025	Ring
31	BW-3003-30	900600212	Washer
32	BW-3002-98	900329058	Plate



33	BW-3002-93	900331381	Trace
34	BW-3003-70	900600291	Screw
35	BW-3003-71	900601018	Nut
36	BW-3000-22	900258456	Valve (V3)
	BW-3003-66	900229059	Valve (V1, V2)
37	BW-3002-48	900701683	Hose Ø8
38	BW-3002-49	900701875	Hose Ø10
39	BW-3002-81	900319135	Motor
40	BW-3002-82	900319076	Pulley
41	BW-3003-76	900600801	Screw
42	BW-3000-01	900425238	Belt
43	BW-3002-87	900319073	Pulley
44	BW-3003-79	900600363	Screw
45	BW-3003-80	900422288	Nut
46	BW-3000-19	900419141	Valve
47	BW-3003-82	950419140	Connector
48	BW-3003-83	900315273	Hose
49	BW-3002-90	900422682	Silencer
50	BW-3002-84	900418350	Connector
51	BW-3002-91	900415860	Connector
52	BW-3003-84	900324639	Hose

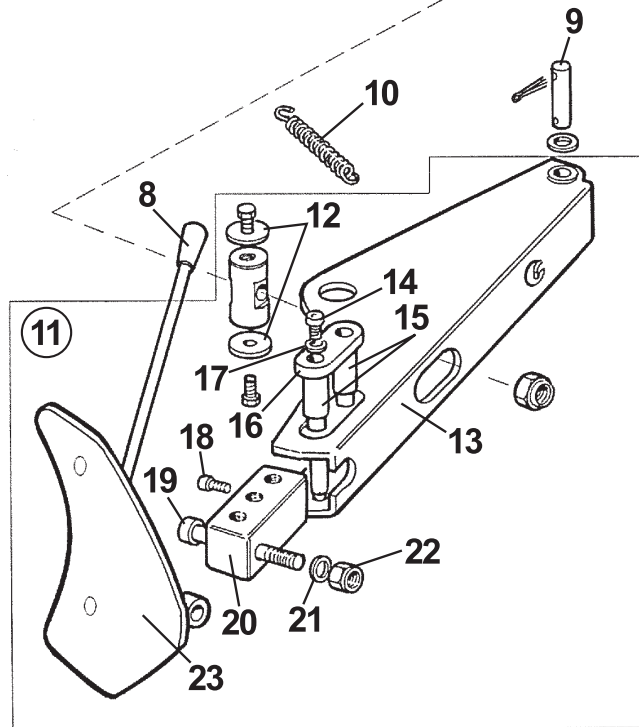
For Corghi Model A9820 T.I. (Versions 1, 2, 3)

Repair Parts for other versions of this tire changer are available! Just ask.



Bead-Breaking Cylinder

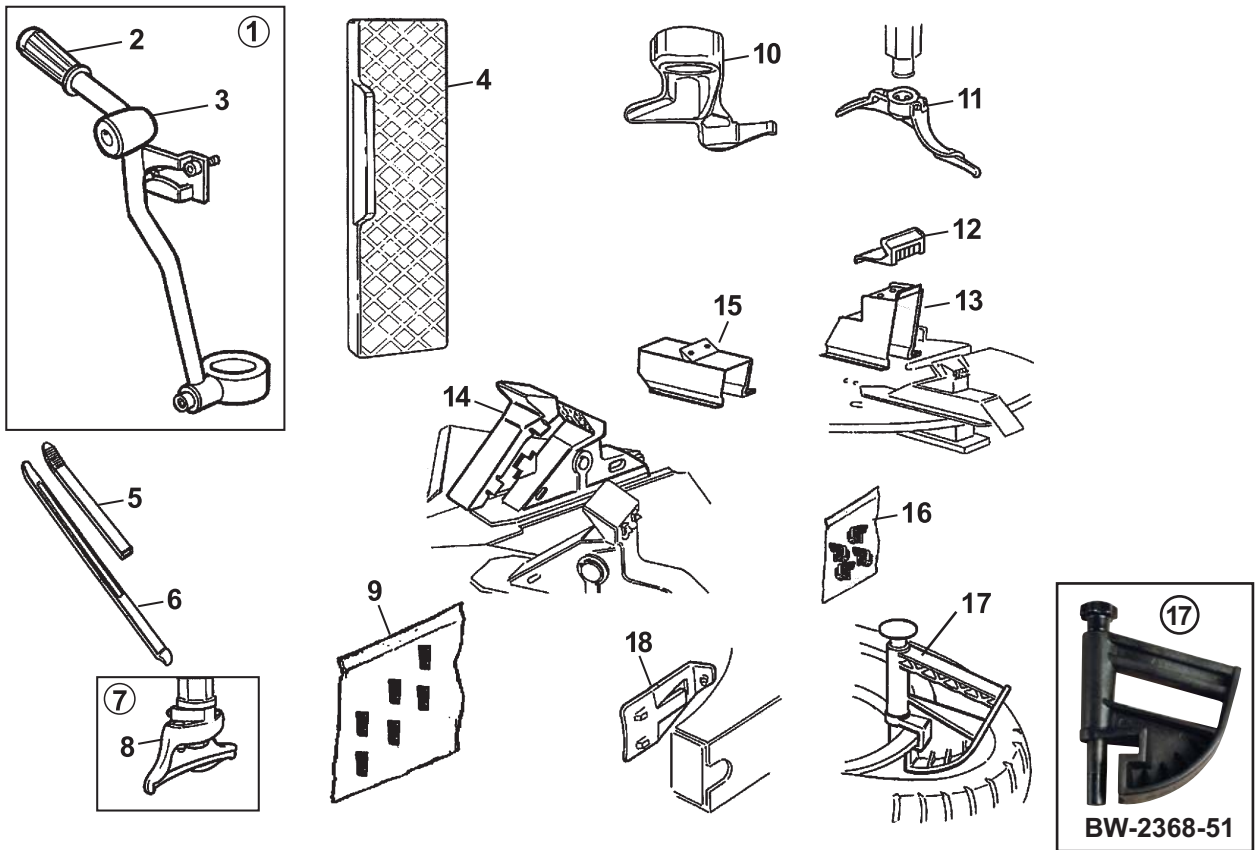
Item	SVI Part #	OEM Ref #	Description
1	BW-3000-24	900239042	Cylinder
2	BW-3003-03	900325561	Washer
3	BW-3003-04	900434031	Ring
4	BW-3003-37	900451926	Connector
5	BW-3001-96	900441598	Connector
6	BW-3003-26	900239061	Pad
7	BW-3000-03	900238212	Seals Kit
8	BW-3003-15	900425219	Handle
9	BW-3003-00	900323903	Fulcrum
10	BW-3003-27	900439105	Spring
11	BW-3003-40	900245743	Arm
12	BW-3003-10	950323901	Washer
13	BW-3003-19	900245701	Arm
14	BW-3003-21	900600372	Screw
15	BW-3003-23	900345617	Locking Peak
16	BW-3003-22	900345616	Retainer
17	BW-3003-30	900600212	Washer
18	BW-3000-36	900600308	Screw
19	BW-3003-12	900324008	Pin
20	BW-3003-24	900345618	Block
21	BW-3003-13	900409650	Washer
22	BW-3003-14	900422255	Nut
23	BW-3003-08	900224000	Bead Breaker
24	BW-3000-25	900339045	Pin





For Corghi Model A9820 T.I. (Versions 1, 2, 3)

Repair Parts for other versions of this tire changer are available! Just ask.



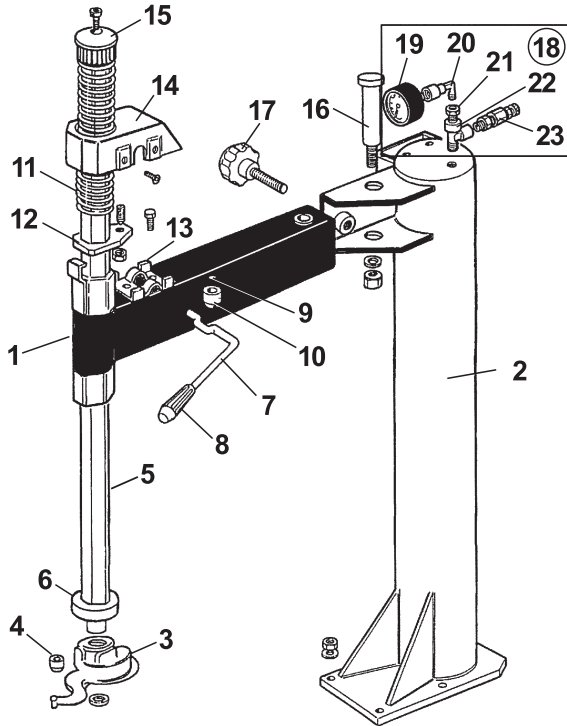
Accessories

Item	SVI Part #	OEM Ref #	Description
1	BW-3004-56	801242834	Lever
2	BW-3001-67	900425219	Knob
3	BW-3004-57	900440600	Head
4	BW-3004-53	801458663	Rim Support (V3)
5	BW-3004-50	801246241	Shield
6	BW-3000-20	900444238	Lever
7	BW-3000-07	801250309	Plastic Mount/Demount Head KIT
8	BW-1010-08	900450310	Plastic Mount/Demount Head
9	BW-3004-51	801258383	Shield (V3)

Item	SVI Part #	OEM Ref #	Description
10	BW-3004-54	801252083	Mount/Demount Head
11	BW-3004-43	900228563	Mount/Demount Head
12	BW-3004-47	900435202	Wedge
13	BW-3004-46	900235225	Locking
14	BW-3000-15	801254343	Shield (V3)
15	BW-3004-52	801240462	Adaptor (V3)
	BW-3004-44	900235745	Adapter (V1, V2)
16	BW-3000-79	801242613	Insert
17	BW-2368-51	801435685	Pliers / Drop Center Tool Clamp
18	BW-3004-45	801225640	Bead Breaker

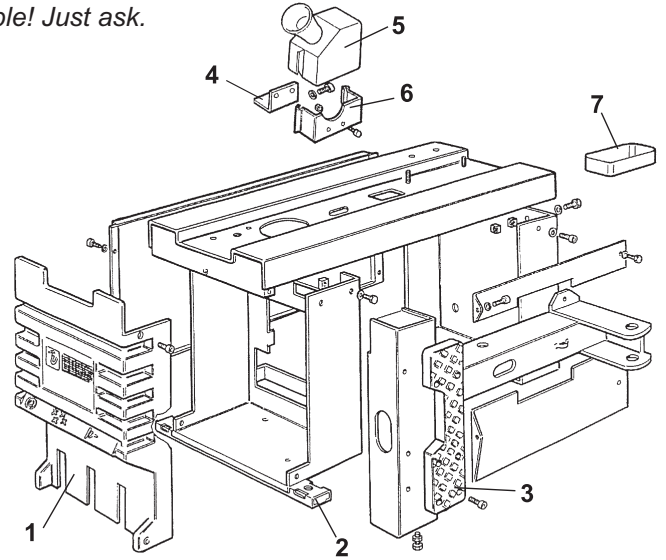
For Corghi Model A9212 T.I. (Versions 3 & 4)

Repair Parts for other versions of this tire changer are available! Just ask.



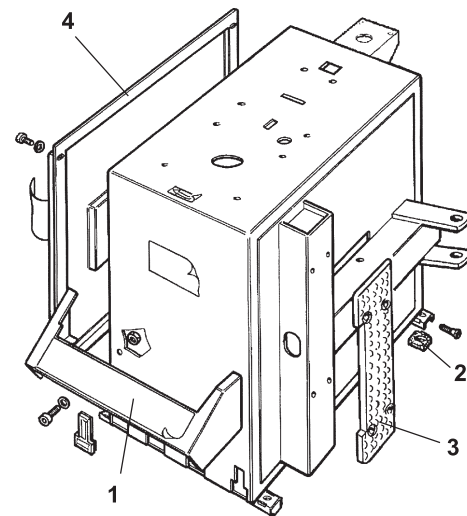
Operating Arm Assembly (Versions 3 & 4)

Item	SVI Part #	OEM Ref #	Description
1	BW-3001-36	900240275	Arm (Ver. 3)
	BW-3013-10	900261228	Arm (Ver. 4)
2	Call for Details		Shaft (Ver. 3)
	BW-3013-11	900261216	Shaft (Ver. 4)
3	BW-3000-32	900258458	Mount/Demount Head
4	BW-3001-38	900322738	Roller
5	BW-3001-35	900343105	Arm
6	BW-3001-28	900428681	Ring
7	BW-3001-18	900440279	Lever
8	BW-3001-24	900417351	Knob
9	BW-3001-20	900440280	Plate
10	BW-3001-26	900440284	Pawl
11	BW-3001-14	900423765	Spring
12	BW-3001-16	900440278	Plate
13	BW-3001-21	900440281	Plate
14	BW-3001-27	900440285	Casing
15	BW-3001-22	900423907	Knob
16	BW-3001-29	900440287	Pin (Ver. 3)
	BW-3001-32	900323881	Pin (Ver. 4)
17	BW-3001-12	900440276	Knob (Ver. 3)
	BW-3000-34	900441580	Knob (Ver. 4)
18	BW-3001-54	900241608	Assembly (Incl. 19-23 — Ver. 3)
	BW-3013-12	900260176	Assembly (Incl. 19-23 — Ver. 4)
19	BW-3001-02	900434818	Pressure Gauge (Ver. 3)
	BW-3013-13	9003-00494	Pressure Gauge (Ver. 4)
20	BW-3001-53	900441609	Connector
21	BW-3001-50	900440942	Connection
22	BW-3001-52	900449677	Connector
23	BW-3001-53	900435077	Valve
24	BW-3001-31	950318216	Washer (Ver. 4)



Chassis (Version 3)

Item	SVI Part #	OEM Ref #	Description
1	BW-3001-06	900439201	Hood
2	BW-3001-07	900422019	Foot
3	BW-3001-05	900436199	Rim Support
4	BW-3001-10	900344879	Support
5	BW-3001-11	900423405	Container
6	BW-3001-09	900315522	Support
7	BW-3001-08	900343996	Cup



Chassis (Version 4)

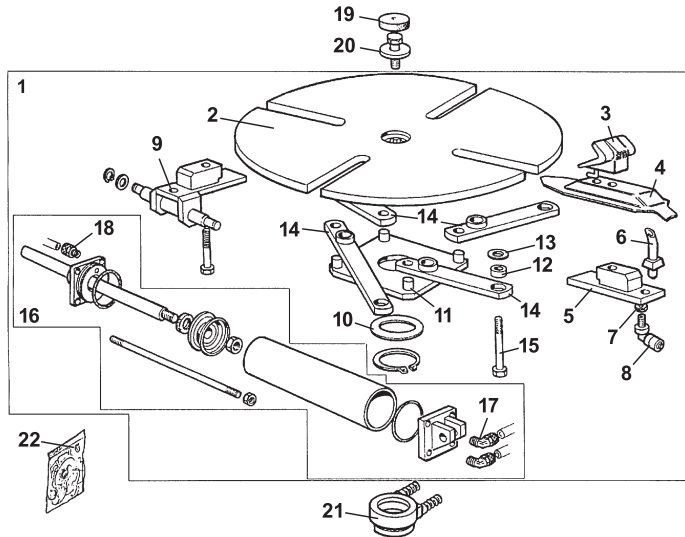
Item	SVI Part #	OEM Ref #	Description
1	BW-3001-69	900429976	Shield
2	BW-3001-07	900422019	Foot
3	BW-3001-05	900436199	Rim Support
4	BW-3001-65	900341176	Hood



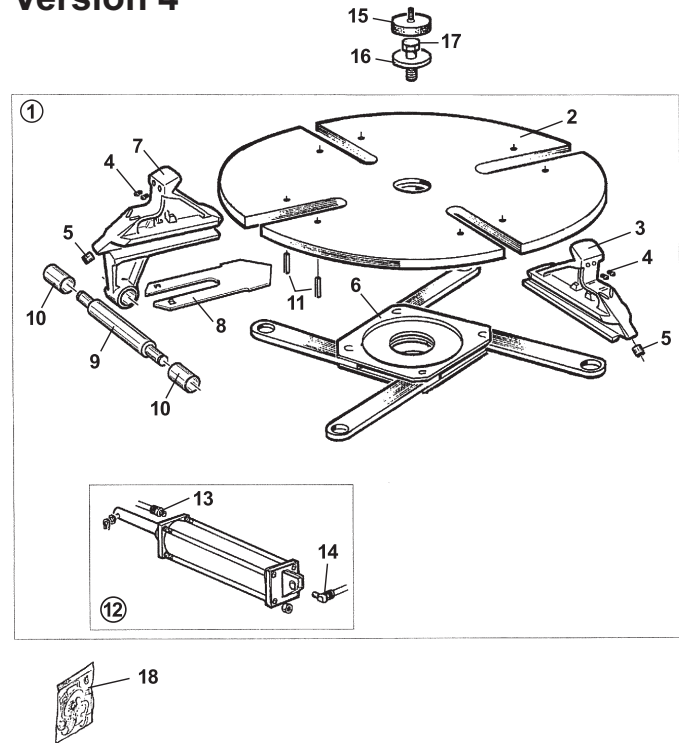
For Corghi Model A9212 T.I. (Versions 3 & 4)

Repair Parts for other versions of this tire changer are available! Just ask.

Version 3



Version 4



Turntable Assembly 20" (Version 3)

Item	SVI Part #	OEM Ref #	Description
1	BW-3001-76	900250727	Turntable (Items 2-18)
2	BW-3001-86	900226210	Plate
3	BW-3001-86	900340927	Wedge
4	BW-3001-94	900341600	Rim Support
5	BW-3001-93	900243164	Support
6	BW-3001-95	900435285	Nozzle
7	BW-3001-97	900341599	Washer
8	BW-3001-96	900441598	Connector
9	BW-3001-92	900243165	Support
10	BW-3001-85	900426346	Washer
11	BW-3001-84	900226213	Flange
12	BW-3001-83	900323796	Bushing
13	BW-3001-82	900323795	Washer
14	BW-3001-81	900223785	Trace
15	BW-3001-91	900423819	Screw
16	BW-3001-98	900232366	Cylinder
17	BW-3001-99	900428593	Connector
18	BW-3002-00	900417408	Connector
19	BW-3001-74	900426514	Plug
20	BW-3001-73	900323363	Washer
21	BW-3000-23	900241841	Connector
22	BW-3000-02	900238548	Seals Kit

Turntable Assembly 20" (Version 4)

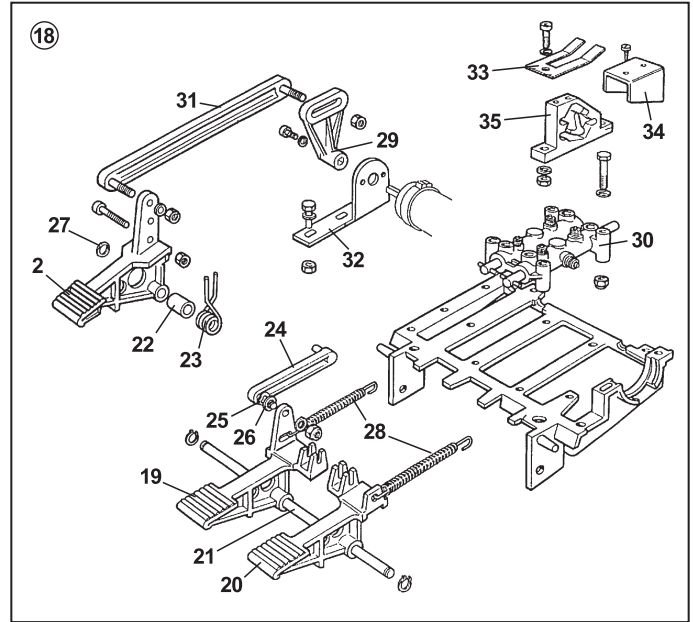
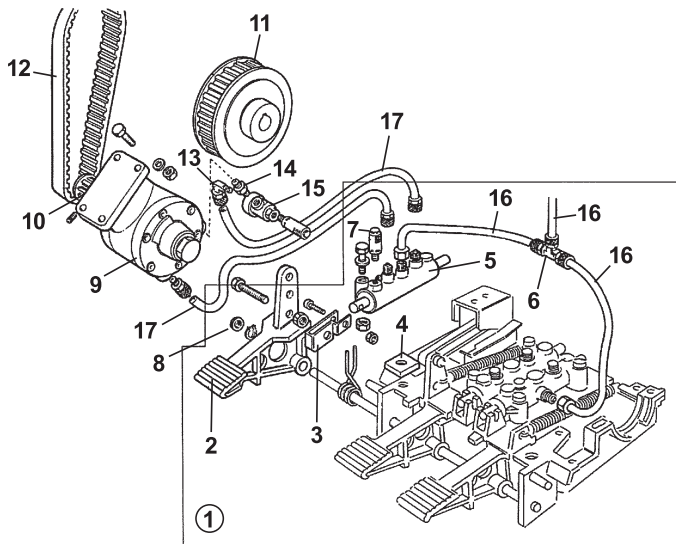
Item	SVI Part #	OEM Ref #	Description
1	BW-3000-91	900255068	Turntable (Items 2-14)
2	BW-3000-95	900254650	Plate
3	BW-3005-16	900253813	Rim Support
4	BW-3000-26	900339146	Locking Peak
5	BW-3000-93	900441100	Connector
6	BW-3000-94	900239167	Flange
7	BW-3002-23	900253812	Rim Support
8	BW-3002-21	900354638	Cover
9	BW-3002-20	900353804	Pin
10	BW-3002-19	900353803	Bushing
11	BW-3002-18	900601059	Plug
12	BW-3000-96	900254653	Cylinder Right
	BW-3000-97	900254652	Cylinder Left
13	BW-3002-26	900441568	Connector
14	BW-3002-27	900443367	Connector
15	BW-3001-74	900426514	Plug
16	BW-3001-73	900323363	Washer
17	BW-3002-05	900601216	Screw

Not Pictured:

18	BW-3000-02	900238548	Seals Kit
----	------------	-----------	-----------

For Corghi Model A9212 T.I. (Versions 3 & 4)

Repair Parts for other versions of this tire changer are available! Just ask.



Pedal Assembly

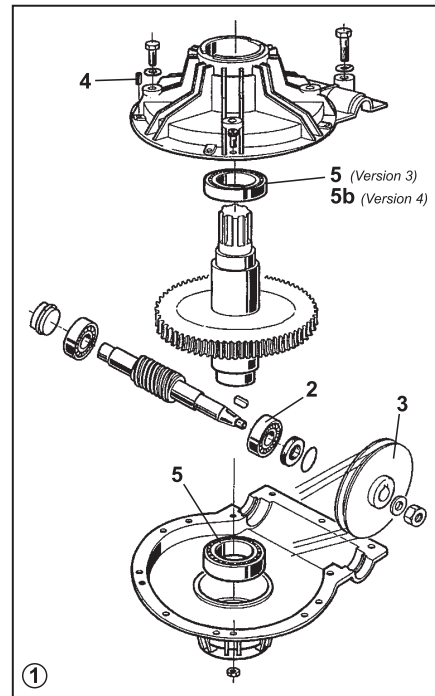
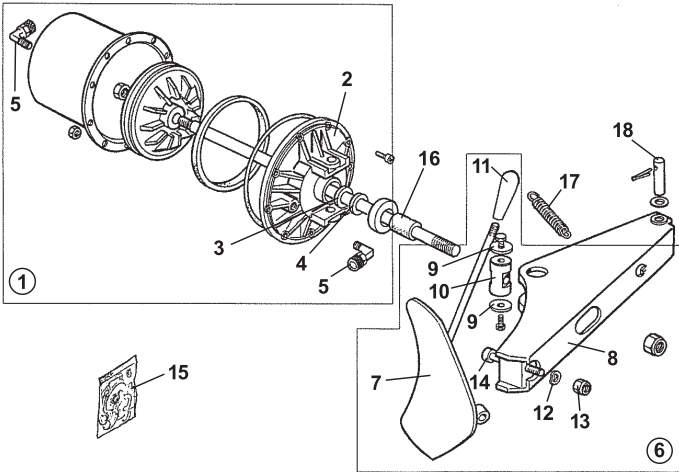
Item	SVI Part #	OEM Ref #	Description
1	BW-3002-88	900270526	Control Pedal
2	BW-3002-94	900352029	Pedal
3	BW-3002-93	900331381	Trace
4	BW-3002-92	900329058	Plate
5	BW-3000-22	900258456	Valve
6	BW-3002-91	900415860	Connector
7	BW-3002-90	900422682	Silencer
8	BW-3002-45	900452011	Bushing
9	BW-3002-81	900319135	Motor
10	BW-3002-82	900319076	Pulley
11	BW-3002-87	900319073	Pulley
12	BW-3000-01	900425238	Belt
13	BW-3002-84	900418350	Connector
14	BW-3002-85	900419142	Connection
15	BW-3000-19	900419141	Valve
16	BW-3002-48	900701683	Ø8 Hose
17	BW-3002-49	900701875	Ø10 Hose
18	BW-3002-28	900241201	Control Pedal
19	BW-3002-38	900325031	Pedal
20	BW-3002-39	900325032	Pedal
21	BW-3002-35	900325583	Pin

Item	SVI Part #	OEM Ref #	Description
22	BW-3002-41	900325050	Spacer
23	BW-3002-40	900428682	Spring
24	BW-3002-32	900425014	Trace
25	BW-3002-33	900419888	Washer
26	BW-3002-34	900309358	Washer
27	BW-3002-45	900452011	Bushing
28	BW-3002-36	900410628	Spring
29	BW-3002-37	900404283	Lever
30	BW-3001-01	900253298	Valve
31	BW-3002-42	900429009	Trace
32	BW-3002-43	900334758	Support
33	BW-3002-29	900325019	Leaf Spring
34	BW-3002-31	900325018	U-Bolt
35	BW-3002-30	900425020	Cam



For Corghi Model A9212 T.I. (Versions 3 & 4)

Repair Parts for other versions of this tire changer are available! Just ask.



Bead Breaker Cylinder

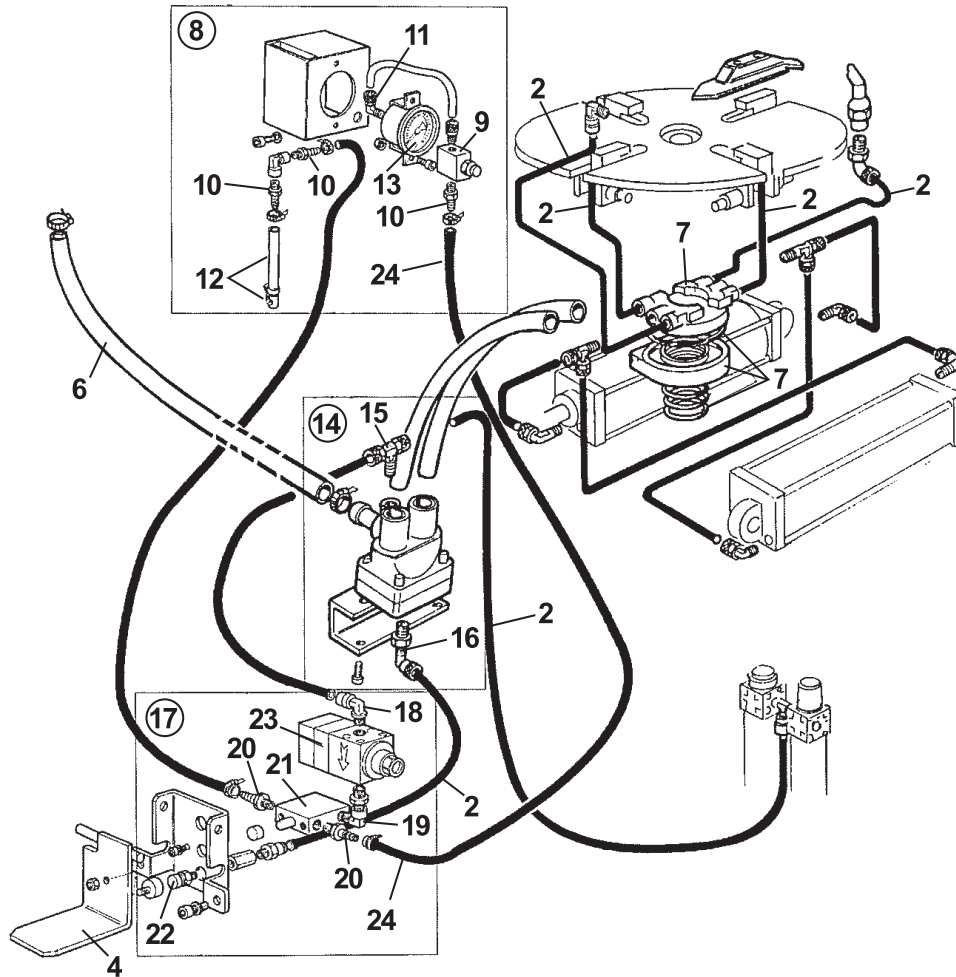
Item	SVI Part #	OEM Ref #	Description
1	BW-3003-01	900231706	Cylinder (Version 3)
	BW-3000-10	900243505	Cylinder (Version 4)
2	BW-3003-06	900252145	Flange
3	BW-3003-03	900325561	Washer
4	BW-3003-04	900434031	Ring
5	BW-3002-84	900418350	Connector
6	BW-3003-07	900249612	Arm
7	BW-3003-08	900224000	Bead Breaker
8	BW-3003-09	900224003	Arm
9	BW-3003-10	950323901	Washer
10	BW-3000-25	900339045	Pin
11	BW-3001-67	900425219	Knob
12	BW-3003-13	900409650	Washer
13	BW-3003-14	900422255	Nut
14	BW-3003-12	900324008	Pin
15	BW-3000-03	900238212	Seals Kit
16	BW-3002-97	900424096	Pad
17	BW-3003-98	900424364	Spring
18	BW-3003-00	900323903	Fulcrum

Gear Box

Item	SVI Part #	OEM Ref #	Description
1	BW-3003-88	900243102	Gear Box (Version 3)
	BW-3003-89	900255772	Gear Box (Pneumatic) (Version 3)
	BW-3012-89	900255773	Gear Box (Version 4)
	BW-3012-90	900255774	Gear Box (Pneumatic) (Version 4)
	BW-3012-88	900255771	Gear Box (Version 4)
2	BW-3003-93	900601221	Bearing
3	BW-3003-95	900414344	Pulley
	BW-3002-87	900319073	Pulley (Pneumatic)
4	BW-3003-94	900601280	Pin
5	BW-3003-90	900601220	Bearing
5b	BW-3003-99	900601703	Bearing
6	BW-3003-87	900238204	Seal Kit

For Corghi Model A9212 T.I. (Versions 3 & 4)

Repair Parts for other versions of this tire changer are available! Just ask.



Version 3 Pictured

(Turntable Section is different on Version 4)

Pneumatic System

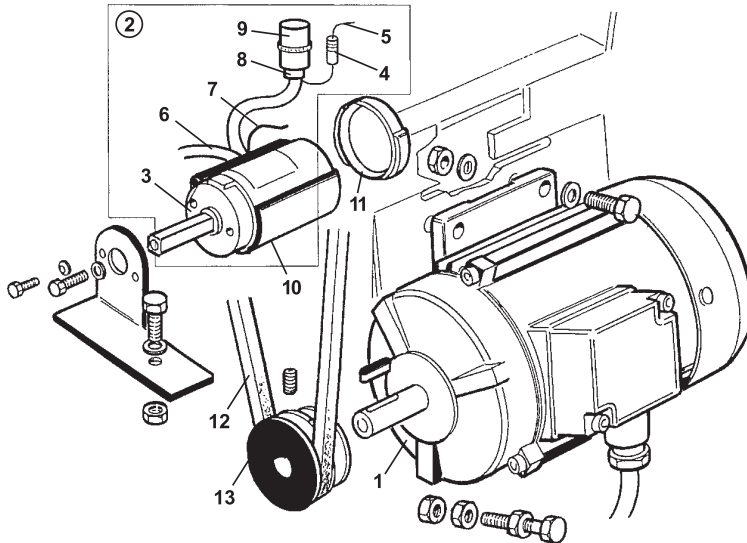
Item	SVI Part #	OEM Ref #	Description
1	BW-3002-47	900701684	Hose
2	BW-3002-48	900701683	Hose
3	BW-3002-49	900701875	Hose
4	BW-3002-50	900252625	Pedal
5	BW-3002-53	900342289	Hose
6	BW-3002-52	900346266	Hose
7	BW-3000-23	900241841	Connector
8	BW-3002-71	900252600	Box
9	BW-3002-64	900235463	Valve
10	BW-3002-78	900429536	Clutch
11	BW-3002-76	900434180	Connector
12	BW-3002-74	900235462	Hose

Item	SVI Part #	OEM Ref #	Description
13	BW-3002-89	900436364	Pressure Gauge Replacement
14	BW-3001-03	900241124	Valve
15	BW-3002-57	900438665	Connector
16	BW-3002-60	900441651	Connector
17	BW-3002-63	900252568	Assembly
18	BW-3002-67	900450406	Connector
19	BW-3002-68	900418252	Connection
20	BW-3002-69	900421137	Clutch
21	BW-3003-44	900452564	Valve Replacement
22	BW-3002-64	900235463	Valve
23	BW-3003-45	900452553	Valve Replacement
24	BW-3002-70	900352614	Hose

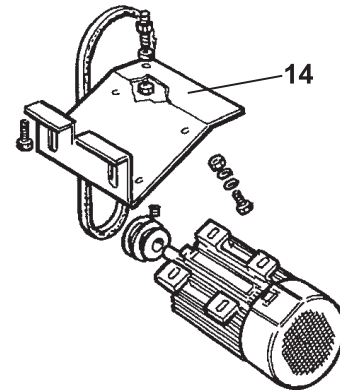


For Corghi Model A9212 T.I. (Versions 3 & 4)

Repair Parts for other versions of this tire changer are available! Just ask.



(Version 3 Pictured)



(Version 4 Pictured)

Electrical System and Motor

110V 1 Phase

Item	SVI Part #	OEM Ref #	Description
1	BW-3004-32	900449749	Motor 110V 1ph 60Hz
2	BW-3004-19	900249882	Electric System 110V 1ph Kit
3	BW-3000-08	900435363	Reverser (For 110V 1ph)
4	BW-3004-23	900430770	Resistance (For 110V 1ph)
5	BW-3004-20	900230709	Cable (For 110V 1ph)
6	BW-3004-21	900225419	Cable (For 110V 1ph)
7	BW-3004-22	900225051	U-Bolt
8	BW-3004-23	900430750	Cap Nut
9	BW-3005-54	900449751	Capacitor
10	BW-3004-14	900432065	Shield
11	BW-3004-15	900430991	Lid
12	BW-1763-52	900426352	Belt
13	BW-3004-33	900325274	Pulley

110V 1 Phase C.S.A. (Version 4)

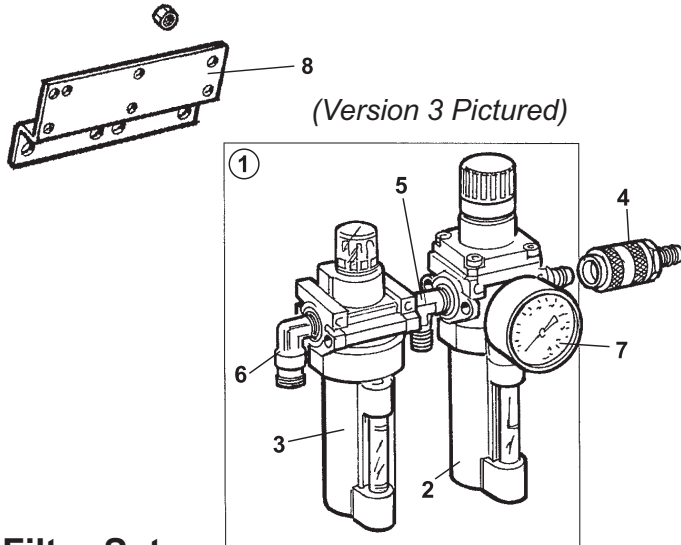
Item	SVI Part #	OEM Ref #	Description
1	BW-3013-08	900451842	Motor 110V 1ph 60Hz C.S.A.
2	BW-3013-14	900249591	Electric System 110V 1ph Kit
3	BW-3000-08	900435363	Reverser (For 110V 1ph)
4	BW-3004-23	900430770	Resistance (For 110V 1ph)
5	BW-3004-20	900230709	Cable (For 110V 1ph)
6	BW-3013-15	900249590	Cable (For 110V 1ph)
7	BW-3004-22	900225051	U-Bolt
8	BW-3004-23	900430750	Cap Nut
9	BW-3007-53	900430713	Capacitor
10	BW-3004-14	900432065	Shield
11	BW-3004-15	900430991	Lid
12	BW-1763-52	900426352	Belt
13	BW-3004-33	900325274	Pulley
14	BW-3005-76	900334768	Cradle

3 Phase

Item	SVI Part #	OEM Ref #	Description
1	BW-3004-31	950412959	Motor 380V 3ph
2	BW-3004-26	900235574	Electric System 3ph Kit
3	BW-3004-27	900421523	Reverser (For 3ph)
5	BW-3004-28	900235518	Cable (For 3ph)
6	BW-3004-29	900239203	Cable (For 3ph)
7	BW-3004-22	900225051	U-Bolt
10	BW-3004-14	900432065	Shield
11	BW-3004-15	900430991	Lid
12	BW-1763-52	900426352	Belt
13	BW-3004-33	900325274	Pulley

For Corghi Model A9212 T.I. (Versions 3 & 4)

Repair Parts for other versions of this tire changer are available! Just ask.

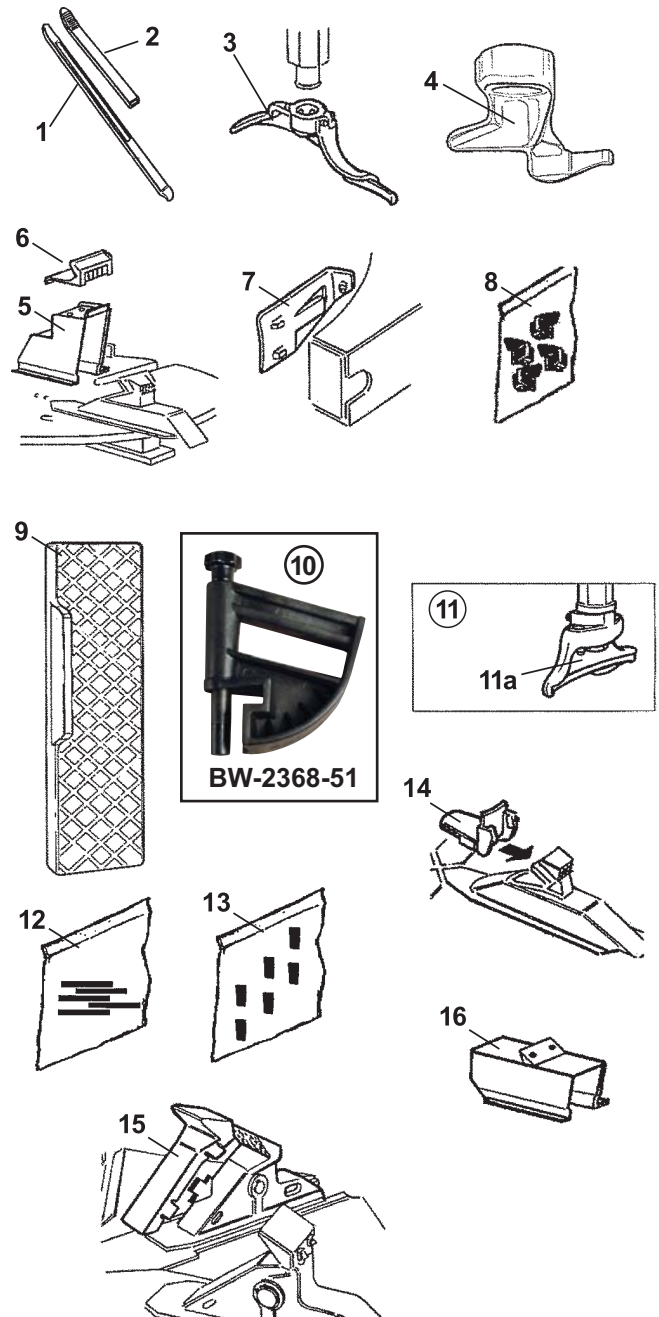


(Version 3 Pictured)

Filter Setup

Item	SVI Part #	OEM Ref #	Description
1	BW-3004-40	900441901	Filter (Version 3)
	BW-3007-88	900456522	Filter (Version 4)
2	BW-3004-41	900439376	Bowl (Version 3)
	BW-3007-89	900457511	Bowl (Version 4)
3	BW-3004-42	900439377	Bowl (Version 3)
	BW-3007-90	900457512	Bowl (Version 4)
4	BW-3004-37	900441899	Coupling
5	BW-3004-38	900433873	Connector
6	BW-3002-67	900450406	Connector
7	BW-3001-02	900434818	Pressure Gauge
8	BW-3004-36	900335695	Bracket

Accessories



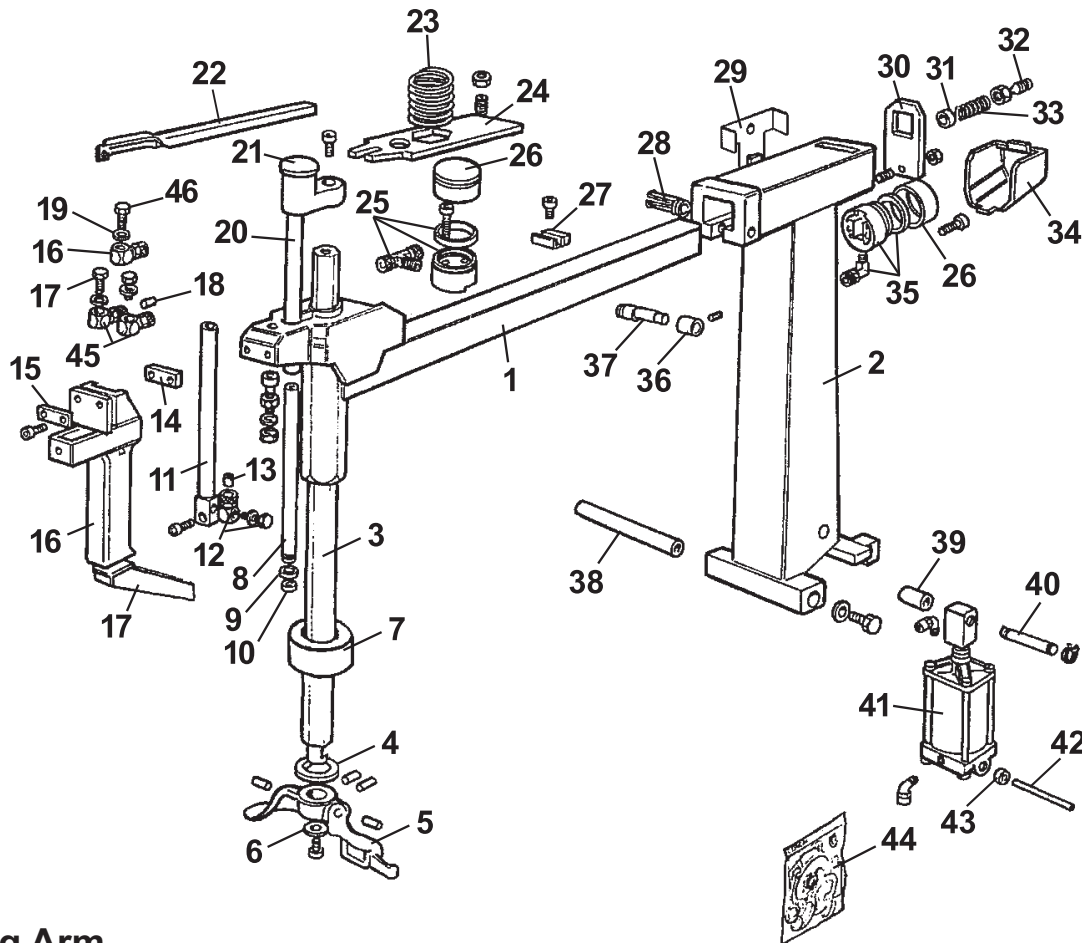
Accessories

Item	SVI Part #	OEM Ref #	Description
1	BW-3000-20	900444238	Lever
2	BW-3004-50	801246241	Lever Cover
3	BW-3004-43	900228563	Mount/Demount Head
4	BW-3004-54	801252083	Mount/Demount Head (Version 4)
5	BW-3004-46	900235225	Locking (Version 3)
	BW-3013-16	801252087	Locking (Version 4)
6	BW-3004-47	900435202	Wedge
7	BW-3004-45	801225640	Bead Breaker
	BW-3007-91	801260402	Bead Breaker
8	BW-3000-79	801242613	Insert
	BW-3007-92	801254341	Insert (Version 4)
9	BW-3004-53	801458663	Shield (Version 4)
10	BW-2368-51	801435685	Drop Center Tool / Clamp / Pliers
11	BW-3004-58	801250309	Plastic Mount/Demount Head KIT
11a	BW-3004-59	900450310	Plastic Mount/Demount Head
12	BW-3000-85	801258898	Insert (Version 4)
13	BW-3004-51	801258383	Shield (Version 4)
14	BW-3004-55	801243268	Shield (Version 3)
15	BW-3000-15	801254343	Shield (Version 4)
16	BW-3004-44	900235745	Adaptor (Version 3)
	BW-3000-86	801258650	Adaptor (Version 4)



For Corghi Model Artiglio Basic

Repair Parts for other versions of tire changers are available!



Operating Arm

Item	SVI Part #	OEM Ref #	Description
1	BW-3013-18	900240481	Arm
2	BW-3013-19	900242715	Head
3	BW-3013-20	900348918	Arm
4	BW-3001-28	900428681	Ring
5	BW-3000-32	900258458	Mount/Demount Head
6	BW-3001-34	900350194	Washer
7	BW-3013-17	900348919	Spacer
8	BW-3004-64	900338855	Stem
9	BW-3004-78	900427299	Seal
10	BW-3004-79	900432090	Ring
11	BW-3004-62	900238856	Support
12	BW-3004-69	900427290	Connector
13	BW-3004-76	900327753	Throttler
14	BW-3004-68	900327284	Plate
15	BW-3004-70	900327283	Plate
16	BW-3000-09	900231744	Extension
17	BW-3004-95	900440692	Screw
18	BW-3004-77	900331783	Throttler
19	BW-3004-72	900428720	Washer
20	BW-3004-61	900338858	Hose
21	BW-3004-90	900440428	Knob
22	BW-3004-67	900426763	Guide
23	BW-3004-87	900440342	Spring

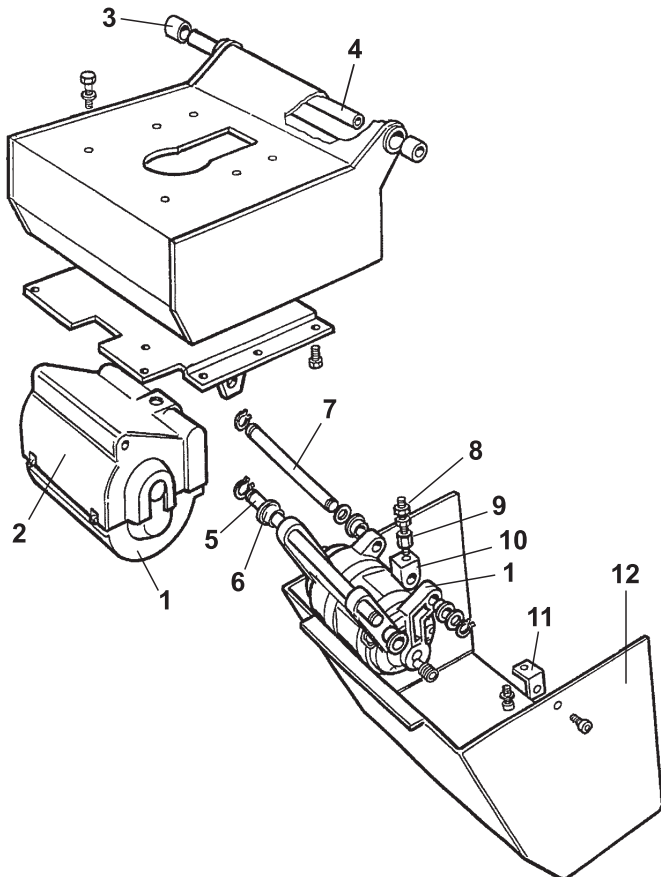
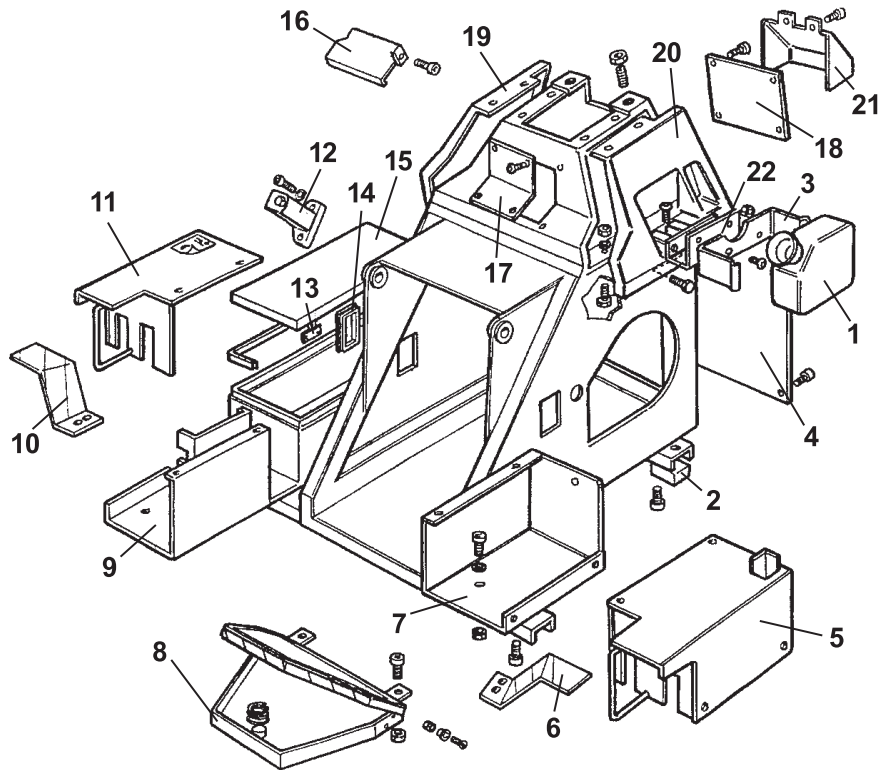
Item	SVI Part #	OEM Ref #	Description
24	BW-3004-89	900340429	Slab
25	BW-3004-84	900239806	Piston
26	BW-3004-98	900326537	Cylinder
27	BW-3004-88	900240516	Plate
28	BW-2310-61	900431061	Bushing
29	BW-3013-21	900340775	Support
30	BW-3004-86	900336142	Slab
31	BW-3004-81	900339803	Bushing
32	BW-3007-30	900329204	Screw
33	BW-3004-94	900439787	Spring
34	BW-3004-60	900426773	Shield
35	BW-3004-82	900239805	Piston
36	BW-3004-92	900339782	Roller
37	BW-3004-93	900339786	Pin
38	BW-3013-21	900340373	Pin
39	BW-3013-22	900440179	Bushing
40	BW-3013-23	900339788	Pin
41	BW-3013-24	900240156	Cylinder
42	BW-3013-25	900340369	Pin
43	BW-3013-26	900440167	Bushing
44	BW-3013-27	900241965	Seal Kit
45	BW-3004-78	900428718	Ring
46	BW-3004-71	900428719	Screw

For Corghi Model Artiglio Basic

Repair Parts for other versions of tire changers are available! Just ask.

Chassis

Item	SVI Part #	OEM Ref #	Description
1	BW-3013-29	900243405	Container
2	BW-3001-07	900422019	Foot
3	BW-3001-09	900315522	Support
4	BW-3013-30	900343117	Lid
5	BW-3013-31	900248960	Casing
6	BW-3013-32	900349002	Bracket
7	BW-3013-33	900243296	Pedal Base
8	BW-3013-34	900243137	Shield
9	BW-3013-35	900243278	Pedal Base
10	BW-3013-36	900348989	Bracket
11	BW-3013-37	900248962	Casing
12	BW-3013-38	900349081	Contrast
13	BW-3013-39	900443310	Hinge
14	BW-3013-40	900439206	Plug
15	BW-3013-41	900243281	Lid
16	BW-3013-42	900341408	Shield
17	BW-3013-43	900340576	Lid
18	BW-3013-44	900340575	Lid
19	BW-3013-45	900449114	Casing
20	BW-3013-46	900443772	Casing
21	BW-3013-47	900341409	Shield
22	BW-3013-48	900343758	Bracket

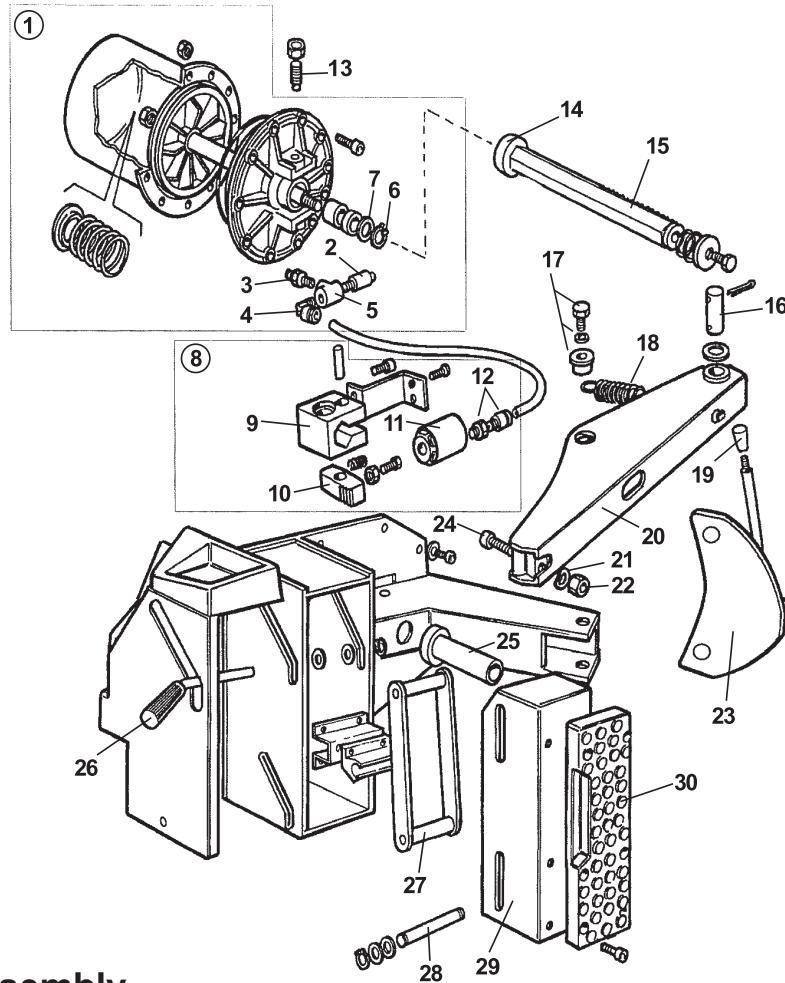


Motor

Item	SVI Part #	OEM Ref #	Description
1	BW-3013-49	900251700	Motor
2	BW-3010-85	900444857	Lid
3	BW-3013-50	900440569	Bushing
4	BW-3013-51	900349120	Pin
5	BW-3013-52	900340366	Pin
6	BW-3004-02	900340365	Bushing
7	BW-3004-01	900340367	Pin
8	BW-3013-54	900340362	Nut
9	BW-3013-55	900340363	Screw
10	BW-3013-56	900340362	Block
11	BW-3013-57	900341558	Bracket
12	BW-3013-58	900349204	Casing

For Corghi Model Artiglio Basic

Repair Parts for other versions of tire changers are available! Just ask.



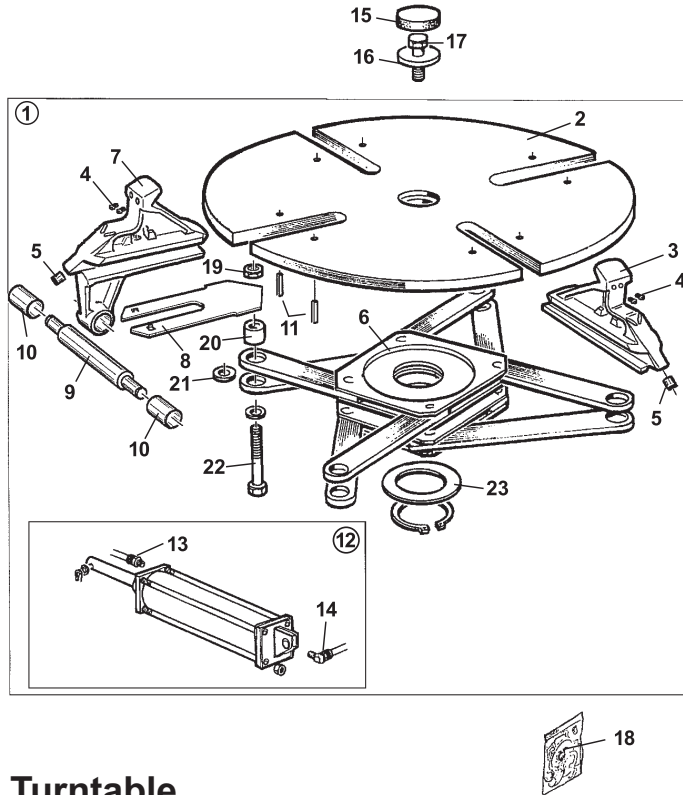
Bead Breaker Assembly

Item	SVI Part #	OEM Ref #	Description
1	BW-3013-59	900242739	Cylinder (Items 2-7)
2	BW-3007-35	900419138	Silencer
3	BW-3013-60	900433552	Gear Box
4	BW-3013-61	900442276	Connector
5	BW-3000-19	900419141	Valve
6	BW-3003-04	900434031	Ring
7	BW-3003-03	900325561	Washer
8	BW-3013-62	900248521	Ratchet
9	BW-3013-63	900348518	Block
10	BW-3013-64	900244969	Cylinder
11	BW-3013-65	900342779	Lever
12	BW-3013-66	900419463	Connector
13	BW-3000-12	900431864	Screw
14	BW-3013-67	900342777	Nut
15	BW-3013-68	900342780	Shaft
16	BW-3003-00	900323903	Fulcrum

Item	SVI Part #	OEM Ref #	Description
17	BW-3013-69	900246893	Transform. Kit
18	BW-3013-70	900440075	Spring
19	BW-3001-67	900425219	Knob
20	BW-3013-71	900239957	Arm
21	BW-3003-13	900409650	Washer
22	BW-3003-14	900422255	Nut
23	BW-3003-08	900224000	Bead Breaker
24	BW-3003-12	900324008	Pin
25	BW-3013-72	900242778	Pad
26	BW-3001-64	900339456	Pin
27	BW-3001-61	900239050	Trace
28	BW-3013-73	900339962	Pin
29	BW-3013-74	900239944	Ext. Cord
30	BW-3001-05	900436199	Rim Support
31	BW-3000-03	900238212	Seals Kit

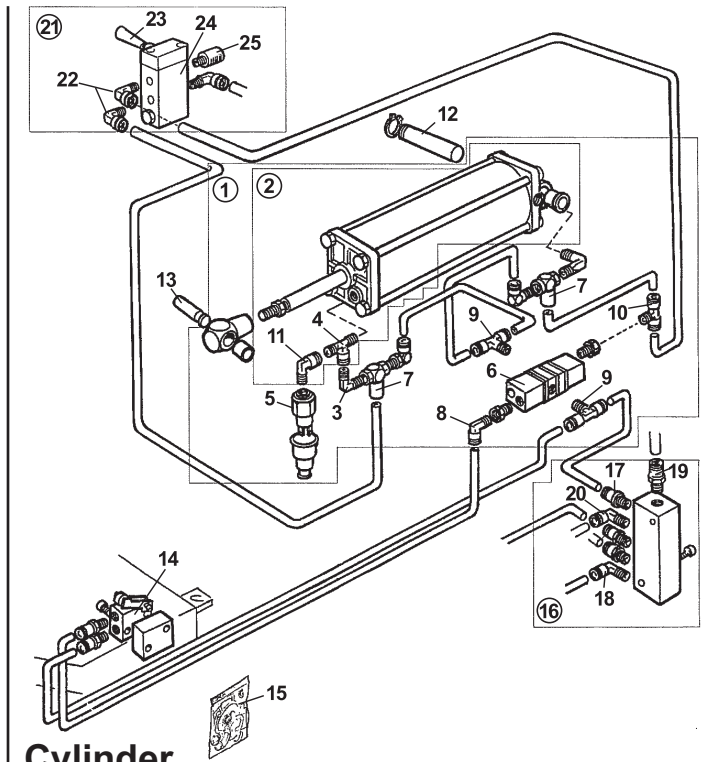
For Corghi Model Artiglio Basic

Repair Parts for other versions of tire changers are available! Just ask.



Turntable

Item	SVI Part #	OEM Ref #	Description
1	BW-3001-07	900253801	Turntable
2	BW-3001-88	900253758	Plate
3	BW-3002-23	900253812	Rim Support
4	BW-3000-26	900339146	Locking Peak
5	BW-3000-93	900441100	Connector
6	BW-3002-17	900253776	Flange
7	BW-3005-16	900253813	Rim Support
8	BW-3002-21	900354638	Cover
9	BW-3002-20	900353804	Pin
10	BW-3007-87	900354308	Pipe
11	BW-3002-18	900601059	Plug
12	BW-3002-24	900253784	Cylinder Right
	BW-3002-25	900253783	Cylinder Left
13	BW-3002-26	900441568	Connector
14	BW-3002-27	900443367	Connector
15	BW-3001-74	900426514	Plug
16	BW-3002-05	900601216	Screw
17	BW-3001-73	900323363	Washer
18	BW-3000-02	900238548	Seal Kit
19	BW-3002-22	900601276	Nut
20	BW-3002-19	900353803	Bushing
21	BW-3002-04	900437964	Washer
22	BW-3002-16	900602199	Screw
23	BW-3002-12	900455082	Washer



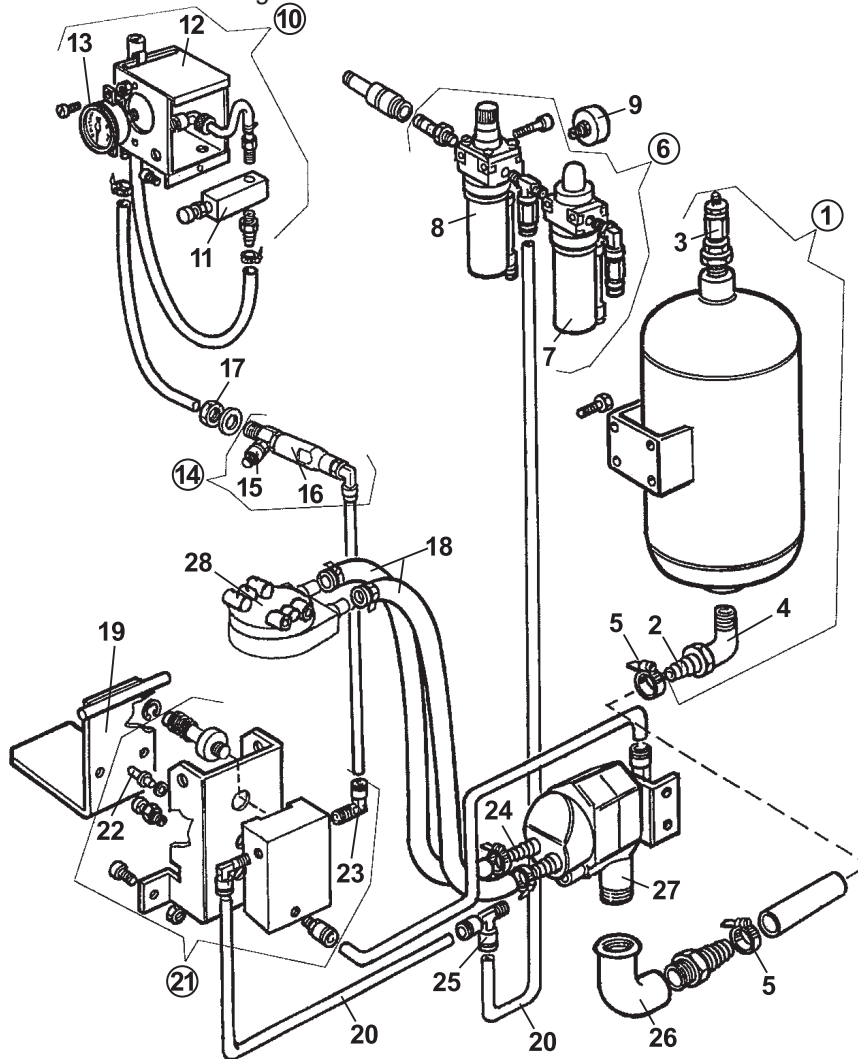
Cylinder

Item	SVI Part #	OEM Ref #	Description
1	BW-3013-75	900243359	Cylinder (Items 1-11)
2	BW-3013-76	900244968	Cylinder (Items 2-4)
3	BW-3003-42	900441609	Connector
4	BW-3013-77	900430020	Connector
5	BW-3013-78	900442431	Pressure Switch
6	BW-3013-79	900443369	Valve
7	BW-3013-80	900443368	Valve
8	BW-3013-81	900444550	Connector
9	BW-3013-82	900443365	Connector
10	BW-3013-83	900442276	Connector
11	BW-3013-84	900421138	Connector
12	BW-3013-85	900343720	Pin
13	BW-3013-86	900349119	Pin
14	BW-3013-87	900443161	Valve
15	BW-3004-80	900241484	Seal Kit
16	BW-3013-88	900240886	Block (Items 16-20)
17	BW-3012-41	900440887	Connector
18	BW-3002-60	900441651	Connector
19	BW-3007-09	900446939	Connector
20	BW-3013-89	900443353	Connector
21	BW-3013-90	900243420	Valve
22	BW-3002-27	900443367	Connector
23	BW-3011-98	900440585	Knob
24	BW-3013-91	900442097	Valve
NOT PICTURED:			
--	BW-3013-92	900442432	Valve
--	BW-3013-93	900442053	Valve
--	BW-3013-94	900435103	Connection
--	BW-3013-95	900442729	Connector



For Corghi Model Artiglio Basic

Repair Parts for other versions of tire changers are available! Just ask.



T.I. System

Item	SVI Part #	OEM Ref #	Description
1	BW-3000-56	900240968	Tank Kit (Items 1-4)
2	BW-3000-58	900438995	Connector
3	BW-3001-55	900337704	Connector
4	BW-3001-51	900435077	Valve
5	BW-3013-96	900437720	Strap
6	BW-3004-40	900441901	Filter (Items 6-8)
7	BW-3004-42	900439377	Bowl
8	BW-3004-41	900439376	Bowl
9	BW-3001-02	900434818	Pressure Gauge
10	BW-3003-58	900236366	Box (Items 10-13)
	BW-3013-97	900234176	Box (Items 10-13) (Ver. 2)
11	BW-3002-64	900235463	Valve
12	BW-3002-74	900235462	Hose
13	BW-3002-89	900436364	Pressure Gauge
	BW-3000-44	900434175	Pressure Gauge (Ver. 2)
14	BW-3006-20	900246892	Assembly (Items 14-16)
15	BW-3006-21	900446937	Valve
16	BW-3006-22	900447291	Valve
17	BW-3006-23	900333524	Nut

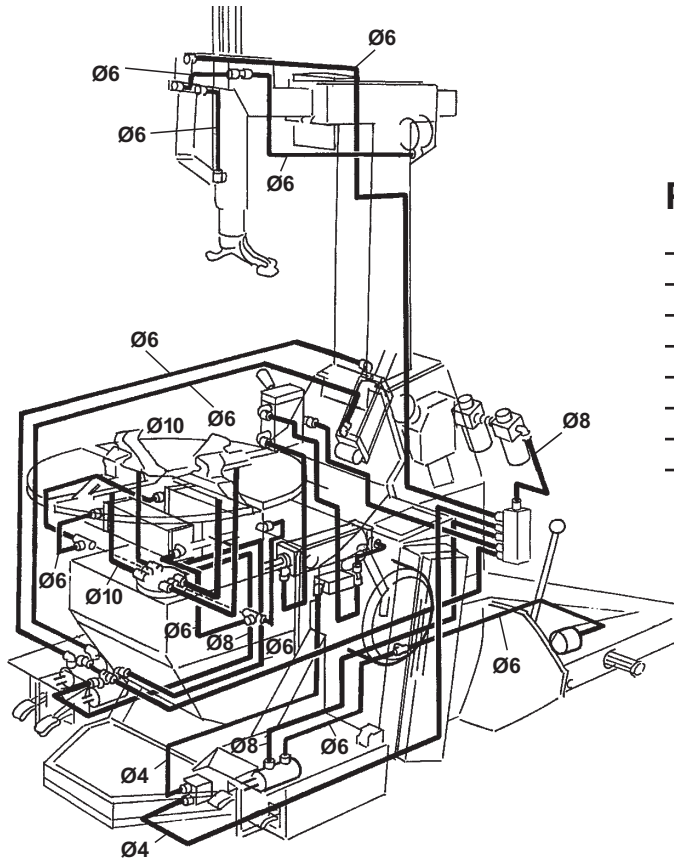
Item	SVI Part #	OEM Ref #	Description
18	BW-3013-98	900340915	Hose
19	BW-3000-57	900238708	Pedal
20	BW-3014-11	900704000	Hose
21	BW-3014-01	900240399	Assembly (Items 21-23)
22	BW-3002-64	900235463	Valve
23	BW-3004-39	900438673	Connector
24	BW-2307-38	900430738	Shield
25	BW-3014-02	900452876	Connector
26	BW-3014-03	900443199	Connector
27	BW-3000-18	900243203	Valve
28	BW-3000-23	900241841	Connector

NOT PICTURED:

29	BW-3014-04	900438514	Connector
30	BW-3007-65	900338685	Pin
31	BW-3006-15	900425595	Spring
32	BW-3007-62	900434921	Valve
33	BW-3013-99	900341717	Hose
34	BW-3004-37	900441899	Coupling
35	BW-3004-40	900441901	Filter
36	BW-3006-14	900338577	Spacer

For Corghi Model Artiglio Basic

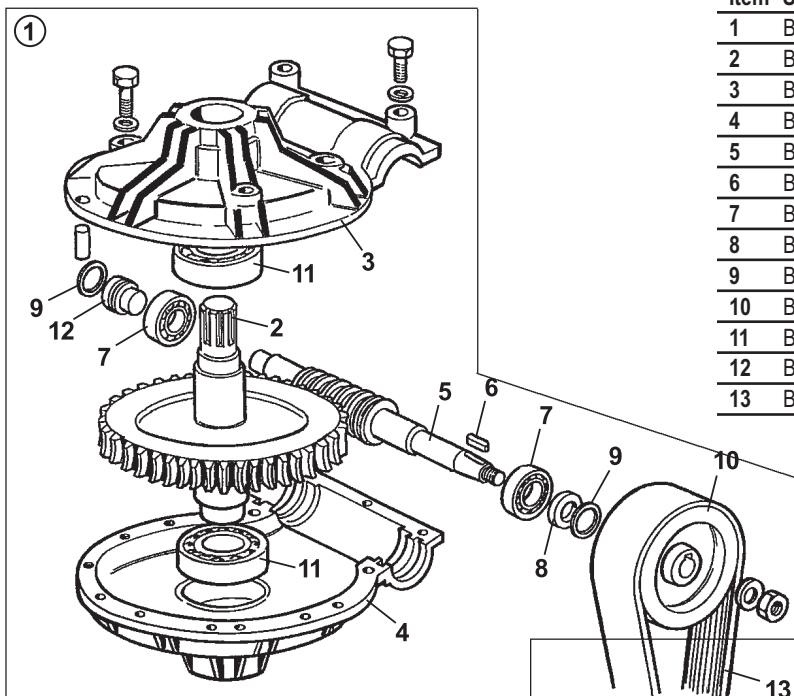
Repair Parts for other versions of tire changers are available! Just ask.



Pneumatic Connection

Item	SVI Part #	OEM Ref #	Description
Ø4	BW-3012-34	900704035	Ø4 Hose
Ø6	BW-3002-47	900701684	Ø6 Hose
Ø6B	BW-3012-38	900704003	Ø6B Hose
Ø6G	BW-3012-32	900704036	Ø6G Hose
Ø8	BW-3002-48	900701683	Ø8 Hose
Ø8R	BW-3014-11	900704000	Ø8R Hose
Ø10	BW-3002-49	900701875	Ø10 Hose

Gear Box

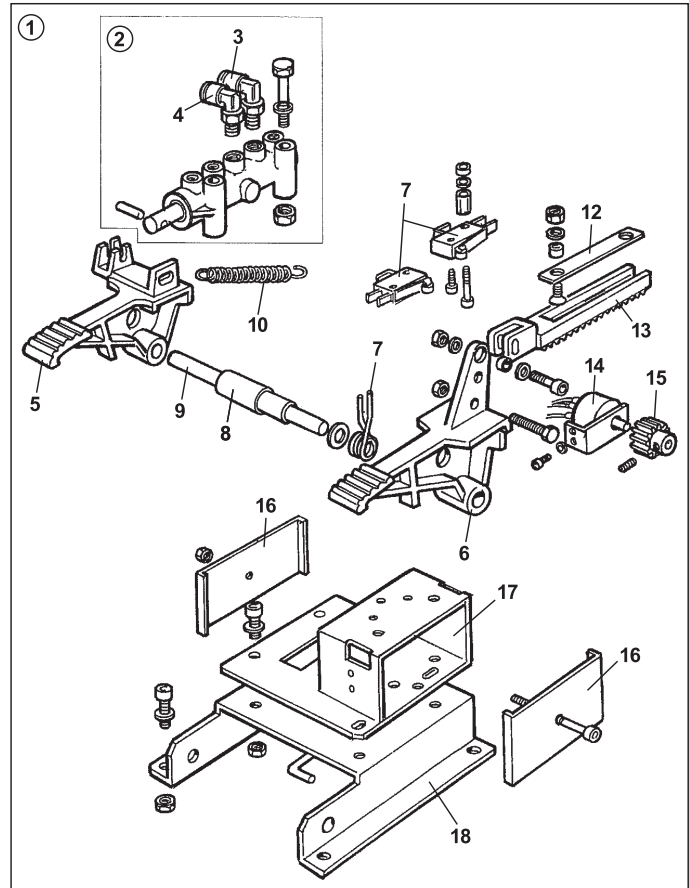
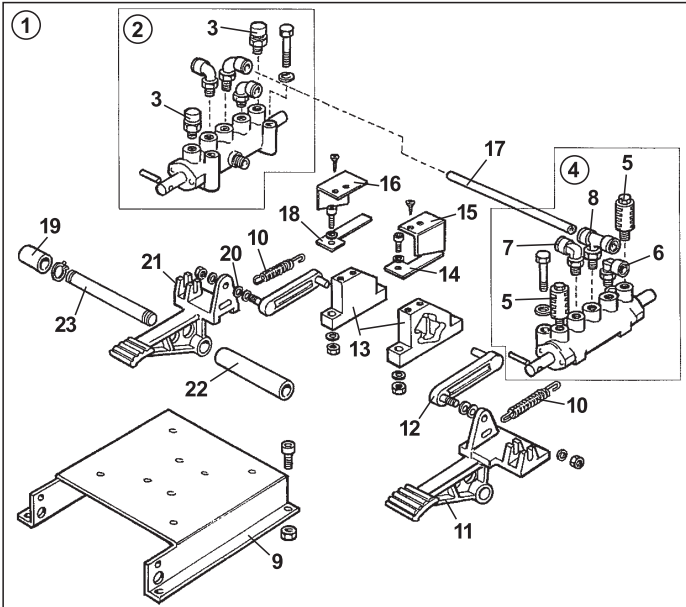


Item	SVI Part #	OEM Ref #	Description
1	BW-3014-13	900248905	Gear Box (Items 1-12)
2	BW-3014-14	900239967	Wheel
3	BW-3006-26	900331366	Box
4	BW-3006-27	900331364	Box
5	BW-3014-15	900232896	Screw
6	BW-3000-78	900600667	Tongue
7	BW-3003-93	900601221	Bearing
8	BW-3014-16	900431369	Seal
9	BW-3014-17	900433248	Seal
10	BW-3000-66	900339870	Pulley
11	BW-3003-90	900601220	Bearing
12	BW-3006-30	900437524	Cap Nut
13	BW-3000-67	900440571	Belt



For Corghi Model Artiglio Basic

Repair Parts for other versions of tire changers are available! Just ask.



Pedal - Left Side

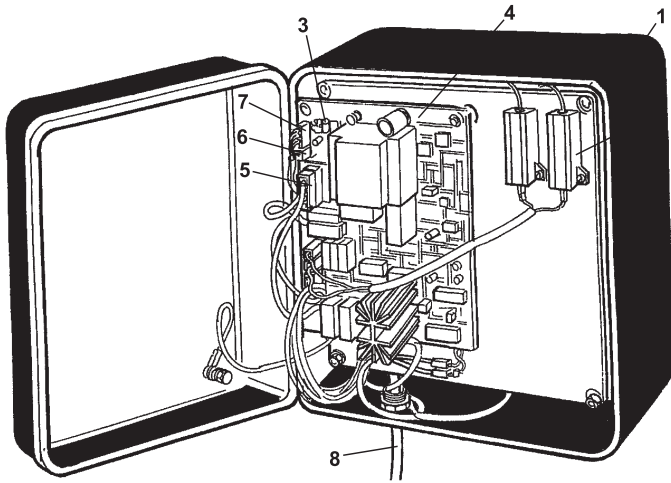
Item	SVI Part #	OEM Ref #	Description
1	BW-3014-19	900240321	Control Pedal (Items 1-23)
2	BW-3014-20	900258752	Valve (Items 2-3)
3	BW-3005-99	900433675	Regulator
4	BW-3014-22	900258438	Valve (Items 4-6 and 8)
5	BW-3002-90	900422682	Silencer
6	BW-3014-24	900440586	Connector
7			Call for Details
8	BW-3014-25	900440871	Connector
9	BW-3014-26	900340299	Support
10	BW-3002-36	900410628	Spring
11	BW-3014-28	900325031	Pedal
12	BW-3014-29	900425014	Rod
13	BW-3014-30	900425020	Cam
14	BW-3014-31	900340352	Leaf Spring
15	BW-3014-32	900329057	Angle Bar
16	BW-3014-33	900331448	Angle Bar
17	BW-3002-48	900701683	Ø8 Pipe
18	BW-3014-35	900340353	Leaf Spring
19	BW-3014-36	900340314	Spacer
20	BW-3014-37	900419888	Washer
21	BW-3014-38	900325030	Tilt Tower Pedal
22	BW-3014-39	900340313	Spacer
23	BW-3014-40	900340317	Pin

Pedal - Right Side

Item	SVI Part #	OEM Ref #	Description
1	BW-3014-41	900244992	Control Pedal (Items 1-18)
2	BW-3014-22	900258438	Valve (Items 2-4)
3	BW-9002-27	900443367	Connector
4	BW-3010-50	900440870	Connector
5	BW-3002-39	900325032	Pedal
6	BW-3000-98	900325029	Pedal
7	BW-3002-40	900428682	Spring
8	BW-3014-43	900340315	Spacer
9	BW-3014-40	900340317	Pin
10	BW-3002-36	900410628	Spring
11	BW-3009-85	900440874	Microswitch
12	BW-3014-44	900342874	Guide
13	BW-3014-45	900442873	Rack
14	BW-3014-46	900420932	Potentiometer
15	BW-3014-47	900441429	Gear
16	BW-3014-48	900342871	Lid
17	BW-3014-49	900342872	Box
18	BW-3014-50	900240300	Support

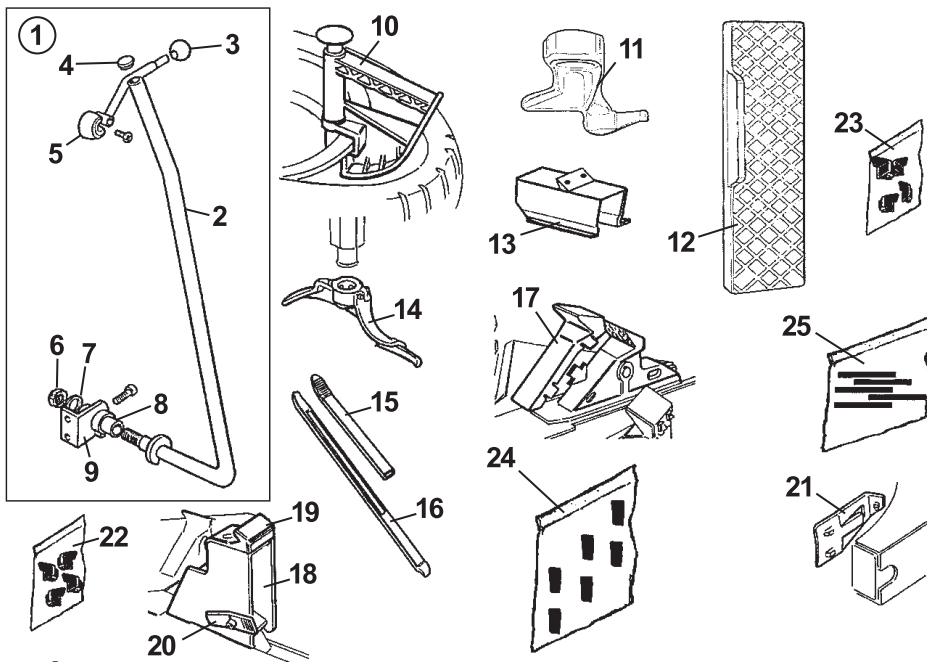
For Corghi Model Artiglio Basic

Repair Parts for other versions of tire changers are available! Just ask.



Electric Box

Item	SVI Part #	OEM Ref #	Description
1	BW-3014-05	900343270	Box
2	BW-3014-06	900241413	Resistance
3	BW-3014-07	900448666	Filter
4	BW-3014-08	900458984	P.C. Board
5	BW-3014-51	900240679	Cable
6	BW-3014-52	900243448	Cable
7	BW-3014-53	900242217	Cable
8	BW-3014-54	900249548	Cable



Accessories

Item	SVI Part #	OEM Ref #	Description
1	BW-3014-55	801248941	Lever (Complete) (Items 1-8)
2	BW-3014-56	900240592	Lever
3	BW-3001-25	900423889	Knob
4	BW-3014-57	900424944	Plug
5	BW-3004-57	900440600	Head
6	BW-3014-58	900440946	Nut
7	BW-3014-59	900341571	Washer
8	BW-3014-60	900424142	Bushing
9	BW-3014-61	900240597	Support
10	BW-2368-51	801435685	Drop Center Tool / Clamp / Pliers
11	BW-3004-54	801252083	Head Kit 8"
12	BW-3004-53	801458663	Shield
13	BW-3000-86	801258650	Adaptor

Item	SVI Part #	OEM Ref #	Description
14	BW-3004-43	900228563	Head
15	BW-3004-50	801246241	Shield
16	BW-3000-20	900444238	Lever
17	BW-3000-15	801254343	Shield
18	BW-3013-16	801252087	Adaptor
19	BW-3004-47	900435202	Wedge
20	BW-3000-87	900426746	Crick
21	BW-3007-91	801260402	Bead Breaker
22	BW-3000-60	801254342	Shield
23	BW-3007-92	801254341	Insert
24	BW-3004-51	801258383	Shield
25	BW-3000-85	801258898	Insert

**TERMS AND CONDITIONS OF THE
SALES ORDER
FOR SVI INTERNATIONAL, INC.**

1. **GENERAL.** The terms and conditions of sales order outlined herein shall apply to the sale by SVI INTERNATIONAL, INC. (hereinafter referred to as "Company") of the items described on the facing page (hereinafter referred to as "Merchandise") to Purchaser.
2. **DELIVERY.** Delivery shall be deemed to be complete when the Merchandise has been shipped F.O.B. Company's plants in DeKalb, Illinois, Duarte, California; and Baltimore, Maryland ("Company's plants"). Shipments are subject to delays from causes or contingencies beyond the reasonable control of the Company. When otherwise not specified, shipments will be made in standard containers via carrier which, in the judgment of the Company, will result in the most practical method. Title and right of possession will pass to the Purchaser upon receipt by the carrier at the shipping point. If a customer of the Company should specify a specific carrier's method of shipment (i.e. UPS Next Day Air) and that carrier does not perform to the customer's expectations, freight credit to a customer's account will not be issued unless the Company can first obtain a credit.
3. **RISK OF LOSS.** Identification of the Merchandise under Uniform Commercial Code (hereinafter referred to as "UCC") Section 2-501 shall take place at the moment of shipment F.O.B. Company's plants. Risk of loss shall pass to the Purchaser when the Merchandise is shipped from the Company's plants.
4. **TITLE.** Title to the merchandise shall transfer to the Purchaser when the Merchandise is shipped from the Company's plants.
5. **WARRANTIES.** The Company guarantees its products to be free from defects in workmanship and raw materials for a period of one year from date of purchase. THIS WARRANTY IS EXPRESSLY IN LIEU OF ANY AND ALL WARRANTIES EXPRESS OR IMPLIED. COMPANY DOES NOT WARRANT THE MERCHANDISE IS MERCHANTABILITY OR FIT FOR ANY PARTICULAR PURPOSE. Company's liability for breach of the terms of this Agreement, including any warranty, is limited to either refund of the invoice price of the Merchandise or at Company's option, replacement of the Merchandise free of charge, including transportation charges but not including the cost of labor. Purchaser has not relied on any statement or upon the conduct of Company with respect to the prospective use of the merchandise. Company shall not be liable for and Purchaser waives any and all claims for any loss or damage, directly or indirectly, arising from the use of the Merchandise and for punitive, incidental or consequential damages, including, but not limited to, damages to property, for loss of use, loss of time, loss of profit or loss of income. The Company does not authorize the sale of our products under any other warranty, expressed or implied.
6. **SETOFF.** All claims for money due or to become due from the Company shall be subject to deduction by the Company for any setoff or counterclaim arising out of this or any other claims of the Company or its affiliated companies, whether such setoff or counterclaim arose before or after any assignment by Purchaser.
7. **INDEMNIFICATION.** Purchaser agrees to indemnify the Company and hold it harmless from and against all claims, liability, loss, damage or expense, including reasonable counsel fees, arising from or by reason of any modifications or alterations made by Purchaser. If a customer of the Company modifies or alters any part, in any manner whatsoever, or uses any part in departure from recommended performance specifications, said customer agrees to indemnify and hold the Company harmless from and against all liability and expenses based on damage to property or injury to or death of any person arising out of or attributable to such modified or altered part. Further, the Company will not accept any such modified or altered part for credit to a customer's account.
8. **FREIGHT POLICY.** Freight charges on individual orders less than \$3,000 in net value are prepaid and added to invoice or collect F.O.B. shipping point. Freight charges (standard ground service and continental US only) on individual orders more than \$3,000 net value are paid by the Company F.O.B. shipping point. Note: customers with C.O.D. terms are responsible for all carrier C.O.D. fees regardless of order net value.
9. **RETURN POLICY.** To return parts for credit or inspection Purchaser must first contact the Company to obtain a Return Goods Authorization number (RGA#). Once Purchaser has obtained an RGA# the parts can be returned freight prepaid only. The RGA# must be on the outside of the container in a highly visible location. All parts must be returned freight prepaid and the shipment must include a letter of explanation giving the specific reason for return including details as to the conditions under which the part or parts operated. Note: parts returned without an RGA#, freight collect or without written explanation may be refused. Parts which have been used in any way or manner, including any installation or incorporation into a lift or hoist, shall NOT be eligible for return whether or not an RGA has been assigned.
10. **RESTOCK CHARGE.** Returns are subject to up to twenty-five (25%) restocking charge. Refusals are subject to the same restocking charge plus the cost of outbound and return freight charges and/or fees incurred by the Company due to shipment refusal.
11. **PRICES AND PAYMENTS.** All prices are subject to change without notice. All prices are F.O.B. shipping point. The Company standard terms are net 30 days, C.O.D. company check, C.O.D. cash, VISA, MasterCard, Discover or American Express. However, if in the judgment of the Company, the financial condition of the Purchaser at any time does not justify shipment according to standard terms of payment, the Company may require full or partial payment in advance.
12. **INTERPRETATION.** This sales order is intended by the parties as a complete and exclusive statement of the terms of their agreement. It supersedes all prior agreements, written or oral. No course of prior dealings between the parties and no usage of the trade shall be relevant to supplement or explain any terms used in this sales order. Acceptance or acquiescence in a course of performance rendered under this purchase order shall not be relevant to determine the meaning of this sales order even though the accepting or acquiescing party has knowledge of the nature of the performance and opportunity for objection. Whenever a term defined by the UCC is used in this sales order the definition contained in the UCC shall control.
13. **MODIFICATION.** This sales order can be modified or rescinded only by a writing signed by both parties.
14. **WAIVER.** No claim or right arising out of a breach of this sales order can be discharged in whole or in part by a waiver or renunciation of the claim or right unless such waiver or renunciation is supported by consideration and is in writing signed by the aggrieved party.
15. **ASSIGNMENT.** No right or interest in this sales order shall be assigned by either party without the written consent of the other and no delegation of any obligation owed, or of the performance of any obligation by either the Company or Purchaser shall be made without the written consent of the other party. Any attempted assignment or delegation not made in conformity with this paragraph shall be wholly void and totally ineffective for all purposes.
16. **TIME TO PERFORM AND BRING ACTION.** Time is of the essence of this sales order. Any action for breach of this sales order shall be commenced within two (2) years after the cause of action has accrued. Any party who loses any litigation shall reimburse the other party for costs including reasonable attorneys fees. The exclusive jurisdiction for any legal action shall be the Circuit Court of DeKalb County, Illinois.
17. **APPLICABLE LAW.** This sales order shall be governed by the UCC of Illinois as effective and in force on the date of this sales order.