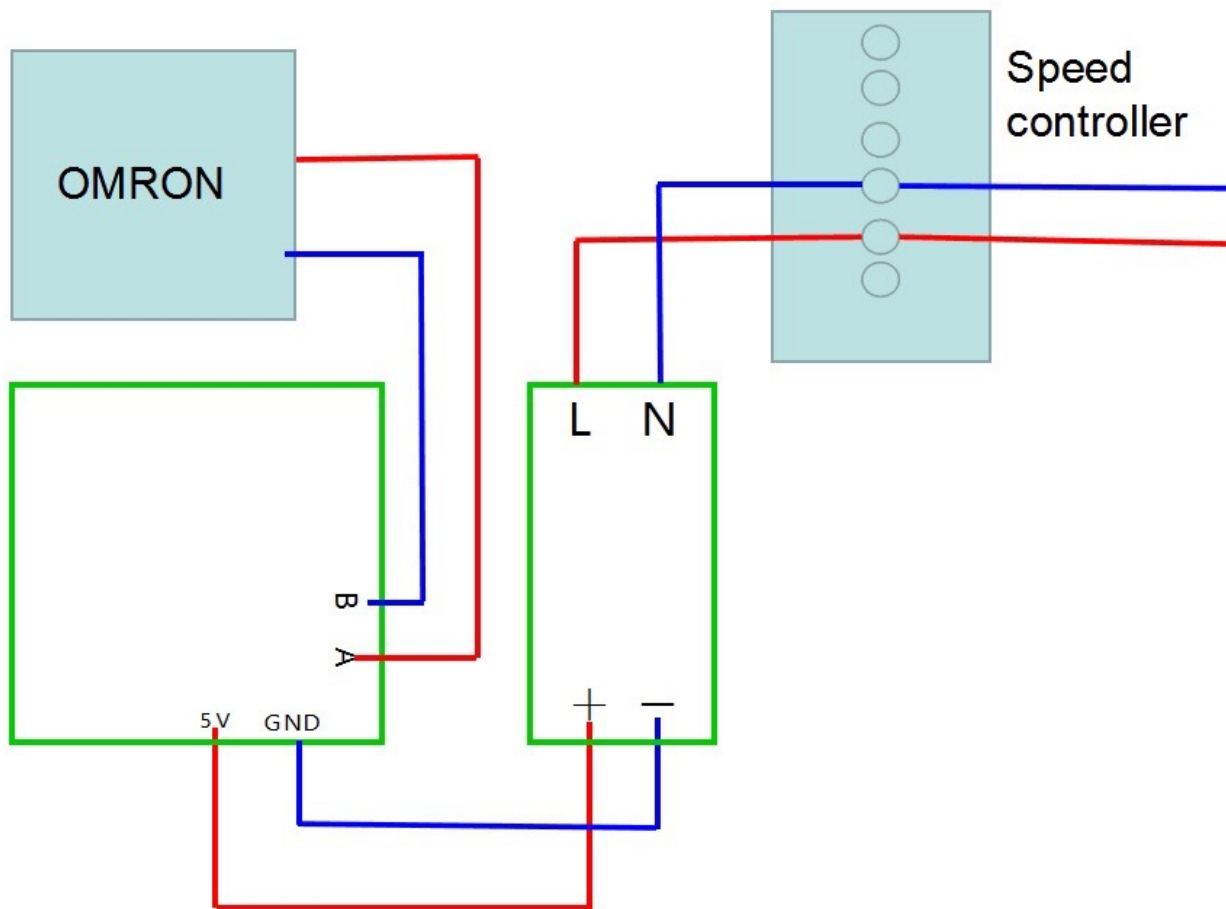


INSTALLING A NEW OR REPLACEMENT BC DATA LOGGER

IF YOU HAVE PURCHASED OR RECEIVED A WARRANTY REPLACEMENT BC DATA LOGGER IT IS LIKELY THE NEW BRAND WE ARE USING THAT REQUIRES DIFFERENT INSTALLATION AS WELL AS A DIFFERENT DRIVER FOR YOUR COMPUTER.

THIS DATA SHEET WILL PROVIDE INFORMATION N PART REPLACEMENT. ALSO YOU CAN DOWNLOAD THE SETUP GUIDE AND DRIVERS FROM OUR TECH PAGE AS WELL AS ARTISAN SOFTWARE.

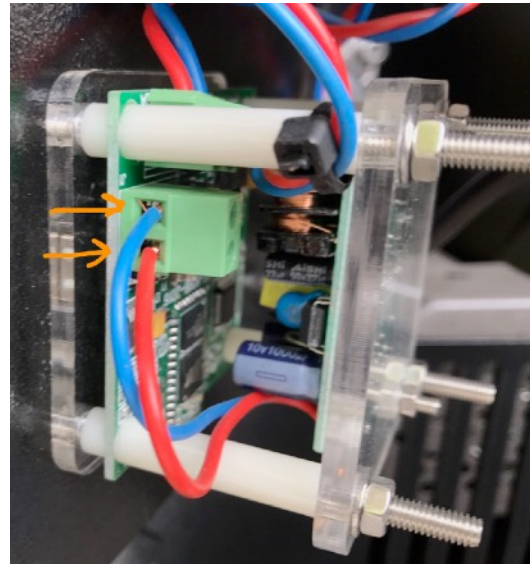
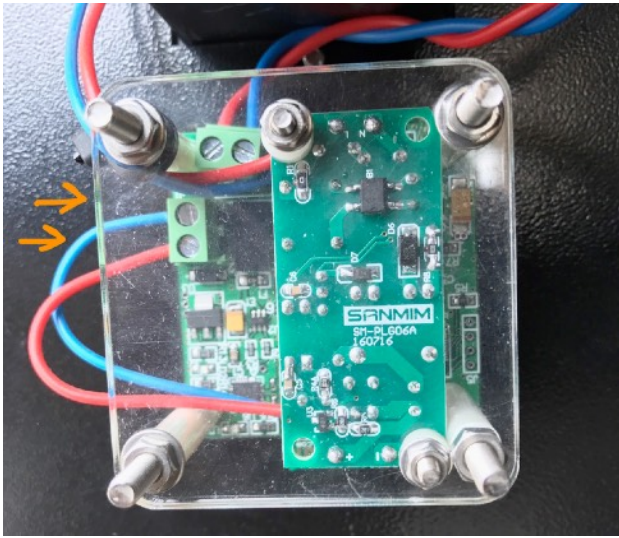
SETUP DRAWING WITH PROPER WIRING:



AS SEEN ABOVE THE NEW DATA LOGGER REQUIRES ADDITIONAL POWER THAT CAN BE RECEIVED FROM HOOKING INTO THE SPEED CONTROLLER. (BE SURE TO FOLLOW THIS CHART EXACTLY OR YOU WILL VOID PART WARRANTY)

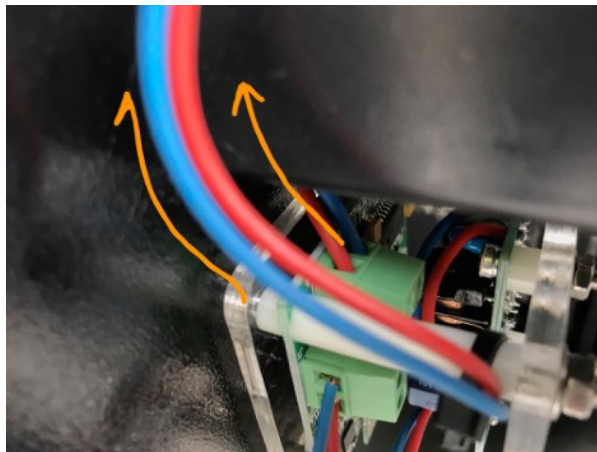
BELOW ARE ADDITIONAL PICTURES TO HELP WITH INSTALLATION:

NEW TYPE DATA LOGGER SHOWING WIRE CONNECTIONS:



SIDE VIEW: BLUE ON TOP & RED BELOW:

(NEW DATA LOGGER REQUIRES ADDITIONAL POWER SOURCE. THIS CAN BE PLUGGED INTO THE MOTORS SPEED CONTROL AS SHOWN BELOW)



PLEASE FOLLOW THIS DATA SHEET CLOSELY. YOUR NEW DATA LOGGER WORKS WITH THE OMRON DIGITAL CONTROLS TO CONNECT TO ARTISAN SOFTWARE. THE NEW DRIVER NEEDED FOR USB CONNECTION IS CP210X. YOU CAN GET IT AND ARTISAN SETUP GUIDE ON OUR TECH PAGE OF WEBSITE. THIS NEW DATA LOGGER ALSO ALLOWS BLUETOOTH CONNECTION ON EQUIPPED COMPUTERS AND MAY REQUIRE AN ADDITIONAL DONGLE TO CONNECT USING BT.