



SERVICE PARTS MANUAL



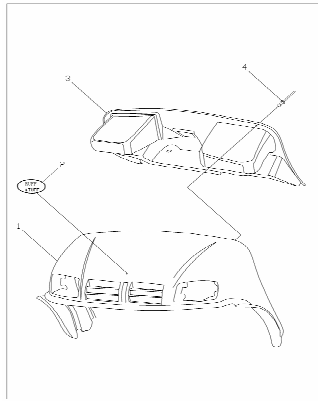
RTEV CRUISER 2P/4P
RTEV HUNTER 2P/4P

Ruff & Tuff Electric Vehicles, Inc.

Ruff & Tuff Electric Vehicles Inc, reserves the right to modify any equipment, technical specifications, colors, materials, services offered and rendered, and the like so as to adapt them to local conditions without previous announcement and without giving reasons, or to cancel any of the above items without substituting them with others. It shall be acceptable to stop manufacturing a certain model without previous announcement. In the event of such modifications, please ask your local Ruff & Tuff dealer for information. We shall not be held liable for any printing errors.

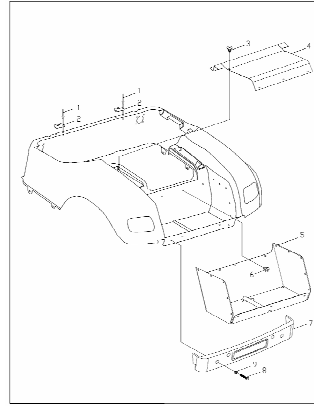
© By Ruff & Tuff Electric Vehicles, Inc. USA. All rights reserved.

Front Cowl and Instrument



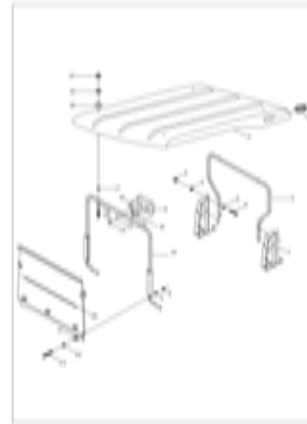
Page 7

Rear Cowl Assembly



Page 8

Sun Top and Strut (I)



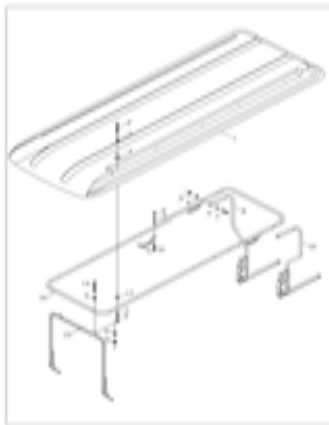
Page 9

Sun Top and Strut (II)



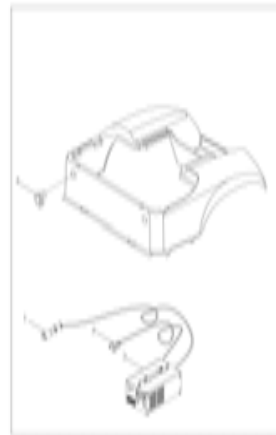
Page 10

Sun Top and Strut (III)



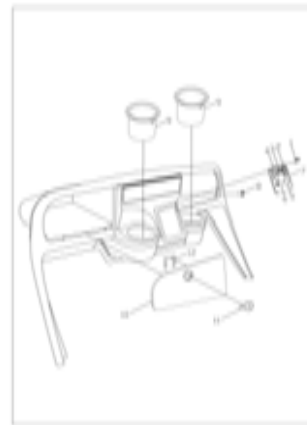
Page 11

Charger



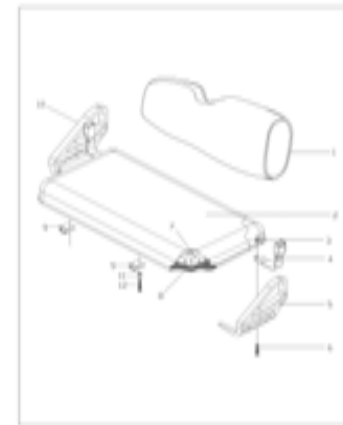
Page 12

Instrument Panel



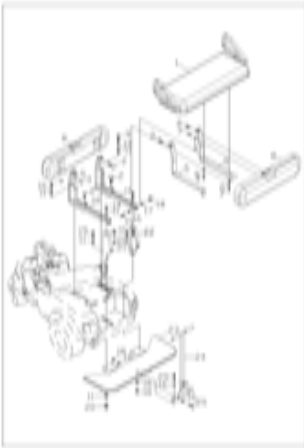
Page 13

Seat System I



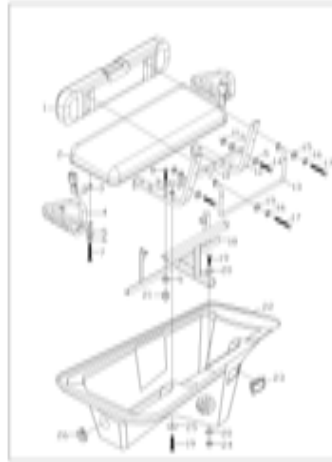
Page 14

Seat System II



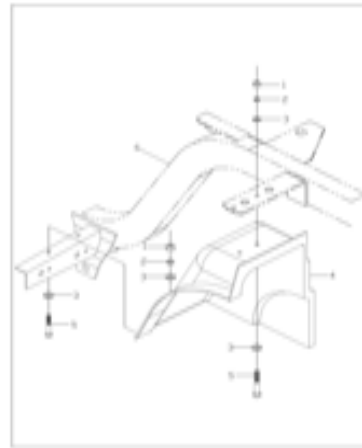
Page 15

Seat System III



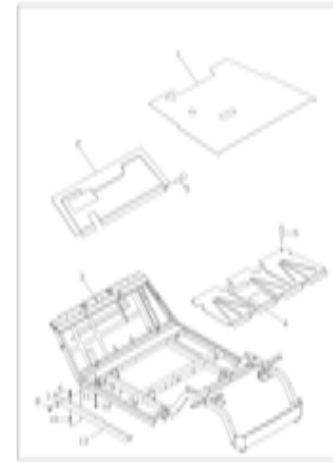
Page 16

Rear Wheel House Panel



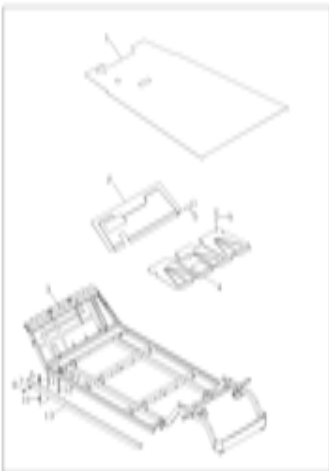
Page 17

Frame (I)



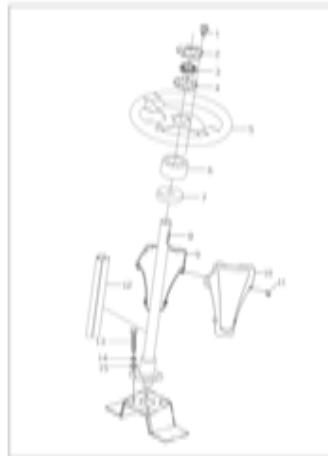
Page 18

Frame (II)



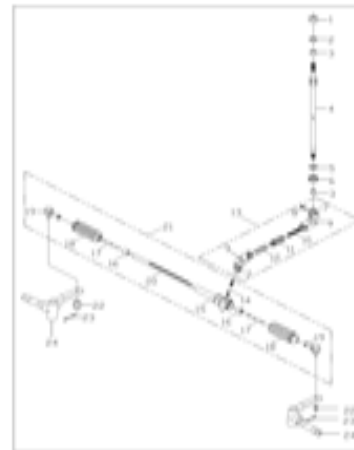
Page 19

Steering System



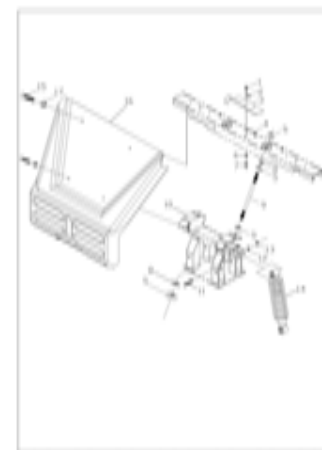
Page 20

Steering Shaft System



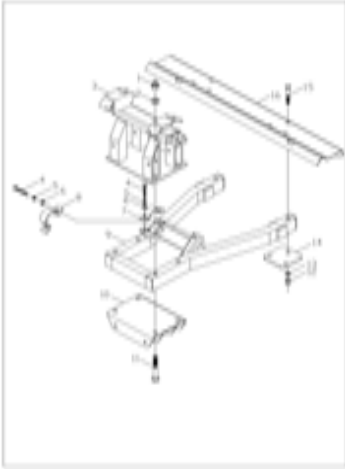
Page 21

Front Independent Suspension I



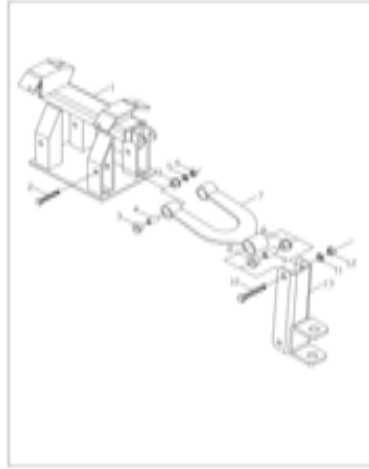
Page 22

Front Independent Suspension II



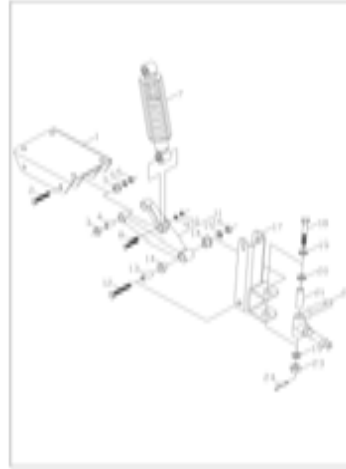
Page 23

Front Independent Suspension III



Page 24

Front Independent Suspension IV



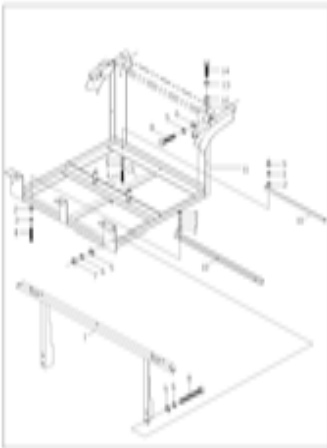
Page 25

Electric System Assembly



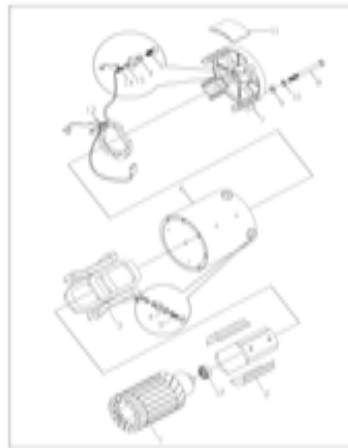
Page 26

Battery Frame



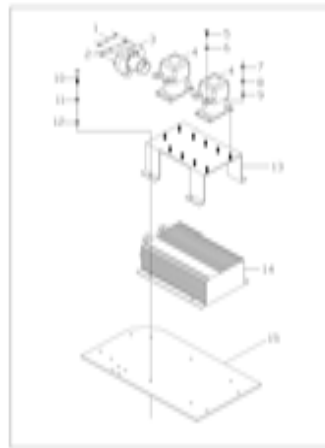
Page 27

Motor



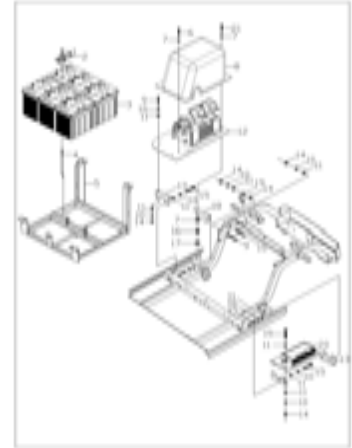
Page 28

Controller



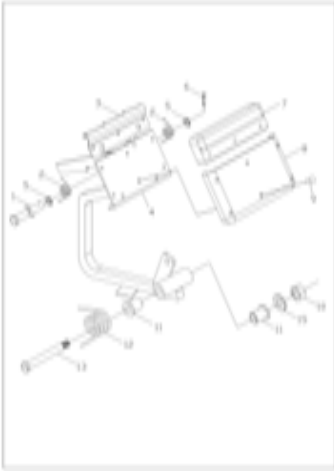
Page 29

Battery and Converter



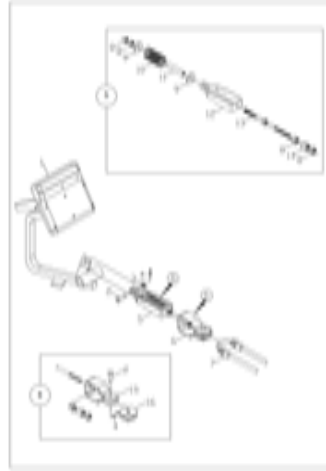
Page 30

Brake Panel System I



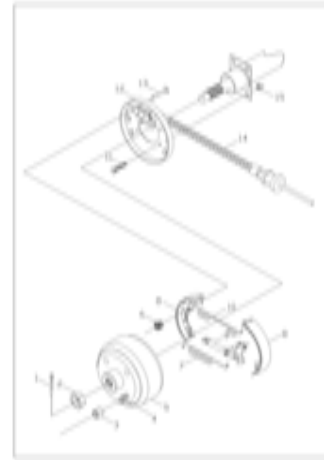
Page 31

Brake System II



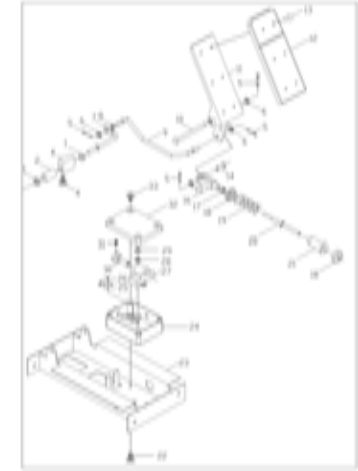
Page 32

Rear Hub and Brake System



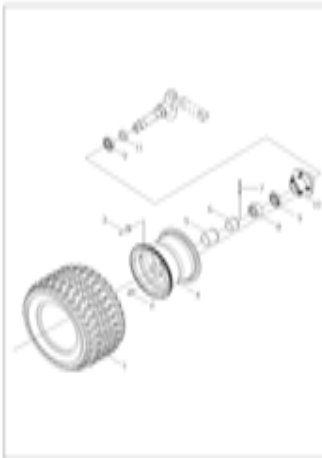
Page 33

Accelerator



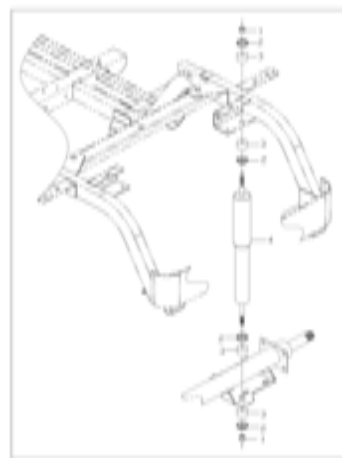
Page 34, 35

Front Tire



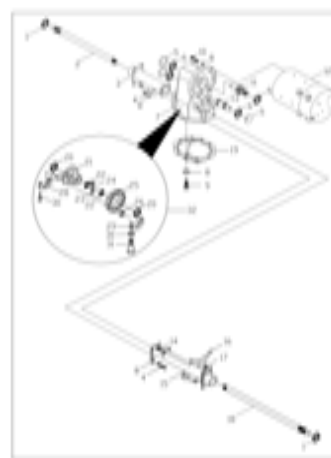
Page 36

Rear Shock Assembly



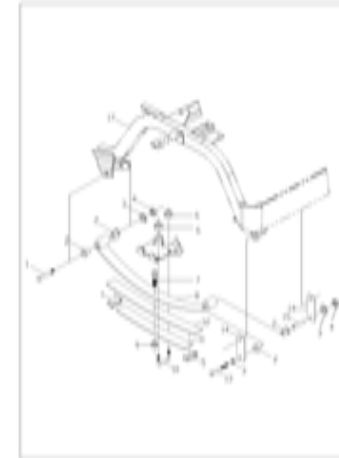
Page 37

Rear Drive Axle



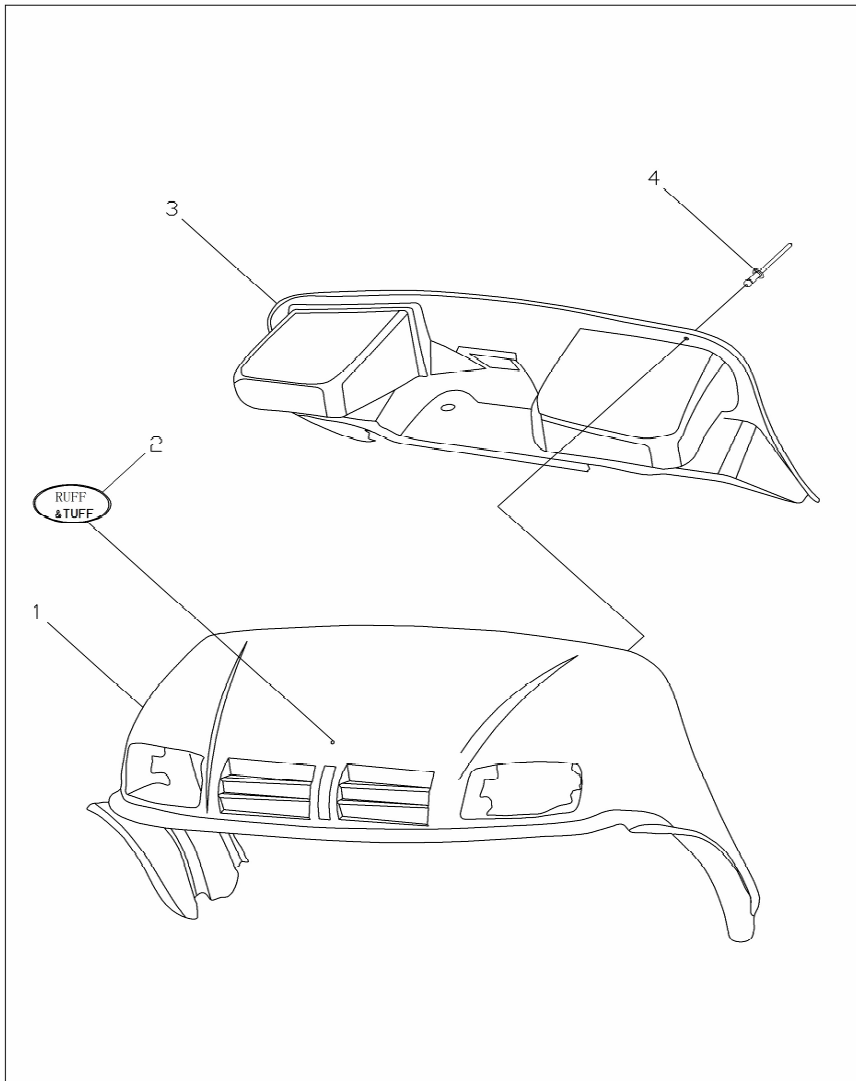
Page 38, 39

Rear Leaf Spring



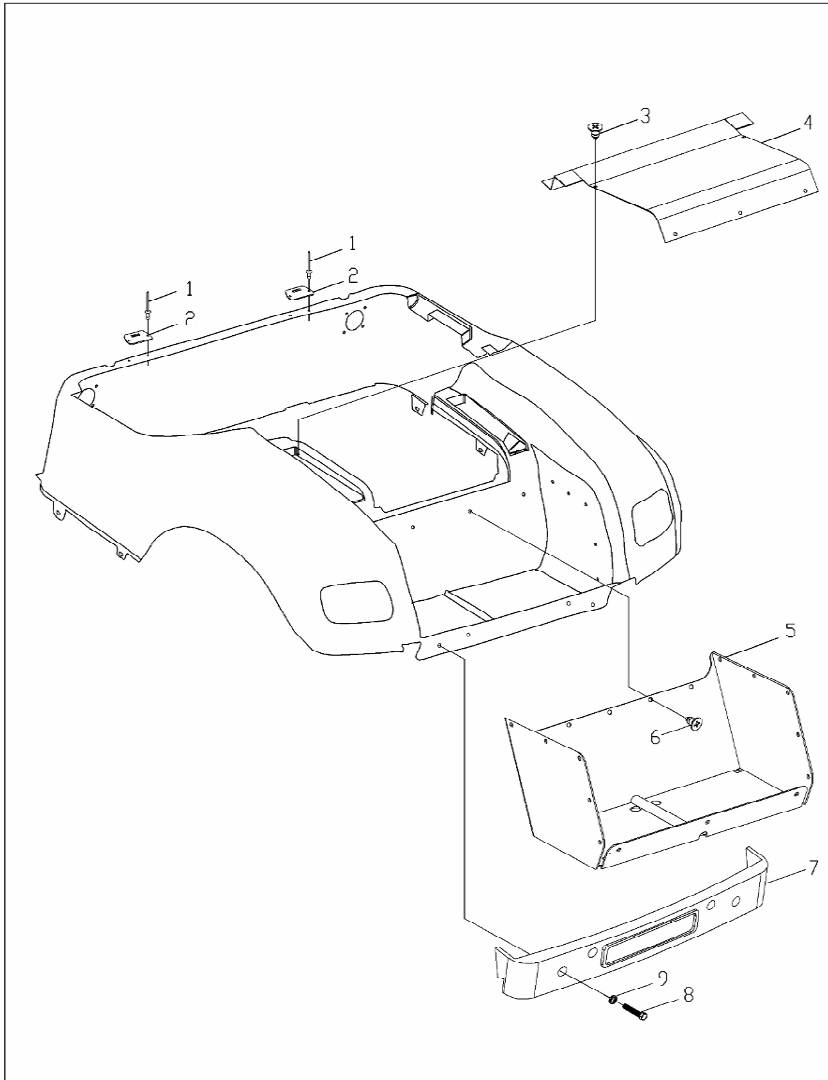
Page 40

Front Cowl and Instrument



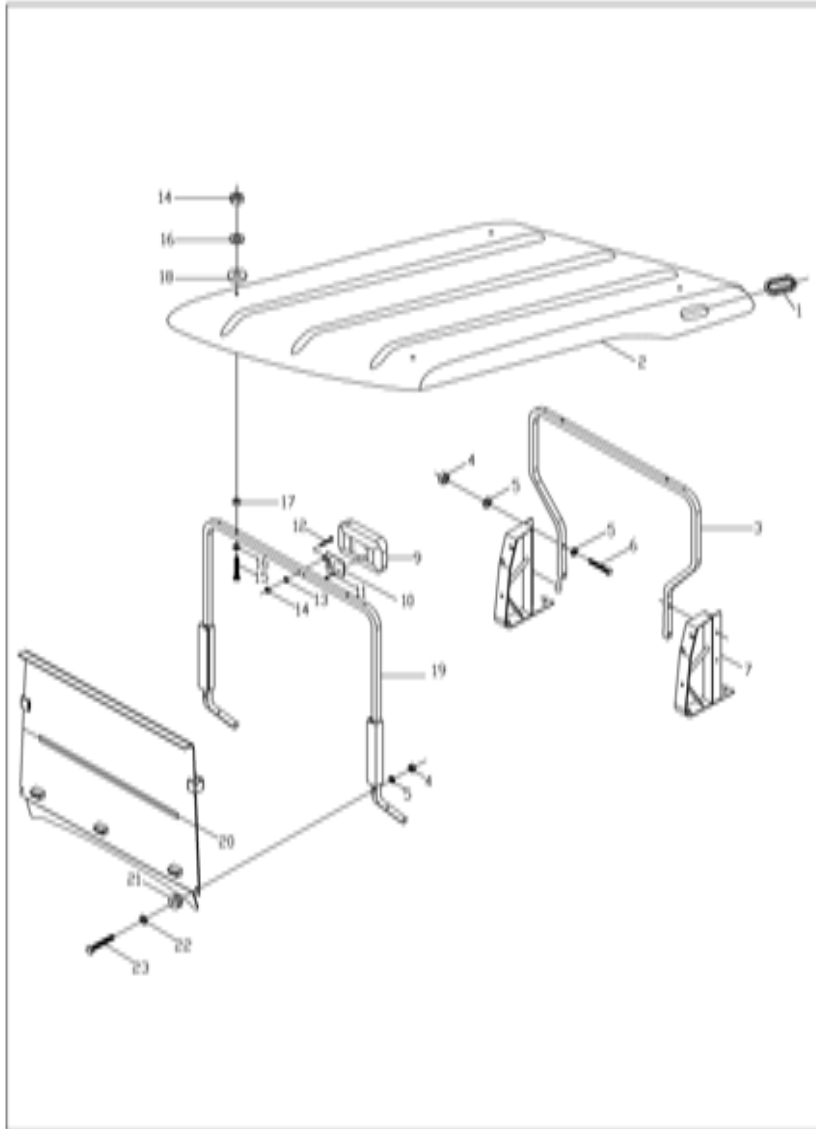
	Part No.	Part Name	Qty
1	HEL2-5300100	Front Cowl	1
2	IN00149856	Front RT Badge	1
3	HEL2-5300200	Instrument Panel Assembly	1
4	GB12618-90	Rivet 5×16	13

Rear Cowl Assembly



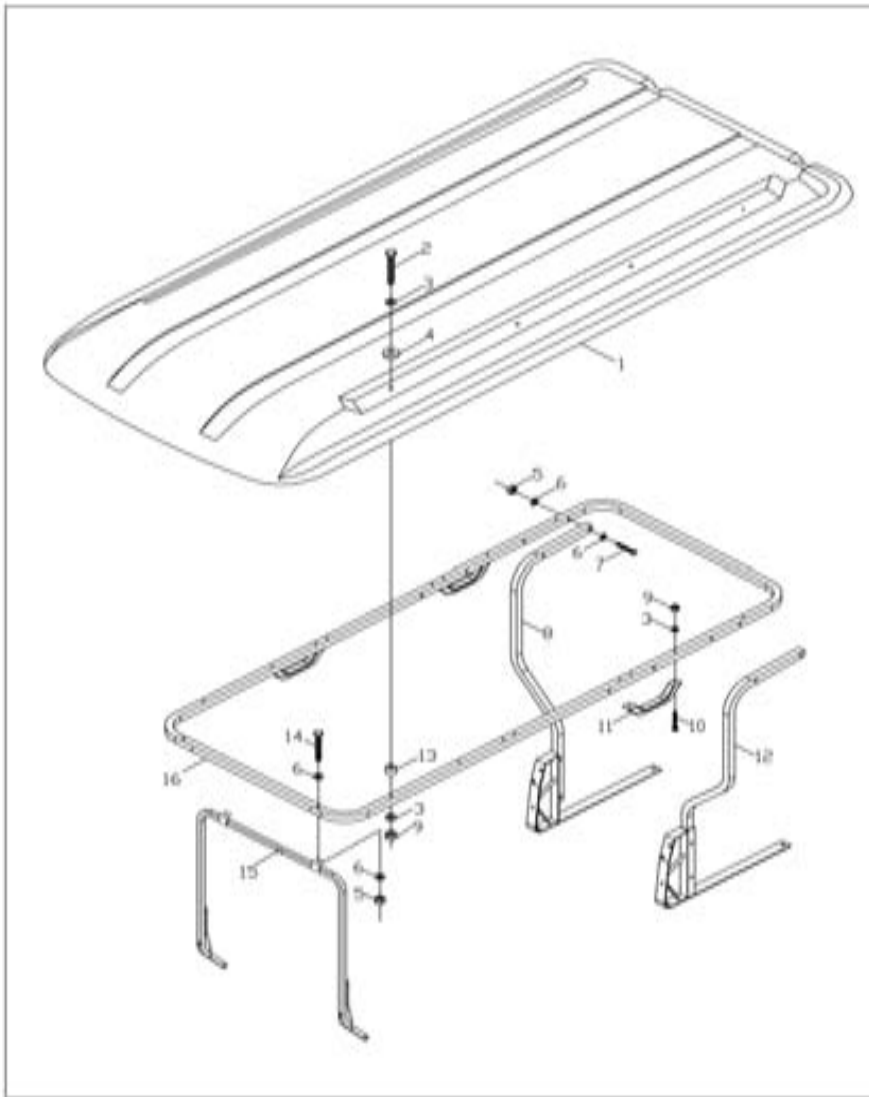
	Part No.	Part Name	Qty
1	GB12618-90	Rivet 3×7	4
2	HEL2-0000007	Seat Hinge Plate	2
3	GB845-85	Screw ST4.2×12	7
4	HEL2-5600004	Access Panel	1
5	HEL2-5600002	Bagwell Liner	1
6	HEL2-0000011	Ratchet Fastener	20
7	HEL2-0000040	Rear Bumper	1
8	GB818-85	Screw M6×20	4
9	GB95-85	Washer (6)	4
10	HEL2-5600001	Rear Cowl	1

Sun Top and Strut (I)



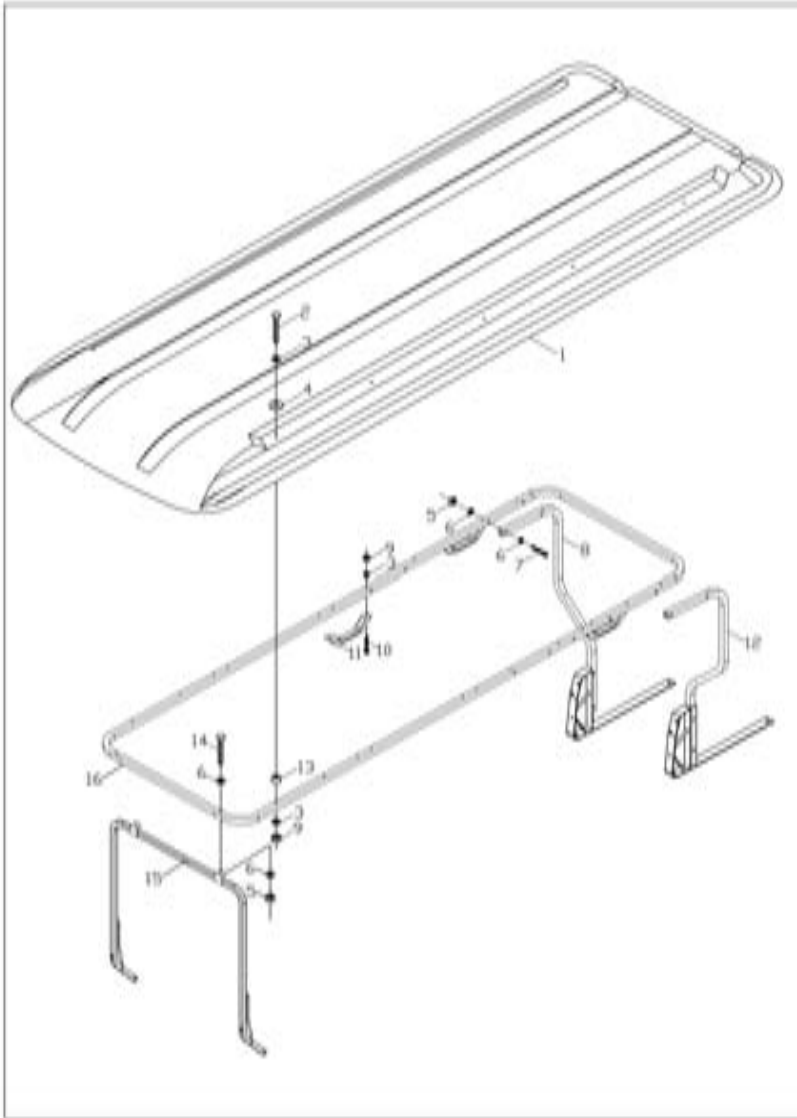
No.	Part No.	Part Name	Qty
1	HEL2-5700102	Handle Jacket	2
2	HEL2-5700100	Sun Top	1
3	HEL2-5700001	Rear Strut	2
4	GB889-86	Lock NUT M8	4
5	GB97.1-85	Washer 8	8
6	GB5783-86	Bolt M8×45	4
7	HEG2-6800400	Left Seat Back Support	1
8	HEG2-6800500	Right Seat Back Support	1
	HEL2-0000300	Rear View Mirror Assy.	1
9	HEL2-0000310	Rear View Mirror	1
10	HEL2-0000320	Bracket of Mirror	1
11	GB818-85	Screw M4×20	3
12	GB818-85	Screw M6×40	2
13	GB97.1-85	Washer 6	4
14	GB889-86	NUT M6	8
15	GB818-85	Stainless Screw M6×60	4
16	GB96-85	Stainless Washer 6	8
17	HEL2-2310002	Nylon Bush	4
18	HEL2-5700004	Rubber Washer	4
19	HEL2-5700002	Front Strut	1
20	1019B64	Windshield 2pc. clear	1
21	HEL2-5700003	Rubber Bushing	2
22	GB96-85	Stainless Washer 6	2
23	GB818-85	Stainless Screw M6×45	2

Sun Top and Strut (II)



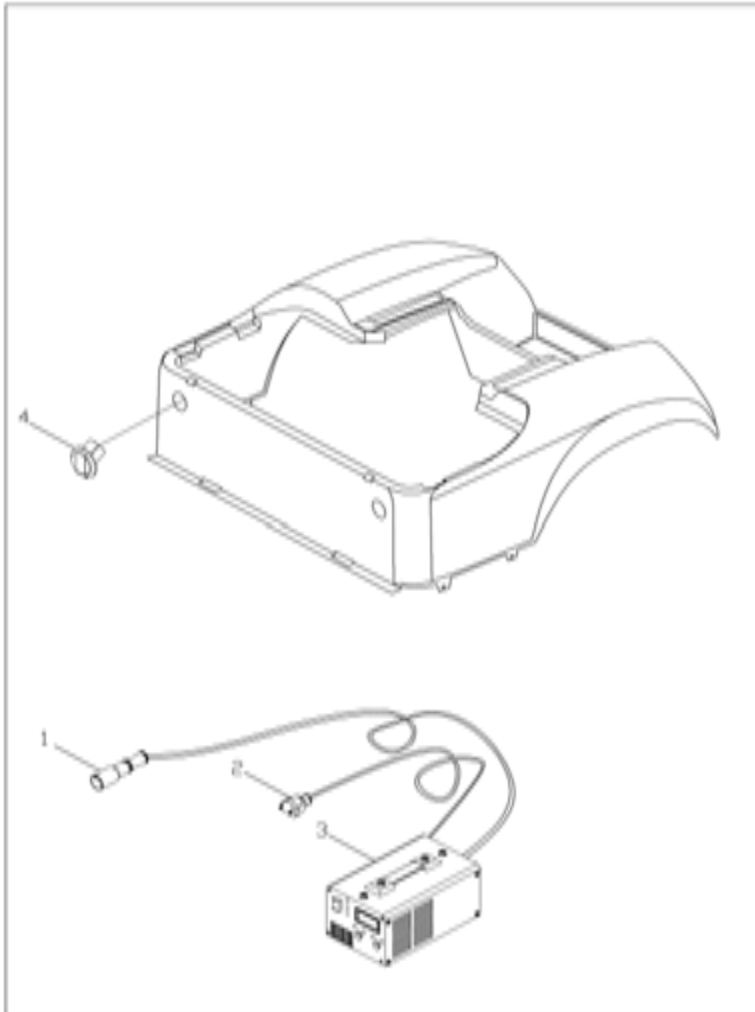
No.	Part No.	Part Name	Qty
1	HEL6-5700104	Sun Top	1
2	GB818-85	Stainless Screw M6×55	8
3	GB96-85	Stainless Washer 6	22
4	HEL2-5700004	Rubber Washer	8
5	GB889-86	Lock Nut M8	6
6	GB95-85	Washer 8	12
7	GB5781-86	Bolt M8×60	6
8	HEL6-5700001	Right Rear Strut	1
9	GB889-86	Lock Nut M6	14
10	GB818-86	Screw M6×35	6
11	HEL6-5700120	Handle	3
12	HEL6-5700003	Left Rear Strut	1
13	HEL2-0000013	Intensify Bush	8
14	GB5781-86	Bolt M8×40	2
15	HEL6-5700002	Front Strut	1
16	HEL6-5700102	Top Frame	1

Sun Top and Strut (III)



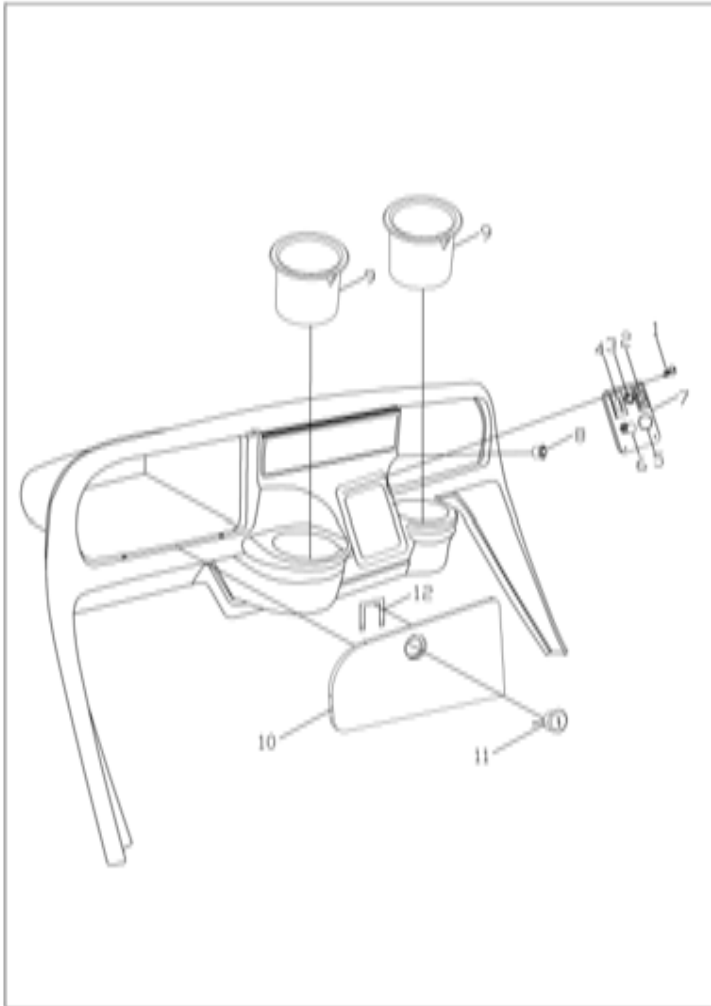
No.	Part No.	Part Name	Qty
1	HEL6-5700105	Sun Top	1
2	GB818-85	Stainless Screw M6×55	10
3	GB96-85	Stainless Washer 6	26
4	HEL2-5700004	Rubber Washer	10
5	GB889-86	Lock Nut M8	6
6	GB95-85	Washer 8	12
7	GB5781-86	Bolt M8×60	4
8	HEL6-5700001	Right Rear Strut	1
9	GB889-86	Lock Nut M6	16
10	GB818-86	Screw M6×35	6
11	HEL6-5700120	Handle	3
12	HEL6-5700003	Left Rear Strut	1
13	HEL2-0000013	Intensify Bush	10
14	GB5781-86	Bolt M8×40	2
15	HEL6-5700002	Front Strut	1
16	HEL6-5700103	Top Frame	1

Charger



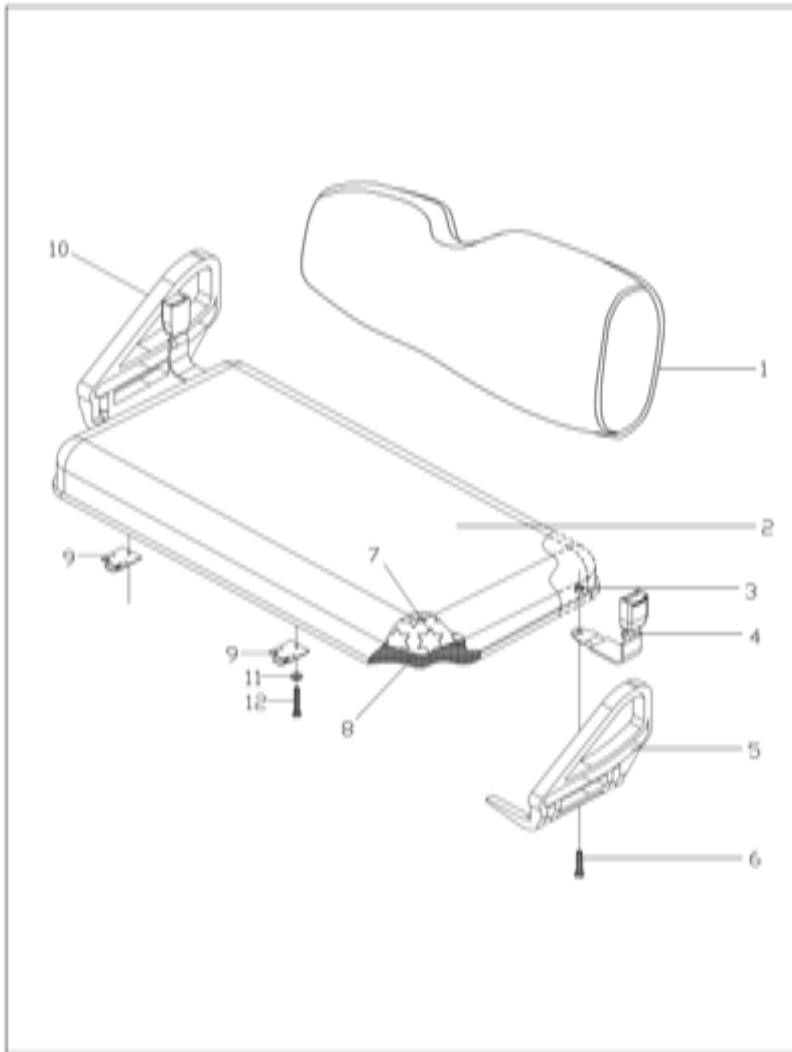
No.	Part No.	Part Name	Qty
1	HEL2-3730122	Charging Cable	1
2	DC 101	Power Supply Cable	1
3	48V 18A SMT S	Charger	1
4	HEL2-3730300	Charging Socket	1
	48V OB CB	On-Board Charger Bracket	1

Instrument Panel



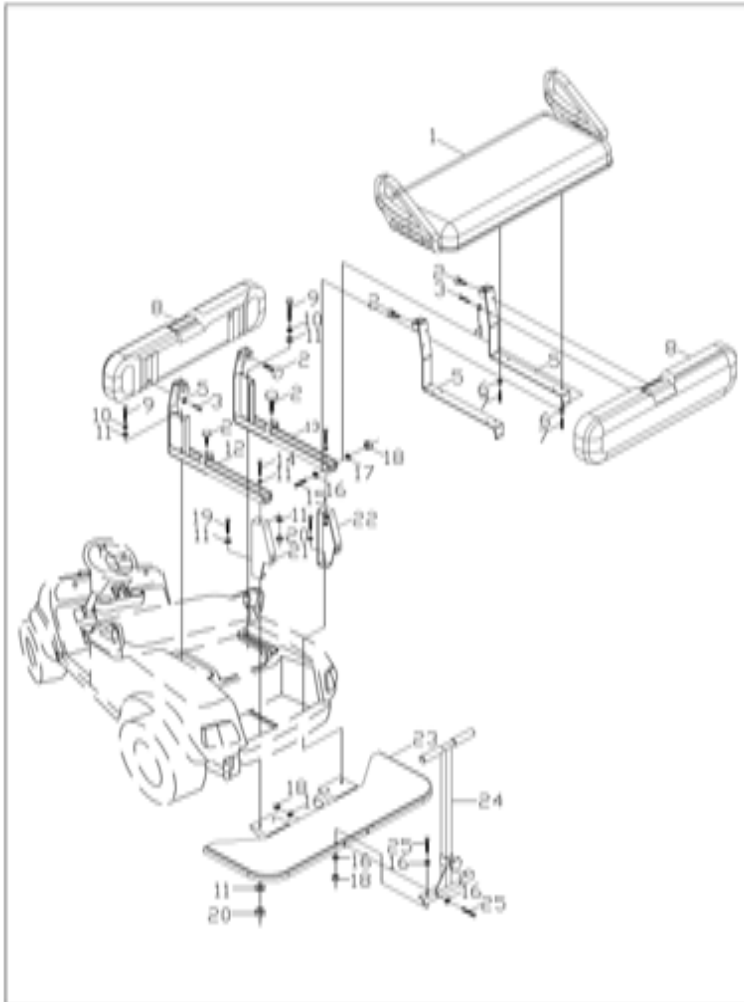
No.	Part No.	Part Name	Qty
1	GB845-85	Screw ST3.5×13	4
2	HEL2-3730700	Forward / Reverse Switch	1
3	HEL2-3730510	Buzzer Switch	1
4	HEL2-3760310	State of Charge Meter	1
5	HEL2-3760470	Cigarette Lighter	1
6	HEL2-3760450	Headlight Switch	1
7	HEL2-3710140	Instrument Panel Plate	1
8	HEL2-3730800	Double Speed Switch	1
9	HEL2-5300202	Cup Holder	2
10	HEL2-5300201	Storage Box Door	2
11	HEL2-5300210	Storage Box Lock	2
12	HEL2-5300211	Clamping Card	2

Seat (I)



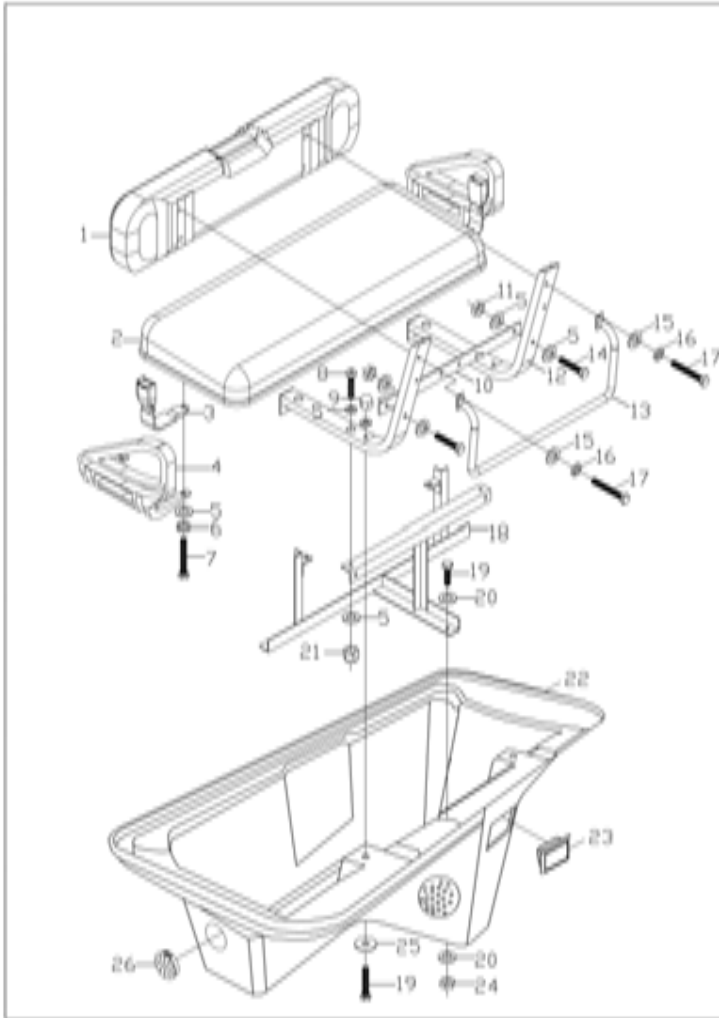
No.	Part No.	Part Name	Qty
1	HEL2-6800000	Seat Backrest Assembly	1
2	HEL2-7100104	Vinyl Seat Bottom Cover	1
3	HEL2-7100106	Tee Nut	8
4	HEL2-7100200	Buckle	2
5	HEL2-7100001(3)	Left Arm Rest	1
6	GB5783-86	Bolt M8×25	8
7	HEL2-7100105	Foam	1
8	HEL2-7100101	Plywood Base	1
9	HEL2-7100103	Seat Hinge	2
10	HEL2-7100001(2)	Right Arm Rest	1
11	GB95-85	Washer 10	4
12	GB5783-86	Bolt M10×25	4

Seat System (II)



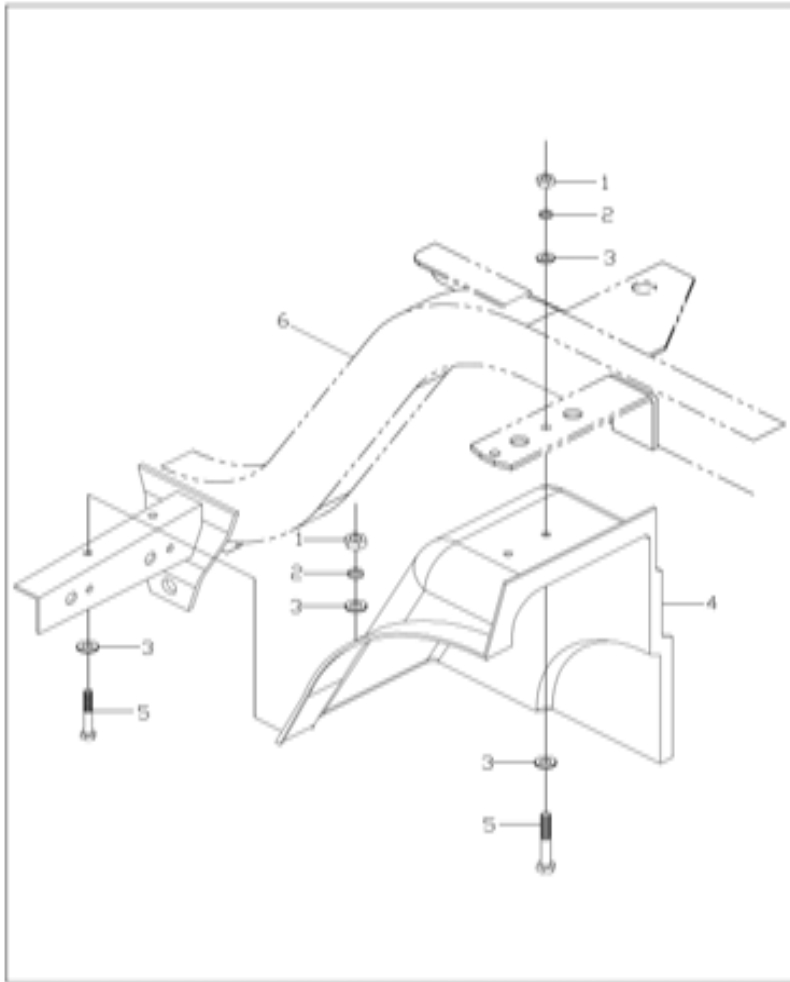
No.	Part No.	Part Name	Qty
1	HEL6-7100000	Seat Bottom Assy.	1
2	HEG6-6800401	Rubber k Absorber	6
3	GB5781-86	Bolt M6×50	8
4	GB95-85	Washer 6	8
5	HEG6-6800430	Backrest Bracket	2
6	GB95-85	Washer8	8
7	GB5781-86	Bolt M8×25	8
8	HEL2-6800000	Seat Back Assy.	2
9	GB9581-86	Bolt M10×35	4
10	GB93-87	Spring Washer10	4
11	GB95-85	Washer10	16
12	HEG6-6800410	Right Backrest Bracket	1
13	HEG6-6800420	Left Backrest Bracket	1
14	GB9581-86	Bolt M10×25	2
15	GB5781-86	Bolt M8×65	2
16	GB95-85	Washer 8	10
17	GB93-87	Spring Washer8	2
18	GB889-86	Lock NUT M8	6
19	GB5781-86	Bolt M10×40	4
20	GB889-86	Lock Nut M10	4
21	HEG6-7100001(2)	Right Rear Bracket	1
22	HEG6-7100001(3)	Left Rear Bracket	1
23	HEG6-7100200	Foot Plate	1
24	HEG6-7100300	Safety Handrail	1
25	GB5781-86	Bolt M8×60	4

Seat System (III)



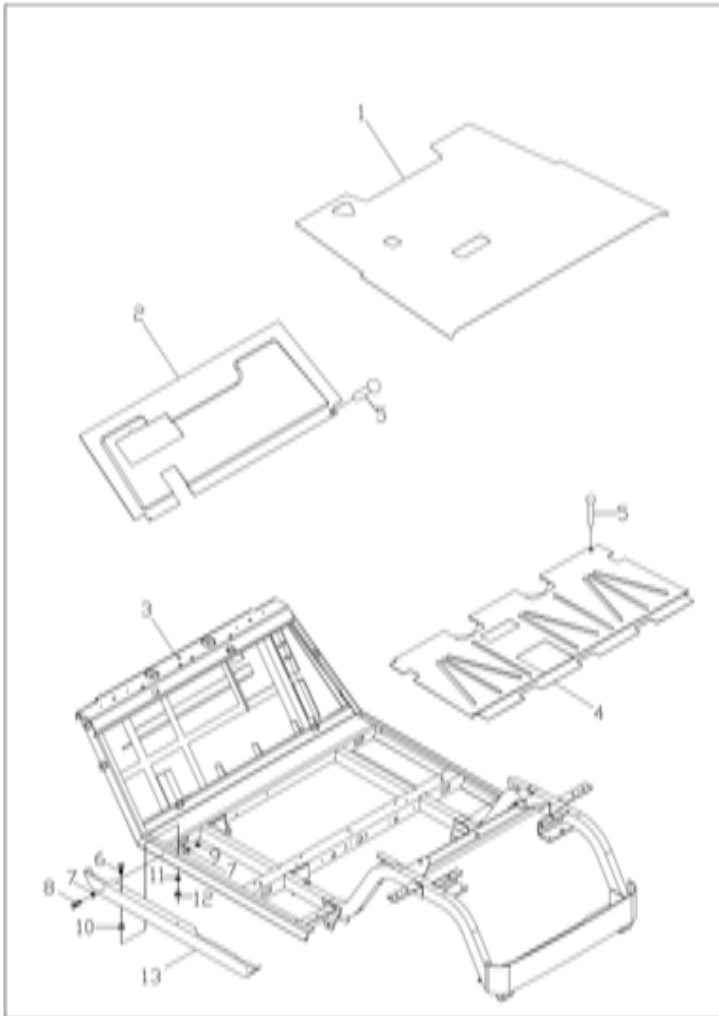
No.	Part No.	Part Name	Qty
1	HEL2-680000	Seat Back Assembly	1
2	HEL2-7100100	Seat Bottom	1
3	HEL2-7100200	Buckle	2
4	HEL2-7100001(3) HEL2-7100001(2)	Armrest	1/1
5	GB95-85	Washer 8	20
6	GB93-87	Spring Washer 8	8
7	GB5781-86	Bolt M8×25	8
8	GB818-85	Screw M8×20	4
9	GB802-88	Crown Nut M10	2
10	HEL2-6800001	Safety Belt Plate	1
11	GB6182-86	Nut M8	2
12	HEL6-6900120	Seat Back Bracket	2
13	HEL6-6900110	Backrest Handrail	1
14	GB5782-86	Bolt M8×50	2
15	GB95-85	Washer 6	2
16	GB93-87	Spring Washer 6	2
17	GB5782-86	Bolt M6×50	2
18	HEL6-0000030	Seat Support	1
19	GB5782-86	Bolt M10×50	5
20	GB95-85	Washer10	8
21	GB889-86	Lock Nut M8	4
22	HEL6-6900001	Seat Pan	1
23	HEL6-6900003	Ashtray	1
24	GB889-86	Lock Nut M10	1
25	Gb96-85	Washer 10	4
26	HEL6-6900002	Ventilated lid	4

Rear Wheel House Panel



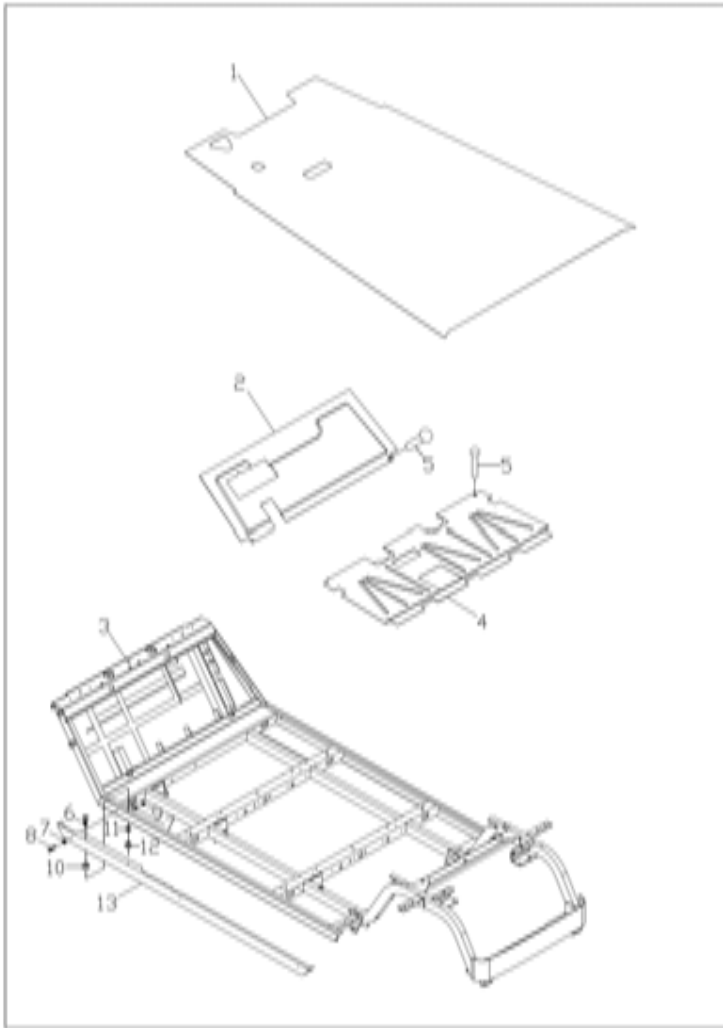
No.	Part No.	Part Name	Qty
1	GB6170-86	NUT M6	4
2	GB93-87	Spring Washer 6	4
3	GB95-85	Washer 6	8
4	HEL2-3102001 HEL2-3102002	Rear Wheel House Panel	1/1
5	GB5781-86	Bolt M6×20	4
6	HEL2A-2820000	Frame	1

Frame (I)



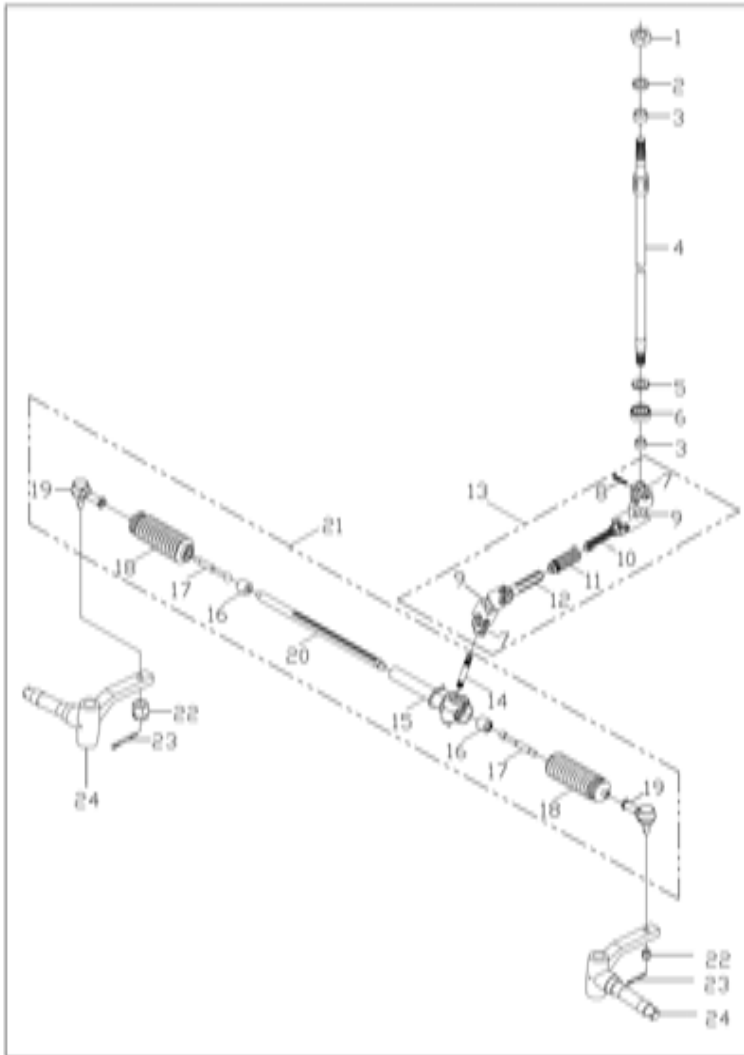
No.	Part No.	Part Name	Qty
1	HEL2-0000006	Floor Carpet	1
2	HEL2A-2800002	Front Floor Pan	1
3	HEL2A-2820000	Frame	1
4	HEL2A-2101001	Center Floor Pan	1
5	GB12618-90	Rivet 5×16	12
6	GB818-85	Stainless Screw M6×30	4
7	GB97.1-85	Stainless Washer 5	8
8	GB818-85	Stainless Screw M5×30	4
9	GB6182-86	Lock Nut M5	4
10	HEL2-0000009	Bushing	4
11	GB97.1-85	Washer 6	8
12	GB6182-86	Lock Nut M6	4
13	HEL2-0000002	Side Trim	2(1/1)

Frame (II)



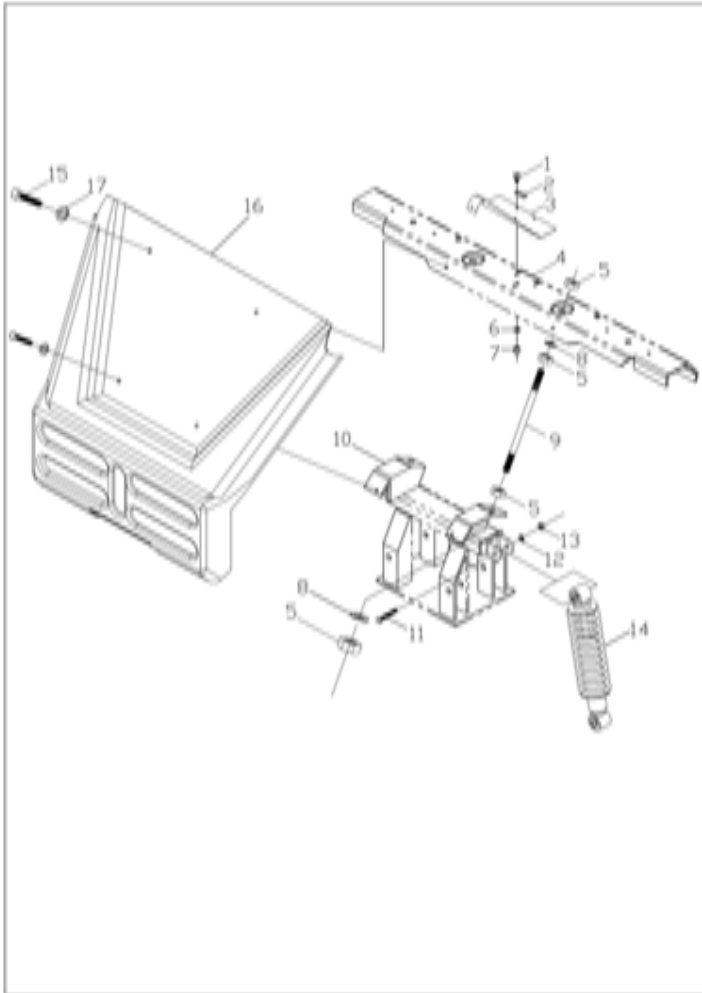
No.	Part No.	Part Name	Qty
1	HEL2-0000006	Floor Carpet	1
2	HEL2A-2800002	Front Floor Pan	1
3	HEL6A-2820000	Frame	1
4	HEL2A-2101001	Center Floor Pan	1
5	GB12618-90	Rivet 5×16	12
6	GB818-85	Stainless Screw M6×30	4
7	GB97.1-85	Stainless Washer 5	8
8	GB818-85	Stainless Screw M5×30	4
9	GB6182-86	Lock Nut M5	4
10	HEL2-0000009	Bushing	4
11	GB97.1-85	Washer 6	8
12	GB889-86	Lock Nut M6	4
13	HEL6-0000002	Side Trim	2(1/1)

Steering Shaft System



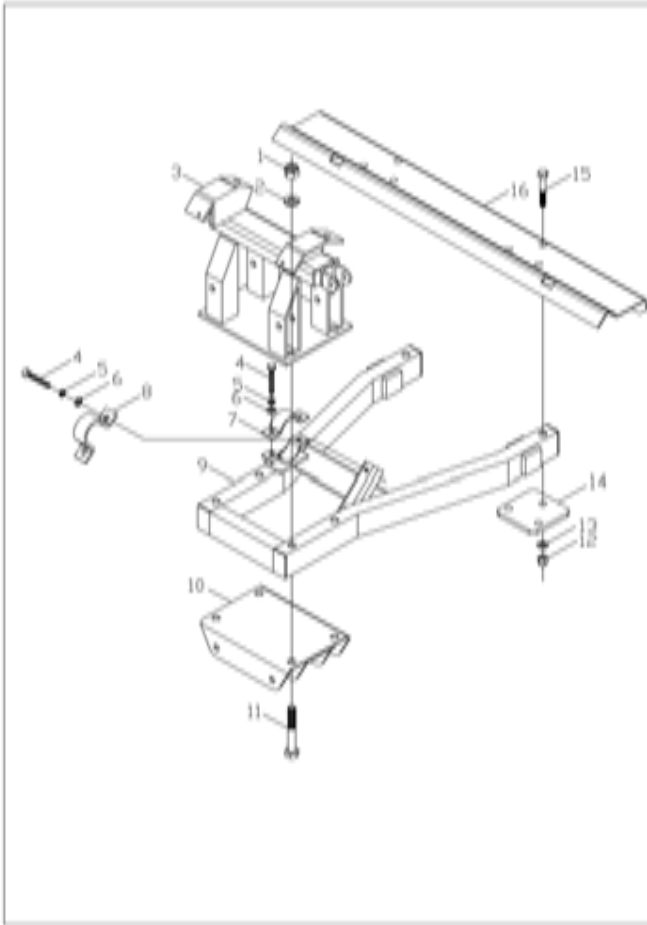
No.	Part No.	Part Name	Qty
1	GB889-86	Lock Nut M16	1
2	GB93-87	Spring Washer 16	1
3	HEL2-3400004	Bush	2
4	HEL2-3400005	Main Shaft	1
5	HEL2-3400006	Retaining Ring	1
6	HEL2-3400007	Bearing	1
7	HEL2-3400301	End Yoke	2
8	GB5781-86	Bolt M8×25	2
9	HEL2-3400302	Cross Spider	2
10	HEL2-3400303	Spline Yoke	1
11	HEL2-3400304	Boot Seal	1
12	HEL2-3400305	Tube Yoke	1
13	HEL2-3400300	Steering universal Joint	1
14	HEL2-3400401	Steering Gear Input Shaft	1
15	HEL2-3400402	Steering Gear Housing	1
16	HEL2-3400403	Inner Tie Rod End	2
17	HEL2-3400404	Tie Rod	2
18	HEL2-3400405	Boot Seal	2
19	HEL2-3400410	Tie Rod End	2
20	HEL2-3400406	Steering Rack	1
21	HEL2-3400400	Steering Gear	1
22	GB9459-88	Slot Nut M12×1.25	2
23	GB91-86	Cotter Pin 2×18	2
24	HEL2-2320008	Right Spindle	1
25	HEL2-2320007	Left Spindle	1

Front Independent Suspension I



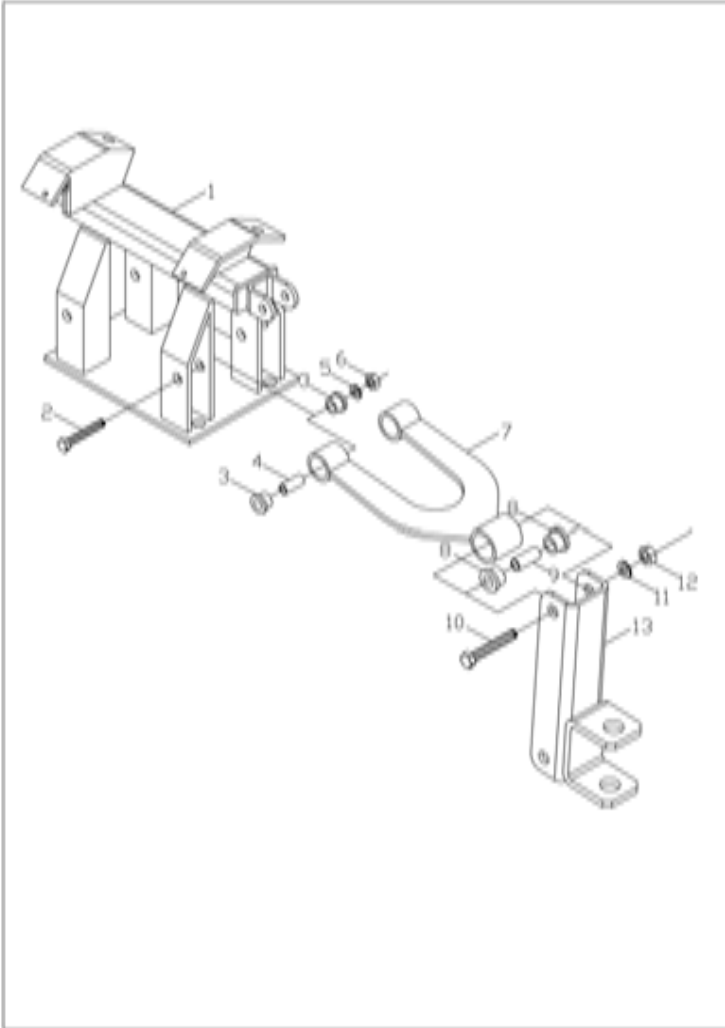
No.	Part No.	Part Name	Qty
1	GB818-85	Screw M6×20	3
2	HEL2-0000018	Flasher Base	1
3	HEL2-0000012	Cowl Bracket	1
4	HEL2A-2820000	Frame	1
5	GB6170-86	Nut M12	8
6	GB95-85	Washer 6	1
7	GB889-86	Nut M6	1
8	GB95-85	Washer 12	4
9	HEL2A-2901005	Strut	2
10	HEL2A-2901040	Upper Arm Base	1
11	GB578-86	Hex Bolt M6×60	2
12	GB97.1-86	Washer 10	2
13	GB889-86	Nut M10	2
14	HEL2A-2905000	Shock Absorber	2
15	GB5781-86	Bolt M6×20	4
16	HEL2-0000001	Front Shield	1
17	GB95-85	Washer 6	4

Front Independent Suspension II



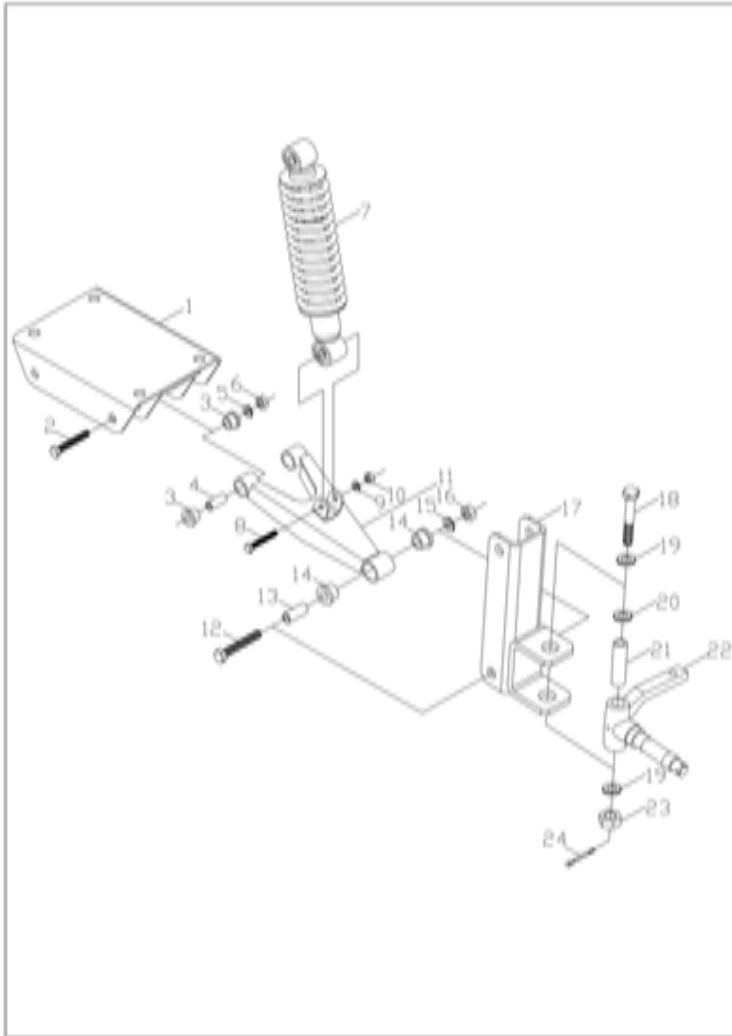
No.	Part No.	Part Name	Qty
1	GB889-86	Lock Nut M14	4
2	GB97.1-86	Washer 14	4
3	HEL2A-2901040	Upper Arm Base	1
4	GB5781-86	Bolt M8×25	4
5	GB93-87	Spring Washer 8	4
6	GB95-85	Washer 8	4
7	HEL2A-3403002	Steering Gear Clamp	1
8	HEL2A-3403003	Steering Gear Clamp I	1
9	HEL2A-2901030	Second Frame	1
10	HEL2A-2901020	Lower Arm Base	1
11	GB5782-86	Bolt M14×80	4
12	GB889-86	Lock Nut m12	6
13	GB97.1-86	Washer 12	6
14	HEL2-2822004	Plate	2
15	GB5782-86	Bolt m12×90	6
16	HEL2A-2820000	Frame	1

Front Independent Suspension III



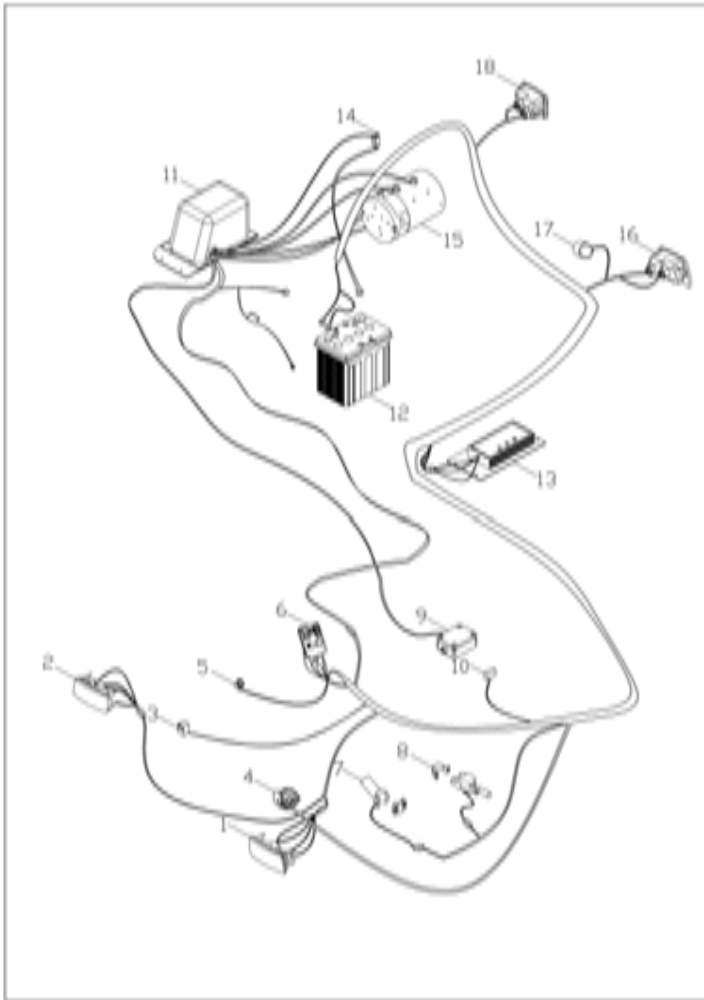
No.	Part No.	Part Name	Qty
1	HEL2A-2901040	Upper Arm Base	1
2	GB5782-86	Bolt M12×65	4
3	HEL2A-2901001	Rubber Bushing	8
4	HEL2A-2901002	Bushing	4
5	GB97.1-86	Washer 12	4
6	GB889-86	Lock Nut M12	4
7	HEL2A-2901050	Upper Arm	2
8	HEL2A-2901003	Rubber Bushing	4
9	HEL2A-2901004	Bushing	2
10	GB5782-86	Bolt M14×80	2
11	GB97.1-86	Washer 14	2
12	GB889-86	Lock Nut M14	2
13	HEL2A-2901060	Strut	2

Front Independent Suspension IV



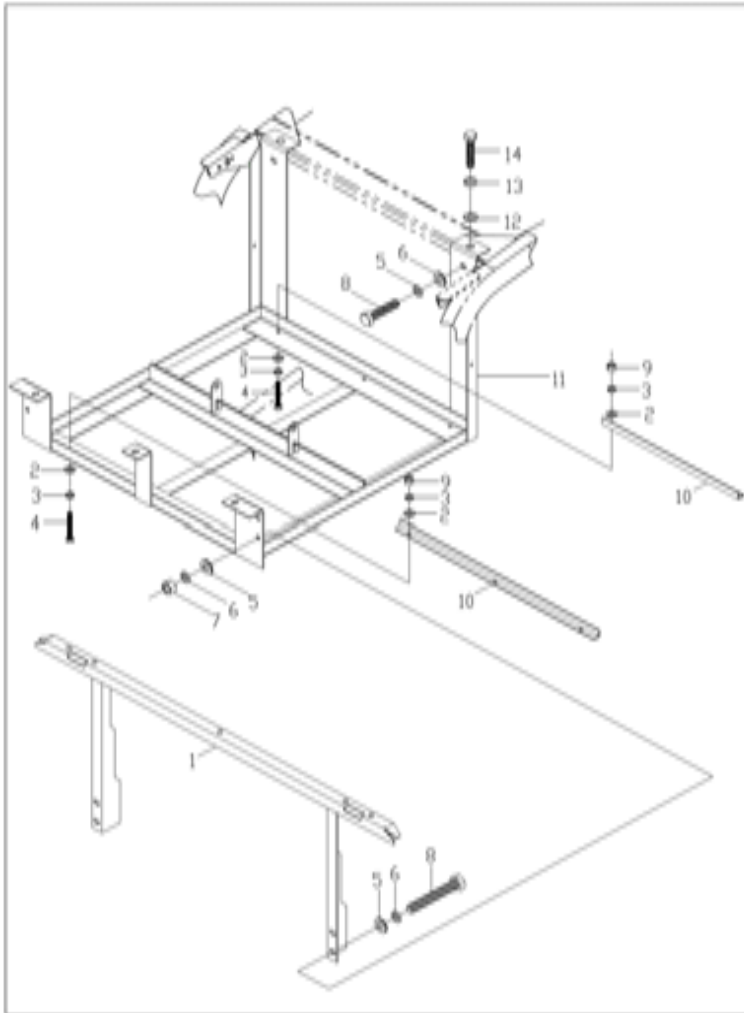
No.	Part No.	Part Name	Qty
1	HEL2A-2901020	Lower Arm Base	1
2	GB/T5782-86	Bolt M12×65	4
3	HEL2A-2901001	Rubber Bushing	8
4	HEL2A-2901002	Bushing	4
5	GB/T97.1-86	Washer 12	4
6	GB/T889-86	Lock Nut M12	4
7	HEL2A-2901050	Upper Arm	2
8	GB/T5782-86	Bolt M10×60	2
9	GB/T97.1-86	Washer 10	2
10	GB/T889-86	Lock Nut M10	2
11	HEL2A-2901010	Lower Arm	1
12	GB/T5782-86	Bolt M14×80	2
13	HEL2A-2901004	Bushing	2
14	HEL2A-2901003	Rubber Bushing	4
15	GB/T97.1-86	Washer 14	2
16	GB/T889-86	Lock Nut M14	2
17	HEL2A-2901060	Strut	2

Electric System Assembly



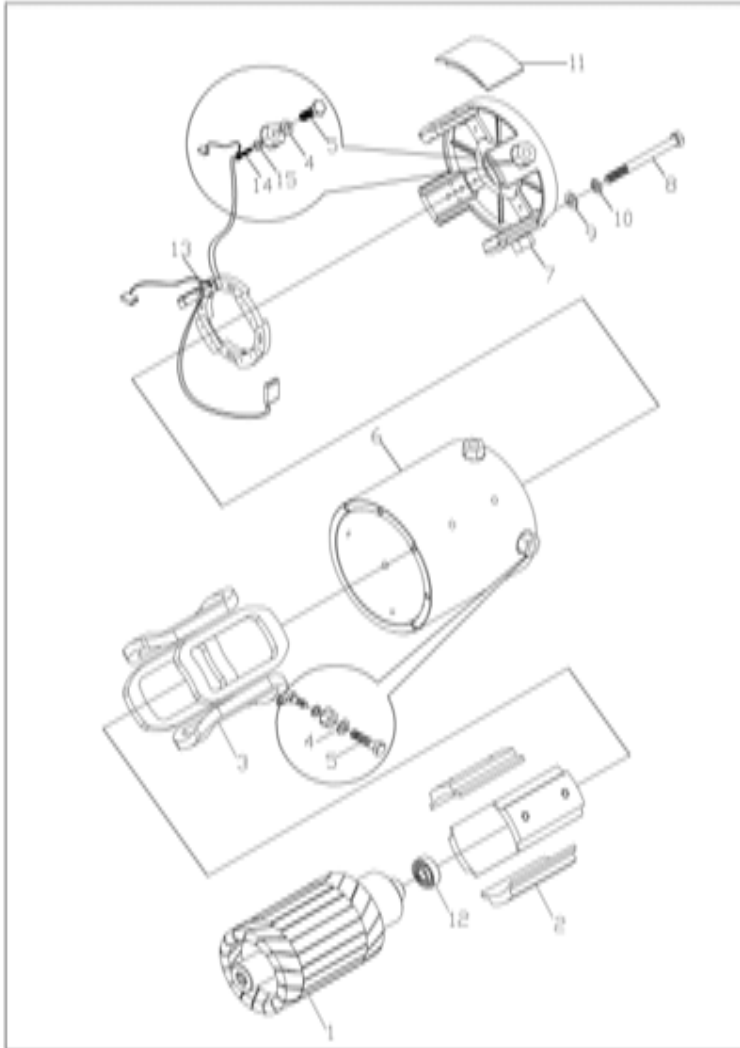
No.	Part No.	Part Name	Qty
1	HEL2-3755100	Left Headlight Assy.	1
2	HEL2-3755200	Right Headlight Assy.	1
3	HEL2-3760460	Flasher	1
4	HEL2-3760210	Horn	1
5	HEL2-3730800	Double Speed Switch	1
6	HEL2-3770140	Instrument Panel	1
7	HEL2-3440000	Ignition Switch	1
8	HEL2-3440010	Turn Switch	1
9	HEL2-3750130	Accelerator Box Assy.	1
10	HEL2-3730600	Micro Switch	1
11	HEL2-3780100	Controller Assy.	1
12	HEL2-3720100	Battery	1
13	HEL2-3760350	Converter	1
14	HEL2-3760420	Safety Device	1
15	HEL2-3711000	Motor	1
16	HEL2-3760100	Left Tail Light Assy.	1
17	HEL2-3760220	Reverse Buzzer	1
18	HEL2-3760200	Right Tail Light Assy.	1

Battery Frame



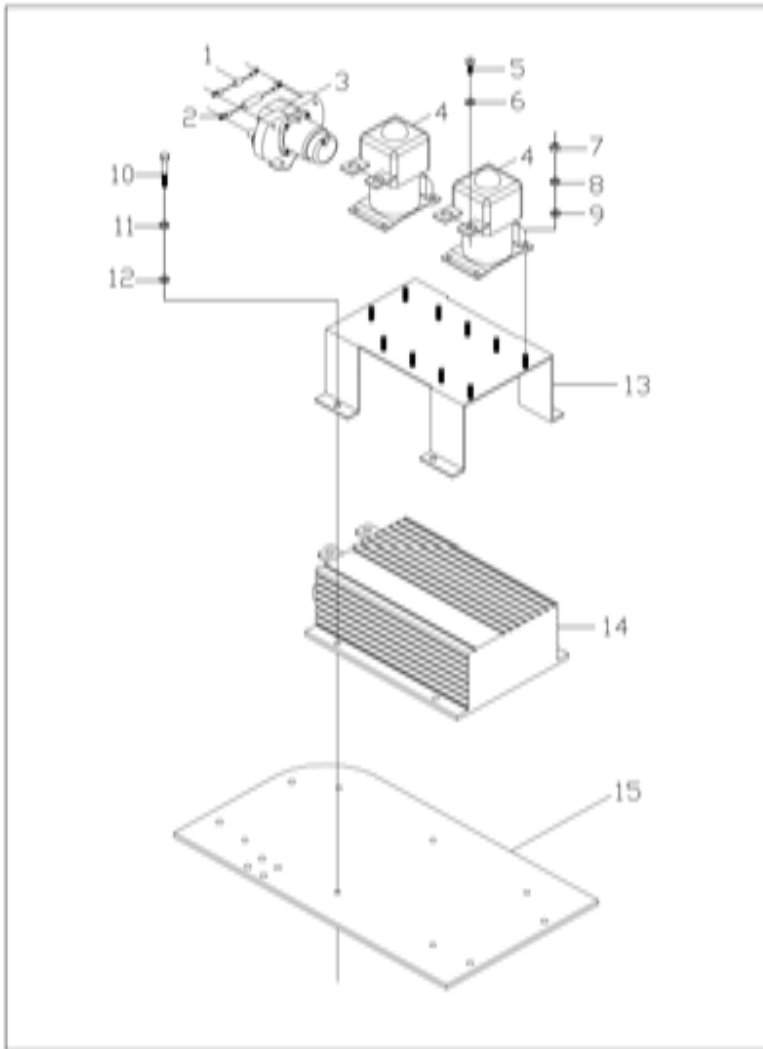
No.	Part No.	Part Name	Qty
1	HEL2-0000020	Seat Frame	1
2	GB95-85	Washer 6	12
3	GB93-87	Spring Washer 6	12
4	GB5781-86	Bolt M6×25	6
5	GB95-85	Washer 8	8
6	GB93-87	Spring Washer 8	8
7	GB6170-86	Nut M8	2
8	GB5783-86	Bolt M8×25	6
9	GB6170-86	Nut M6	6
10	HEL2-2811006	Limited Plate	2
11	HEL2-2811000	Battery Frame	1
12	GB95-85	Washer 10	2
13	GB93-87	Spring Washer 10	2
14	GB5781-86	Bolt M10×35	2

Motor



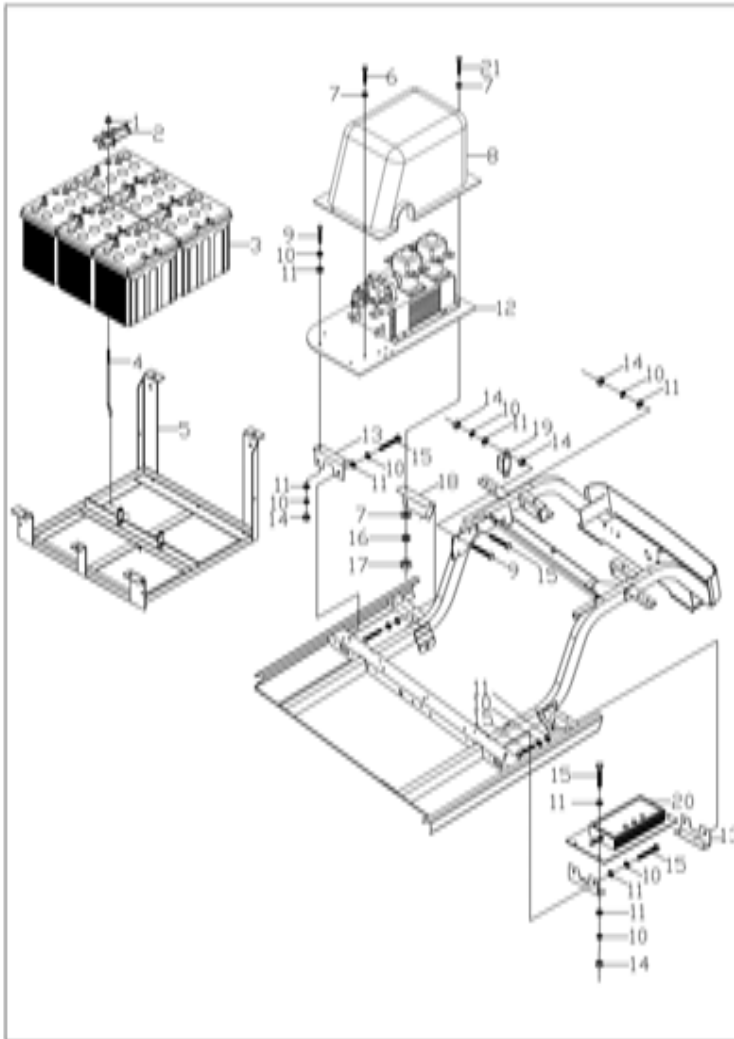
No.	Part No.	Part Name	Qty
	HEL2-3711000	Motor (4kw)	1
1	HEL2-3711100	Armature	1
2	HEL2-3711006	Field Core	4
3	HEL2-3711200	Field Coil Kit	4
4	GB5781-86	Copper Bolt M8x20	4
5	GB95-85	Copper Washer 8	4
6	HEL2-3711007	Motor Housing	1
7	HEL2-3711005	End Cover	1
8	GB5782-86	Bolt M8x100	2
9	GB95-85	Washer 8	2
10	GB93-87	Spring Washer 8	2
11	HEL2-3711008	Radiator Cover	4
12	HEL2-3711004	Bearing	1
13	HEL2-3711002	Brush Holder	1
14	GB5781-86	Copper Bolt M4x12	4
15	GB95-85	Copper Washer 4	4

Controller



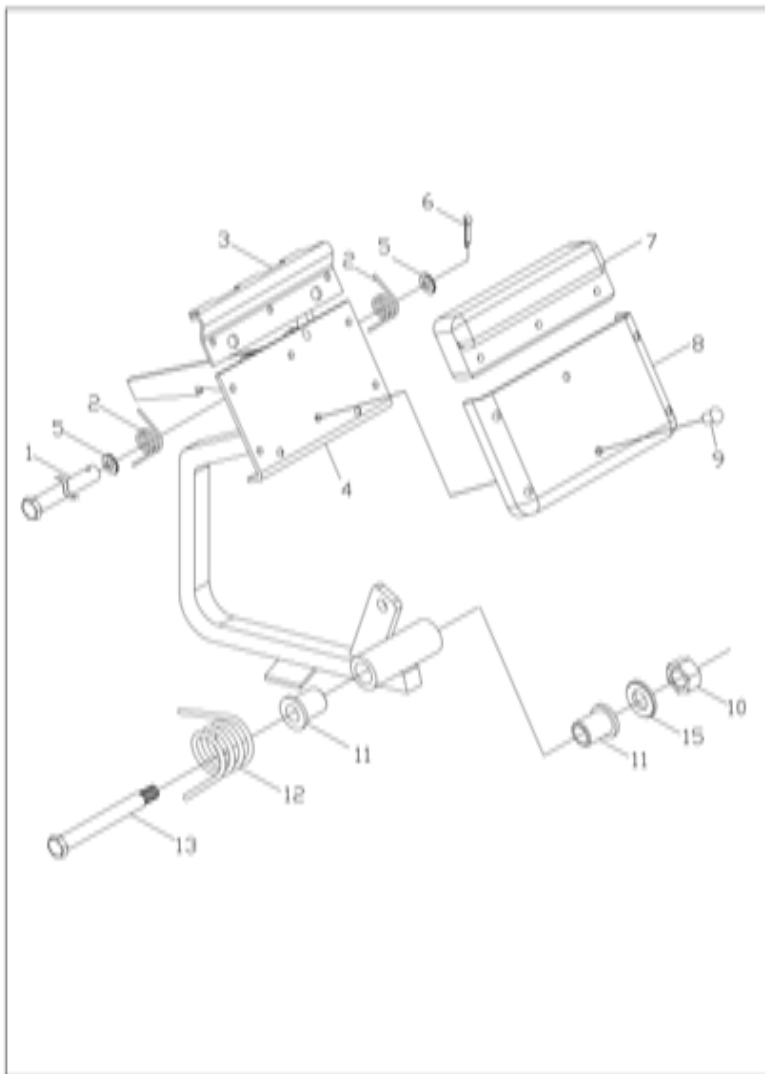
Part No.	Part Name	Qty
HEG2-3745000	Controller Assy.	1
HEL2-3760410	Diode	1
HEL2-3760430	Resistor	2
HEL2-3760320	Main Solenoid	1
HEL2-3760330/40	Solenoid	1/1
GB818-85	Screw M8×25	2
GB97.1-85	Washer 8	2
GB41-86	Nut M5	6
GB93-87	Spring Washer 5	6
GB95-85	Washer 5	6
GB5783-86	Bolt M6×20	4
GB93-87	Spring Washer 6	4
GB95-85	Washer 6	4
HEL2-3770120	Solenoid Bracket	1
HEG2-3745100	Controller (650AMP)	1
HEL2-3745001	Heat Sink	1

Battery and Converter



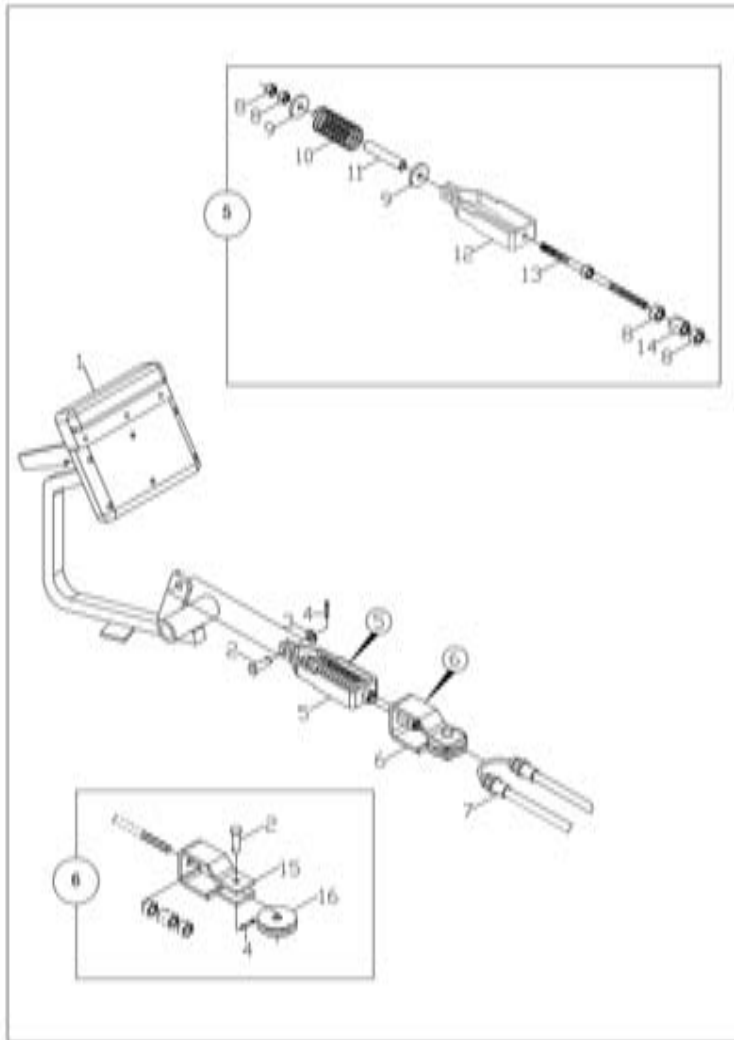
No.	Part No.	Part Name	Qty
1	GB6182-86	Lock Nut M10	2
2	HEL2-3720001	Battery Retainer	2
3	HEL2-3720100	Battery	6
4	HEL2-3720002	Hold Bolt	2
5	HEL2-2811000	Battery Frame	1
6	GB5783-85	Bolt M6×16	2
7	GB93-87	Spring Washer 6	4
8	HEL2-3770160	Controller Cover	1
9	GB818-85	Screw M8×16	2
10	GB93-87	Spring Washer 8	16
11	GB95-85	Washer 8	24
12	HEG2-3780100	Controller Assy.	1
13	HEL2-3745001	Mount Bracket A	3
14	GB41-86	Nut M8	12
15	GB7583-86	Bolt M8×25	14
16	GB93-87	Spring Washer 6	4
17	GB41-86	Nut M6	4
18	HEL2-3745002	Mount Bracket B	1
19	HEL2-3760420	Safety Device	1
20	HEG2-3760350	Converter	1
21	GB818-85	Bolt M6×25	2

Brake Panel System I



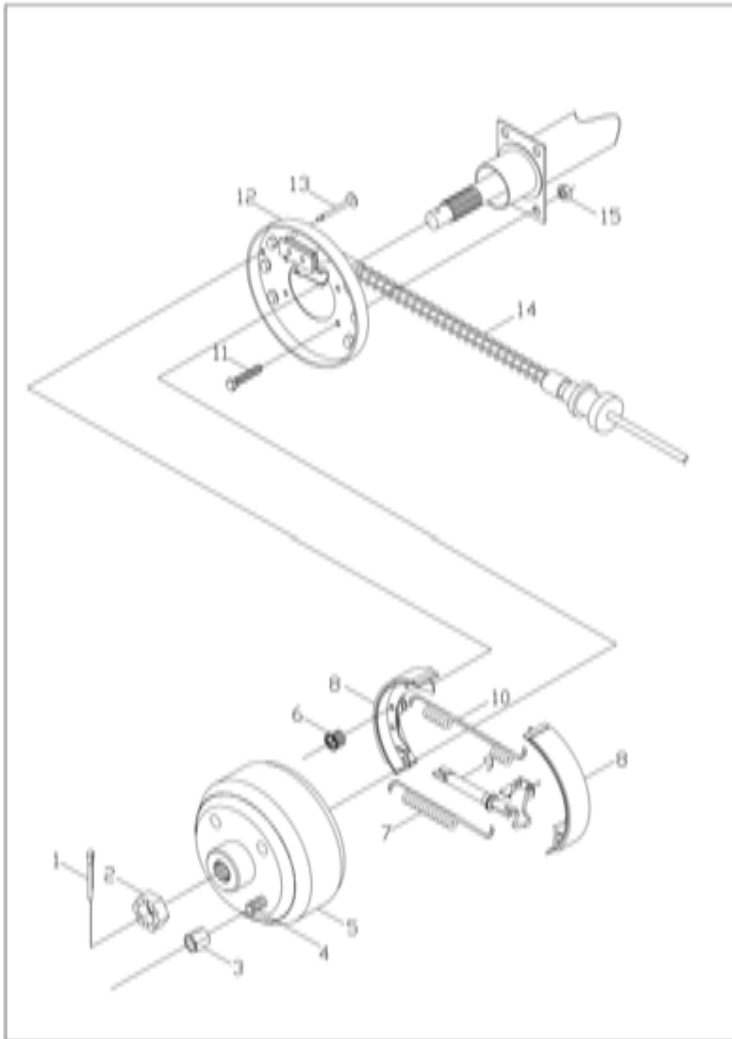
No.	Part No.	Part Name	Qty
1	HEL2-3500207	Pivot Pin	1
2	HEL2-3500206	Torsion Spring	2
3	HEL2-3500221	Park Pedal	1
4	HEL2-3500212	Brake Pedal	1
5	GB95-85	Washer 8	2
6	GB91-86	Cotter Pin 2×16	1
7	HEL2-3500202	Brake Pad	1
8	3500201	Park Pad	1
9	GB12618-90	Rivet 5×14	9
10	GB6182-86	Lock Nut M10	1
11	HEL2-2500002	Flange Bushing	2
12	HEL2-3500003	Torsion Spring	1
13	HEL2-3500001	Bolt	1

Brake System II



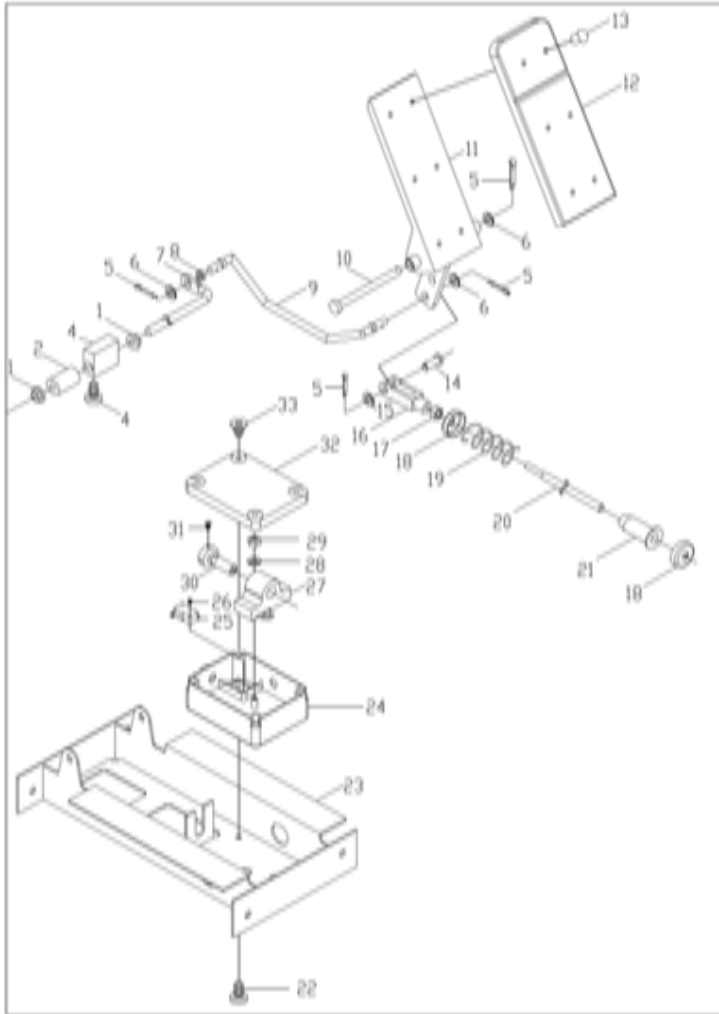
No.	Part No.	Part Name	Qty
1	HEL2-3500200	Brake Pedal Assy.	1
2	GB882-86	Pivot Pin 8×26	2
3	GB95-85	Washer 8	2
4	GB91-86	Cotter Pin 2.5×20	2
5	HEL2-3500510	Strut Assy.	1
6	HEL2-3500520	Block and Tackle Assy.	1
7	HEL2-3500310	Brake Cable	1
8	GB-6170-00	Nut M10	1
9	HEL2-3500102	Washer	2
10	HEL2-3500208	Compression Spring	1
11	HEL2-3500104	Compensator Stop Tube	1
12	HEL2-3500001	Yoke	1
13	HEL2-3500511	Linkage Rod	1
14	HEL2-3500005	Nut	1
15	HEL2-3500521	Block and Tackle Bracket	1
16	HEL2-3500522	Block and Tackle	1

Rear Hub and Brake System



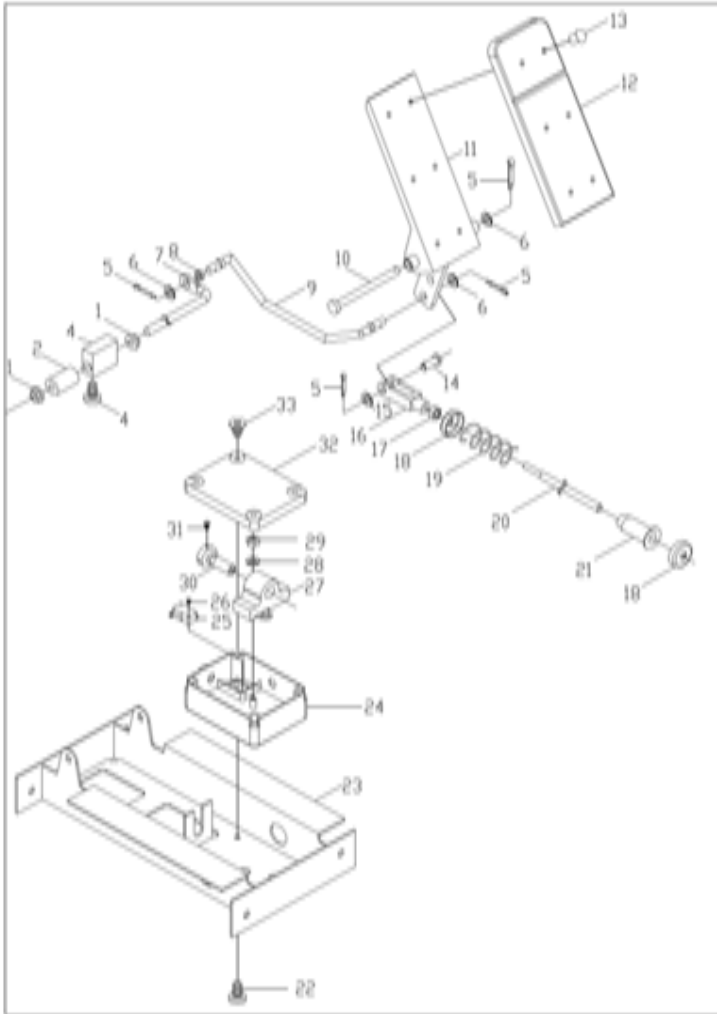
No.	Part No.	Part Name	Qty
1	GB91-86	Cotter Pin 5×30	2
2	HEL2-3300005	Slotted Nut	2
3	HEL2-3510002	Lug Nut M12×1.25	8
4	HEL2-3510001	Lug Bolt	8
5	HEL2-3510000	Brake Drum	2
		Brake Assy.	
6	HEL2-3520004	Cap and Spring	2
7	HEL2-3520002	Adjusting Screw Spring	2
8	HEL2-3520100	Brake Shoe Kit	2
9	HEL2-3520009	Adjuster	2
10	HEL2-3520001	Return Spring	2
11	GB5783-86	Bolt M8×20	8
12	HEL2-3520000	Bottom Plate	1
13	HEL2-3520003	Hold-down Pin	4
14	HEL2-3500310	Brake Cable	1
15	GB6182-86	Lock Nut M8	8

Accelerator



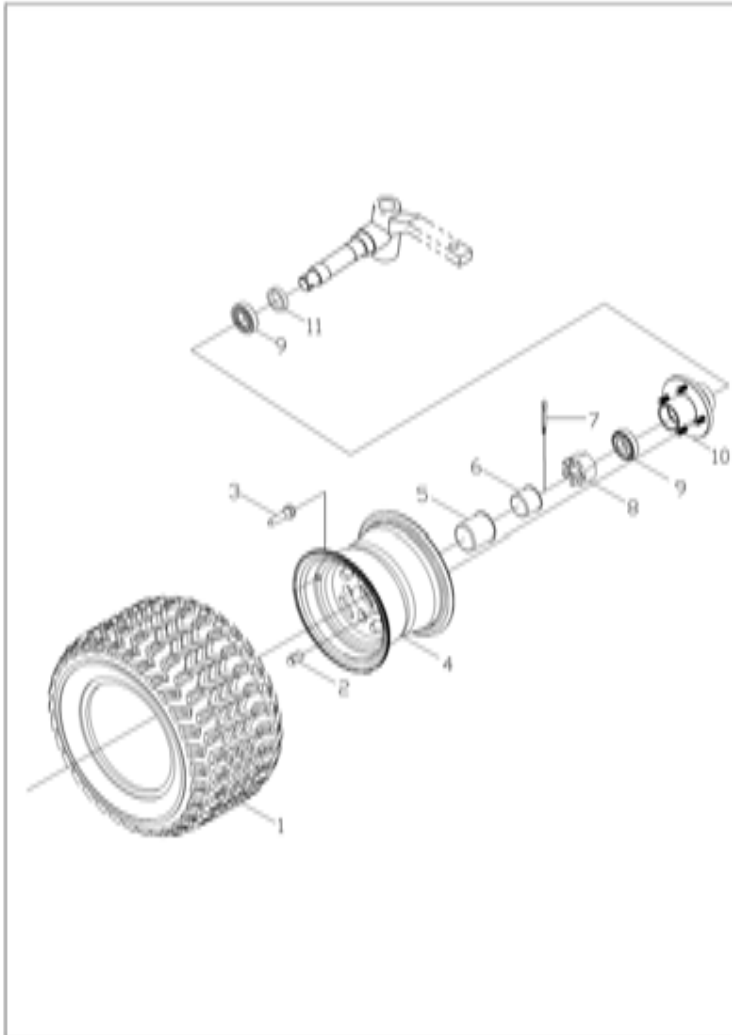
No.	Part No.	Part Name	Qty
1	HEL2-2001004	Copper Bushing	2
2	HEL2-2001006	Rubber Tube	1
3	GB84-89	Screw M6×12	2
4	HEL2-2001005	Kick-off Cam	1
5	GB91-86	Cotter Pin 2.5×22	4
6	GB95-85	Washer 8	3
7	HEL2-2100060	Kick-off Cam Pivot	1
8	HEL2-2001002	Nylon Bushing	2
9	HEL2-2100050	Kick off link	1
10	HEL2-2001014	Hold-down Pin	1
11	HEL2-2100100	Accelerator Panel Assy.	1
12	HEL2-2001013	Panel Pad	1
13	GB1014-86	Rivet 5×14	6
14	GB882-86	Pivot Pin 8×24	1
15	GB95-85	Washer 8	1
16	HEL2-2001007	Clevis Yoke (Adjustable)	1
17	GB41-86	Nut M8	1
18	HEL2-2001008	Spring Retainer	2
19	GB2089-94	Compression Spring	1
20	HEL2-2001011	Accelerator Rod	1

Accelerator



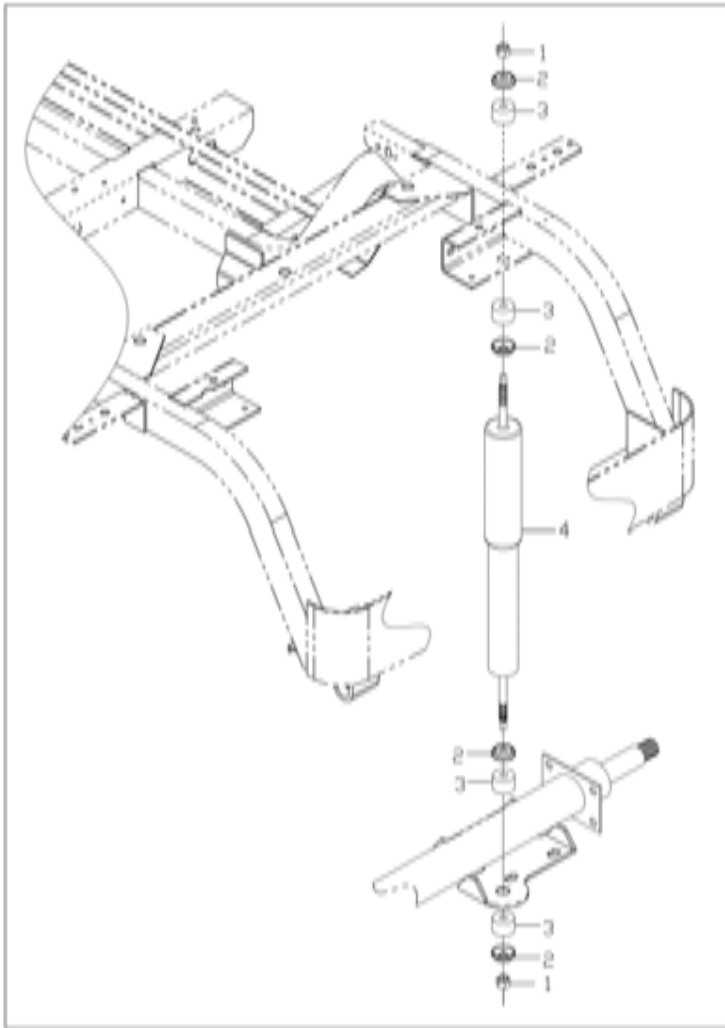
21	HEL2-2001009	Accelerator Rod Bushing	1
22	GB845-85	Screw ST6.3×16	4
23	HEL2-2001012	Accelerator Pedal Bracket	1
24	HEL2-3750131	Accelerator Box	1
25	HEL2-3750110	Micro Switch	1
26	GB845-85	Screw ST3.5×20	2
27	HEL2-3750120	Inductive Throttle Sensor	1
28	GB95-85	Washer 6	2
29	GB6710-86	Nut M6	2
30	HEL2-3750150	Inductive Plunger	1
31	GB73-85	Screw M4×8	1
32	HEL2-3750132	Accelerator box cover	1
33	GB819-85	Screw M3×18	4

Front Tire



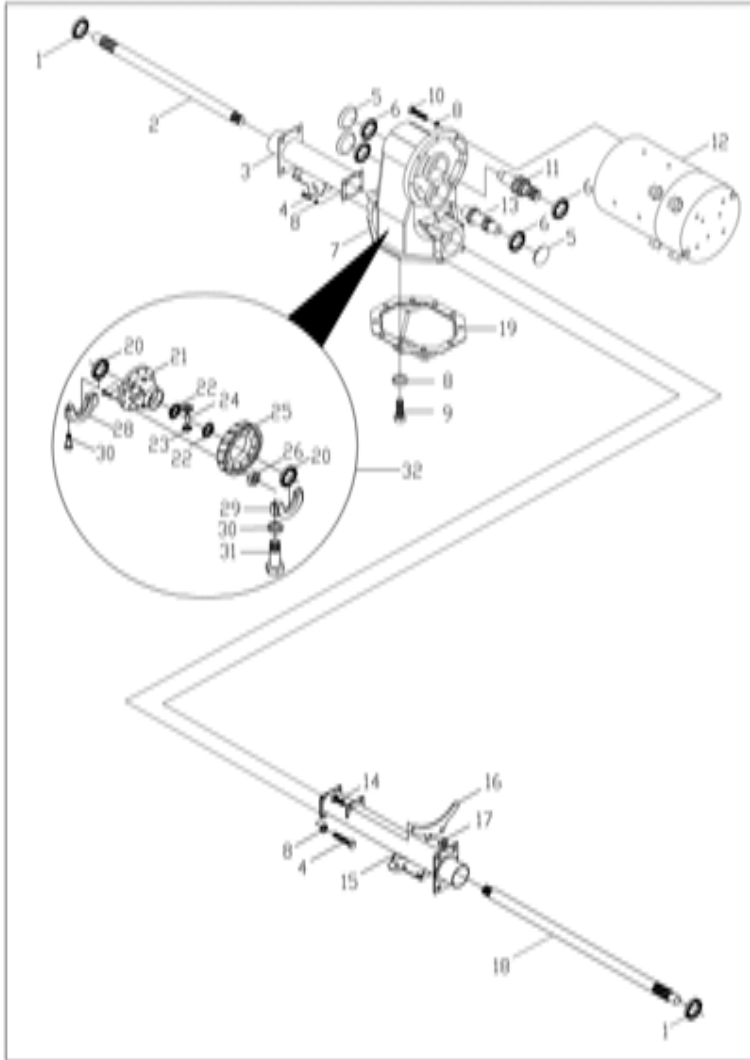
No.	Part No.	Part Name	Qty
1	HEL2-3100300	Tire	4
2	HEL2-2320103	Lug Nut	16
3	HEL2-3100210	Tire Valve	4
4	HEL2-3100200	Wheel Rim	4
5	HEL2-3100001	Rim Center Cap	4
6	HEL2-3300004	Spindle cap	2
7	GB91-86	Cotter Pin 5×30	2
8	HEL2-2320005	Slot Nut	2
9	GB297-94	Bearing 30205	4
10	HEL2-2320100	Front wheel hub assy.	2
11	HEL2-2320006	Dust seal	2

Rear Shock Assembly



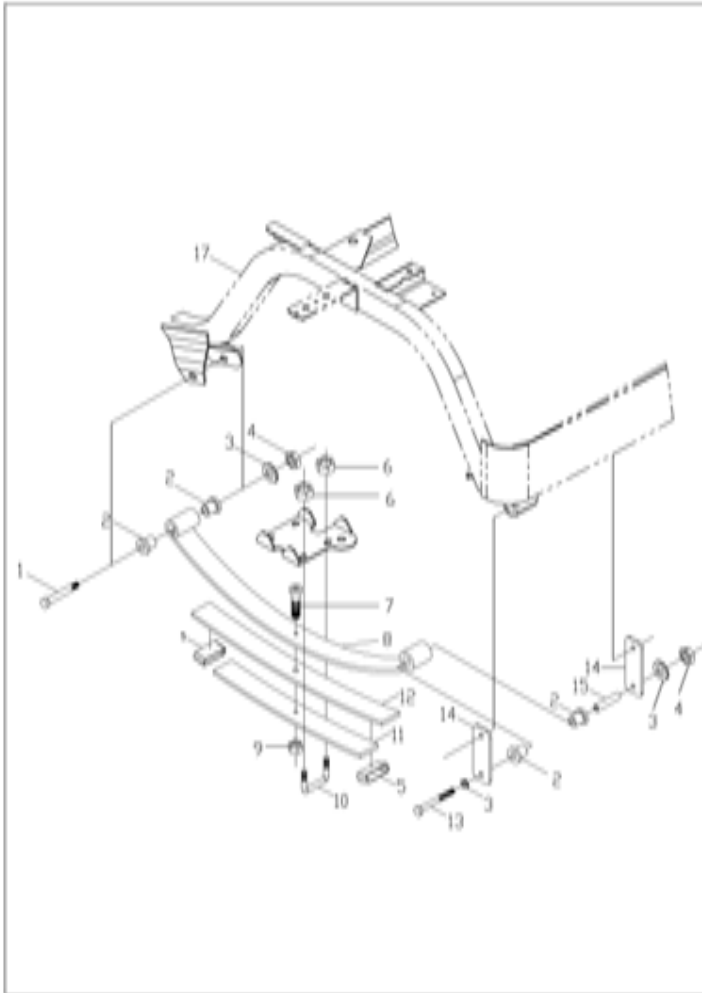
No.	Part No.	Part Name	Qty
		Rear Shock Assembly	2
1	GB6182-86	Lock Nut M10	4
2	HEL2-2920001	Washer	8
3	HEL2-2920002	Shock Absorber washer	8
4	HEL2-2920000	Shock absorber	2

Rear Drive Axle



No.	Part No.	Part Name	Qty
	HEL2-3300000	Rear Drive Axle	1
1	HEL2-3300001	Half-shaft Bearing	2
2	HEL2-3300002	Left Half-shaft	1
3	HEL2-3300100	Left Tube	1
4	GB5781-86	Bolt M8×20	8
5	HEL2-3300003	Cap	3
6	HEL2-3300004	Final Drive Bearing	4
7	HEL2-3300005	Axle Housing	1
8	GB93-87	Spring Washer 8	23
9	GB5781-86	Bolt M8×16	10
10	GB5783-86	Bolt M8×30	5
11	HEL2-3300006	Primary Shaft	1
12	HEL2-3711000	Motor	1
13	HEL2-3300007	Second Shaft	1
14	GB5781-86	Bolt M10×30	2
15	HEL2-3300200	Right Tube	1
16	HEL2-3300008	Bracket	1

Rear Leaf Spring



No.	Part No.	Part Name	Qty
1	HEL2-2900006	Bolt I	1
2	HEL2-2900002	Shocker washer	6
3	GB95-85	Washer 10	5
4	GB889-86	Lock Nut M10	3
5	HEL2-2910004A	Spring clamp	2
6	GB6170-86	Nut M10	4
7	HEL2-2910005A	Center bolt	1
8	HEL2A-2910011	Main spring	1
9	GB6170-86	Nut M8	1
10	HEG2-2900001	U-bolt	2
11	HEL2A-2910013	Third spring	1
12	HEL2A-2910012	Second spring	1
13	HEL2-2900008	Bolt II	1
14	HEL2-2900002	Connector plate	2
15	HEL2-2900003	Spring bushing	4
16		Rear Leaf Spring	2