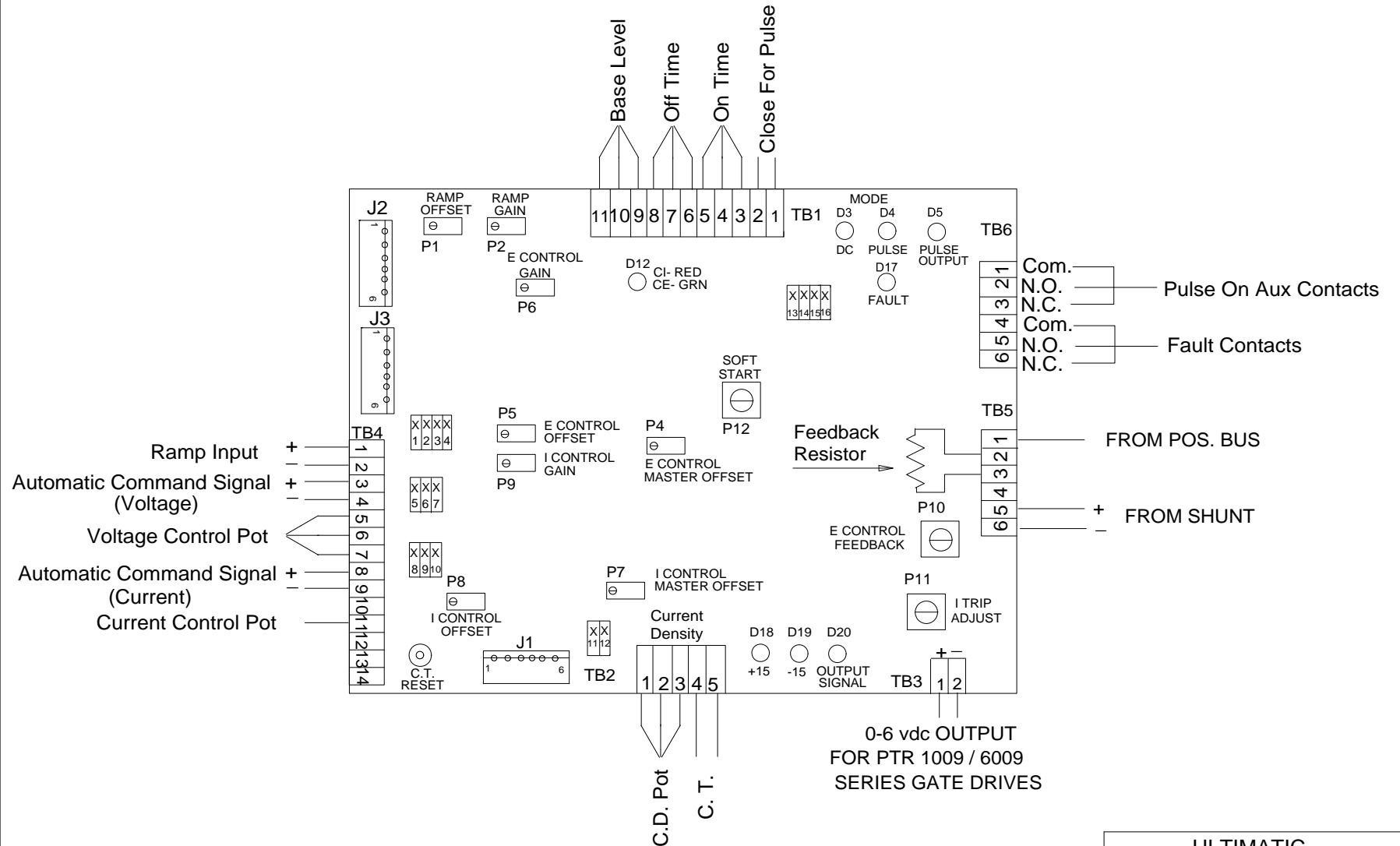


REVISIONS			
SYM.	DESCRIPTION	DATE	APPR.



ULTIMATIC			
RECTIFIER POWER SUPPLY BY: ALDONEX			
SCALE	NONE	APPROVED BY:	DRAWN BY: JM/SO
DATE	3-19-14		
Model		Serial	
BELLWOOD, ILL.	U.S.A.	DRAWING #	PCM3000 REV.4