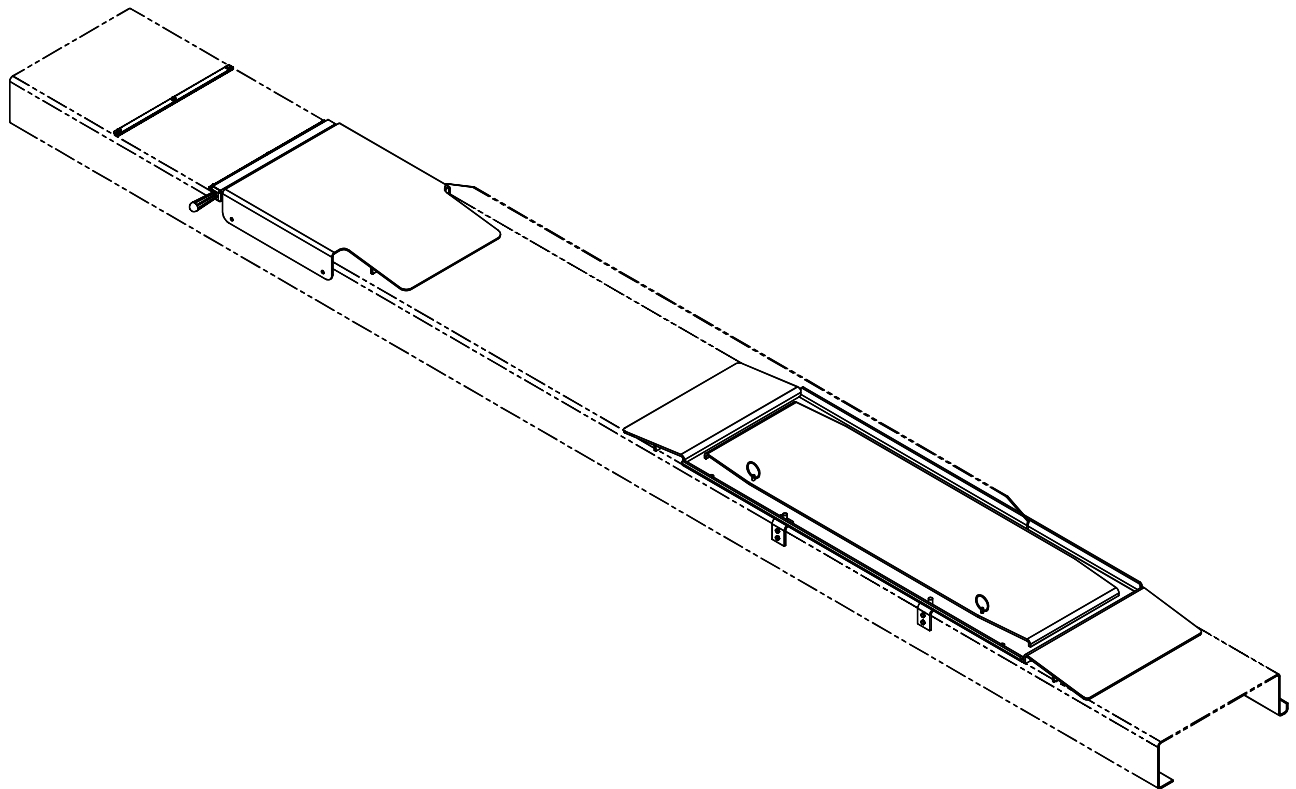


INSTALLATION & OPERATION MANUAL SUPPLEMENT

Bolt-On Alignment Kit
(P/N 40200-3D)
with 3-D Alignment Roll-Back
FOR MODEL 40000 4-POST LIFT



200 Cabel Street, P.O. Box 3944 Louisville, Kentucky 40201-3944
Email: sales@challengerlifts.com Web site: www.challengerlifts.com

Office 800-648-5438 / 502-625-0700 Fax 502-587-1933

**IMPORTANT: READ THIS MANUAL COMPLETELY BEFORE
INSTALLING or OPERATING LIFT**

GENERAL SPECIFICATIONS AND LAYOUT

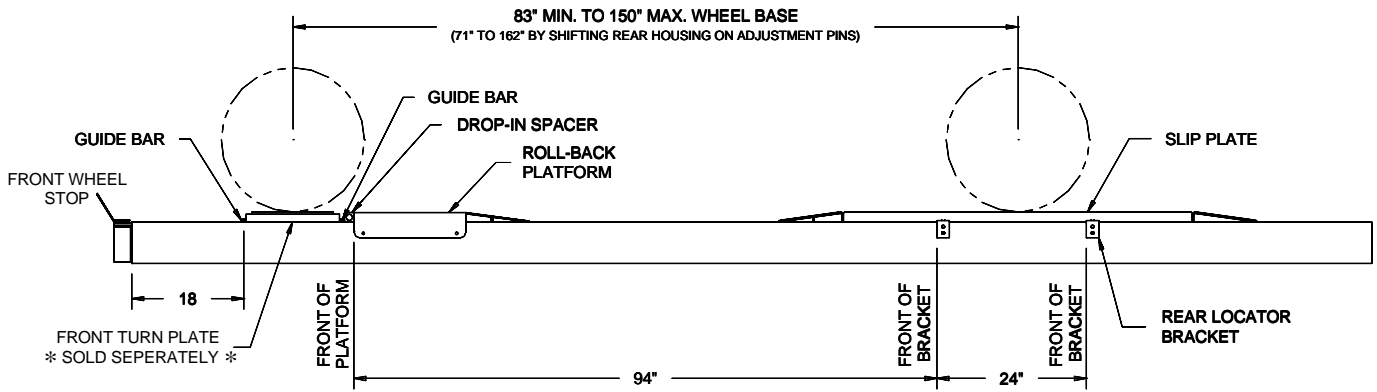


Fig 1 – General Specifications and Layout

READ ENTIRE MANUAL BEFORE ASSEMBLING, INSTALLING, OPERATING, OR SERVICING THIS EQUIPMENT. PROPER MAINTENANCE AND INSPECTION IS NECESSARY FOR SAFE OPERATION. DO NOT OPERATE A DAMAGED LIFT.

INSTALLATION

FOR NEW LIFT OR RETRO-FIT INSTALL

TOOLS (MINIMUM REQUIRED FOR RETRO-FIT)

- a. Standard open end wrenches 3/8", 9/16"
- b. 5/32" allen wrench
- c. Drill with 7/32" & 13/32" bits
- d. Carpenter's square (2 ft.)
- e. Straight edge (8 ft.)

LAYOUT

- 1) Raise the lift to a comfortable work height and lay out the Bolt-On Alignment Kit components on the lift runways, see Fig 1. (Note: all left and right components are identical except the Front Roll-Back Platforms)

IMPORTANT: Locations illustrated in Fig 1 are only suggested and may be repositioned to better suit specific needs. If Front Turn Plates are positioned less than 18" from the front cross beam, ensure the alignment equipment will clear the front wheel stop.

FRONT TURN PLATE

- 2) Locate and drill three 7/32" holes in the Power Runway 18" back from the Front Cross Beam as indicated in Fig 2. Use the front Guide Bar as a template and use a 2' carpenter's square to ensure Guide Bar is square with runway.

IMPORTANT: Drill bit *must not* touch cables located inside Power Runway.

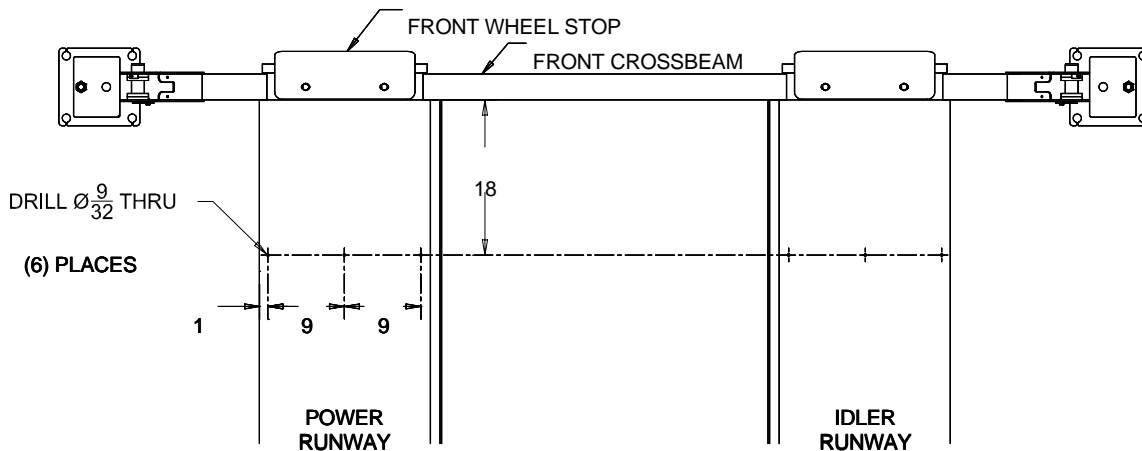


Fig 2 – Front Guide Bar Location

Bolt-On Alignment Kit (3-D)
Installation & Operation Supplement

- 3) Attach Guide Bar to runway using (3) #10-24NC Socket Head Cap Screws and lock nuts provided. Use square to check position.
- 4) Locate front Guide Bar on Idler runway using a straight edge aligned with the Power runway Guide Bar and attach in the same manner.
- 5) Position the Front Turn Plate (SOLD SEPERATELY) against the fixed front Guide Bar and mount a second Guide Bar against the back of the Front Turn Plate.
- 6) Position the Drop-In Spacer and the Roll-Back Platform, **Fig 1**. Using the holes in the side of the Roll-Back Platform as a template, drill (2) 13/32" holes for both runways. Mount platforms using 3/8" flange bolts and nuts provided.

REAR SLIP PLATE

The following procedures are the same for the Power and Idler Runway.

- 7) Locate the front edge of the Rear Locator 94" back from the front edge of the Roll-Back Platform, see **Fig 1**. Using the holes in the Rear Locator, drill (2) 13/32" holes through the side of the runway. Bolt the rear locator using the 3/8" flange bolts and nuts provided.
- 8) Measure 24" from the front edge of the rear locator to the front edge of the second rear locator and repeat the previous procedure Position Rear Slip Plate Housing on locator pins, **Fig 3**.
- 9) Attach Linch Pin chain strap to Slip Plate Housing, **Fig 3**.

Note: The Slip Plate Housing has (5) 9/16" holes spaced 12" apart to fit over the Rear Locator Pins. The housing may be shifted (without the use of any tools) forward or rearward 12" to accommodate a wider range of wheelbases.

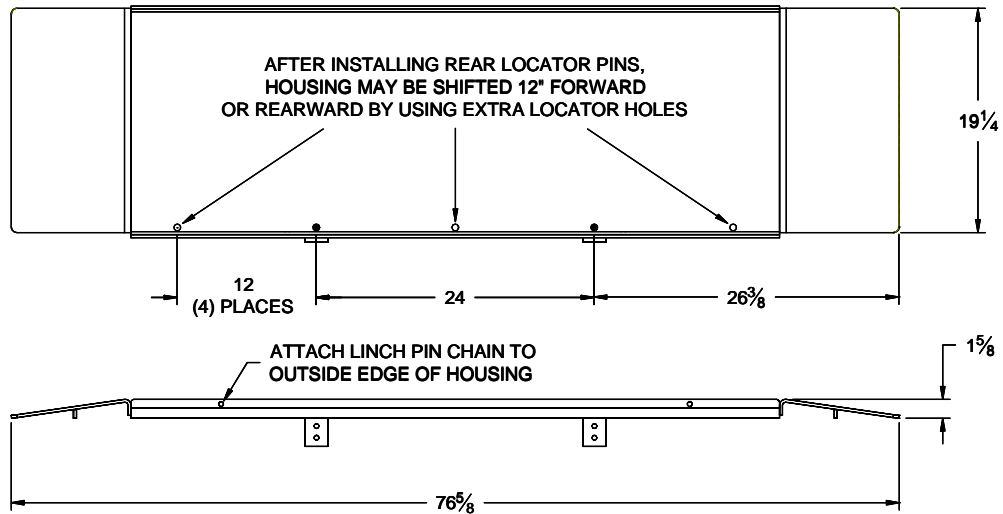


Fig 3 – Rear Slip Plate Housing Locations

PARTS BREAKDOWN

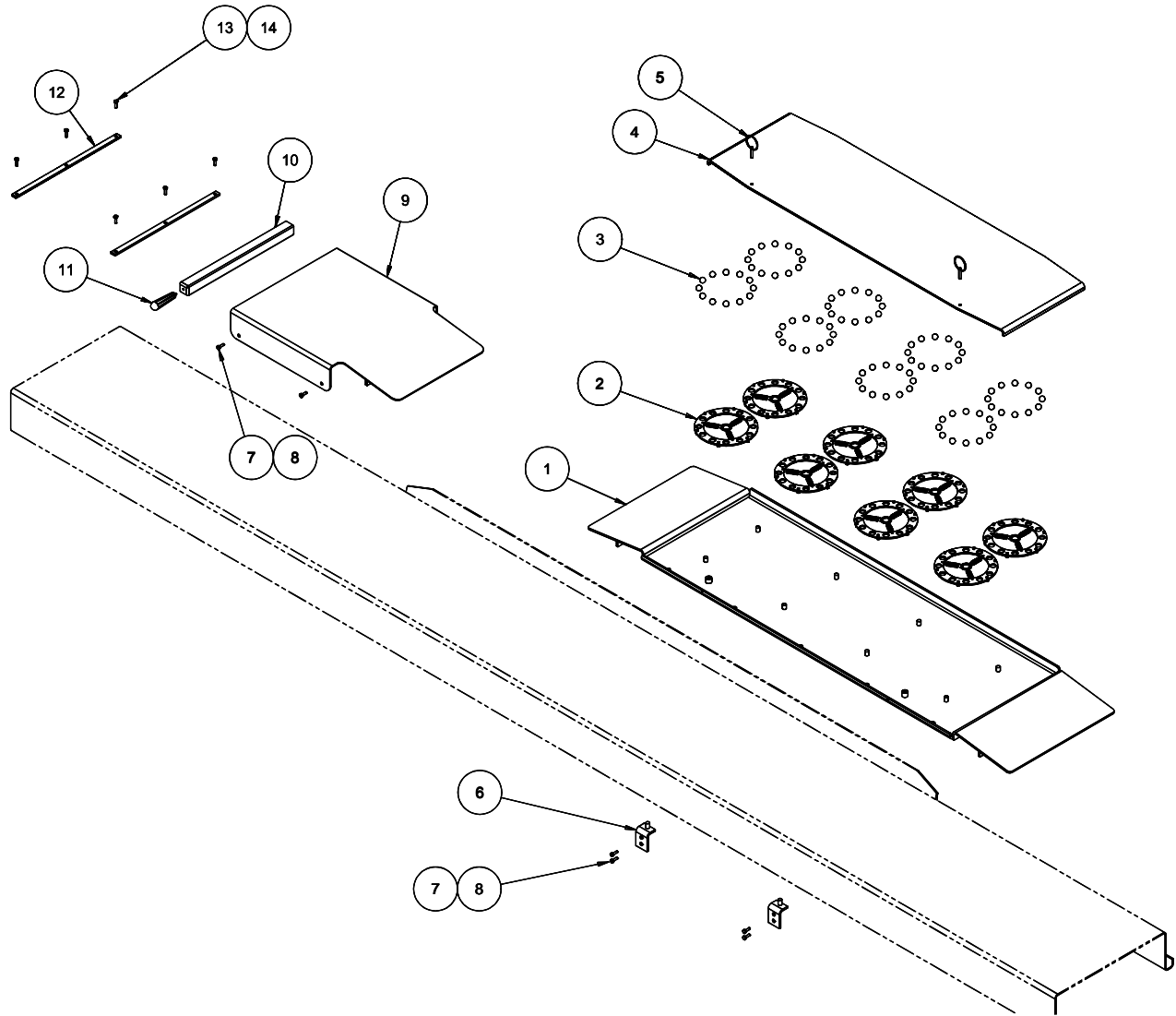


Fig A. Bolt-On Alignment Kit #40200-3D

PARTS BREAKDOWN

ITEM #	PART #	QTY/ LIFT	DESCRIPTION
1	40290	2	SLIP PLATE HOUSING
2	40222	16	BALL RETAINER SUB-ASSEMBLY
3	40211	192	DELFIN BALL
4	40214	2	SLIP PLATE
5	40220	4	LINCH PIN
6	40216	4	REAR LOCATOR
7	A1153	12	3/8-16NC x 3/4Lg HEX.FLG.HD.CAP SCREW
8	A1154	12	3/8-16NC HEX.FLG.NUT
9	40292	2	ROLL-BACK PLATFORM
10	40296	2	DROP-IN SPACER
11	40295	2	HANDLE
12	40291	4	GUIDE BAR
13	40299	12	#10-24NC x 1"Lg SOC.HD.CAP SCREW
14	055-127	12	#10-24NC HEX.LOCK NUT