

Hollow Shaft Magnetic Coupled

Rotary Feedthrough



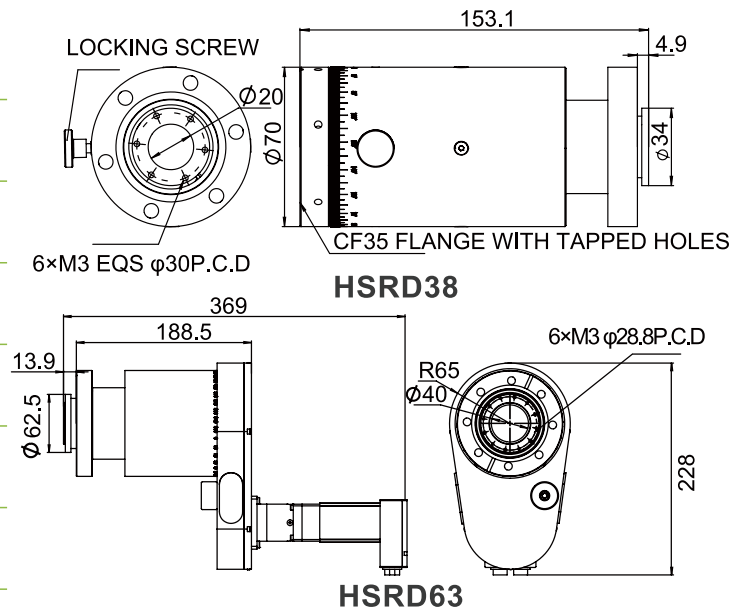
Patent No. ZL 20142 0843895.0

We are now offering this special Rotary Feedthroughs in a hollow configuration, having a rotating internal hollow shaft. Each drive terminates with a CF flange at the rear enabling services such as electric/fluid or an extra motion to be passed through the drive.

This rotary feedthrough is designed to be heavy duty and could support up to 10Kg load on the rotating shaft.

Specification

- ✔ Manual/ Step Motor Actuator
- ✔ Magnetic Coupling
- ✔ Bakeable to 150°C
- ✔ Laser Etched Scale in 1° increments
- ✔ Material: SS316/ NdFeB Magnet
- ✔ Max Rotating Speed: 36RPM
- ✔ Breakaway torque: 30N·m



Flange OD		Actuation	Resolution	Weight (kg)	Part Number
mm	inch				
70	2.75	Manual	1°	2.6	HSRD38
		Step Motor	0.1°	3.2	HSRD38M
114	4.5	Manual	1°	6.9	HSRD63
		Step Motor	0.1°	8.2	HSRD63M