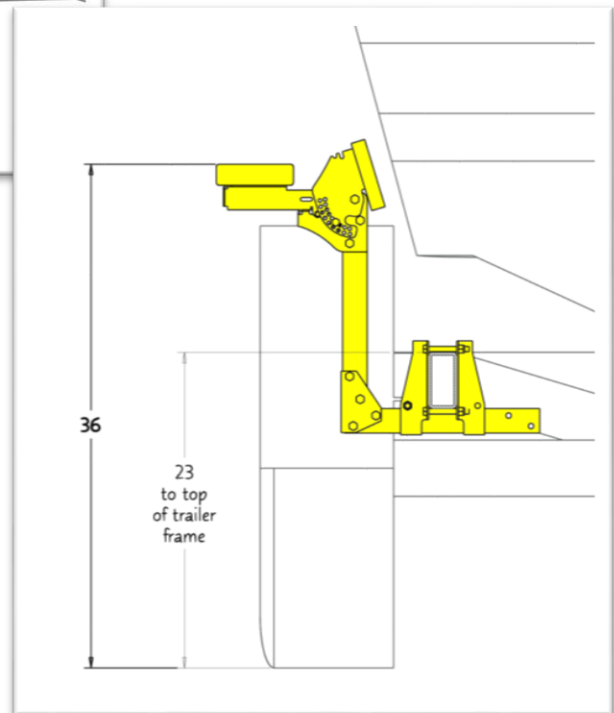
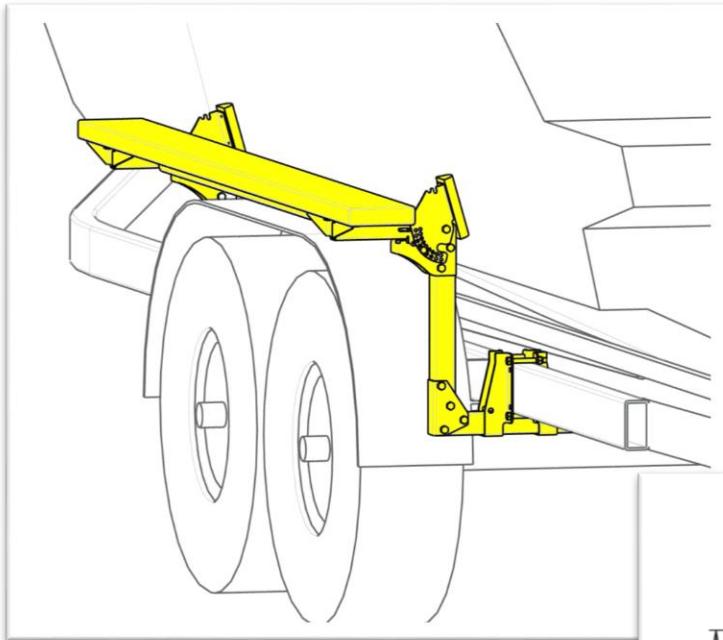


SKU002 Long Step, Below Frame Mounted

- Specifications:
- Two mounting locations per side
 - Mounts must be located 48-63" apart
 - Step is 84" long and 36" above the ground
 - 250 lb weight capacity

- Applications:
- Single axle trailers
 - The step spans the wheel fender
 - To be used by first stepping on the trailer frame or on a Guide-on Step "Step 2" SKU004



Brackets for mounting must have full access to frame from all sides. This model cannot be mounted above an integral step of the trailer – see SKU001.

It is possible to flip the mounting brackets and position the assembly above the frame to raise the step and guide 6".