

PRINCIPAL PARTICULAR

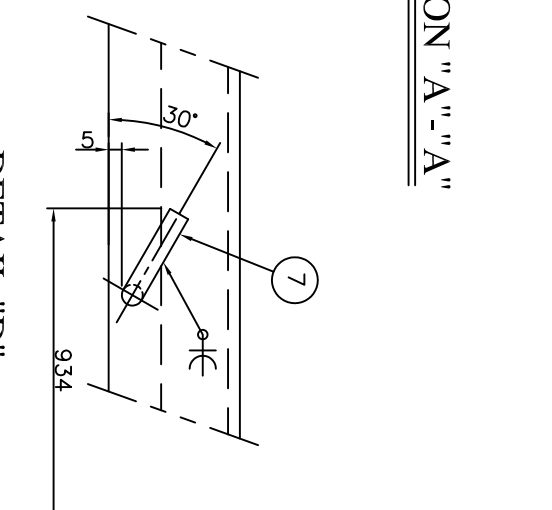
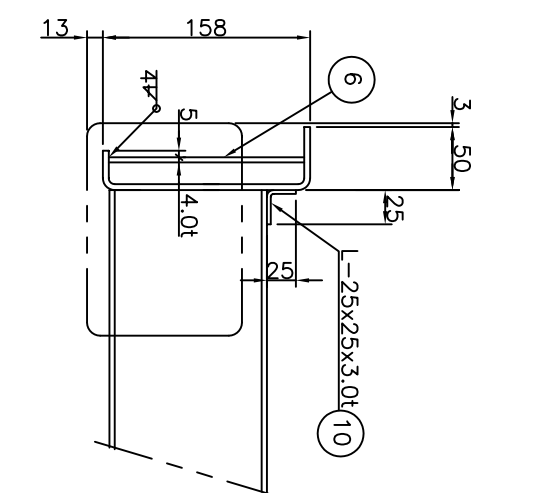
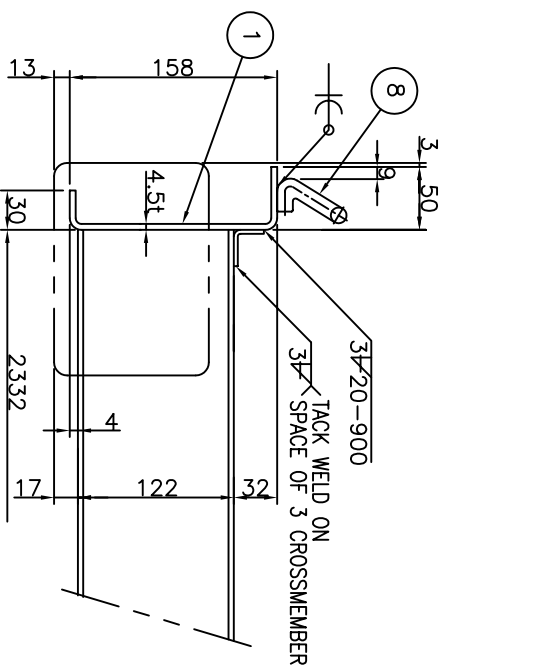
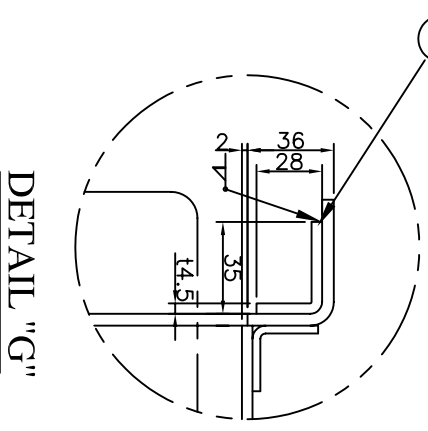
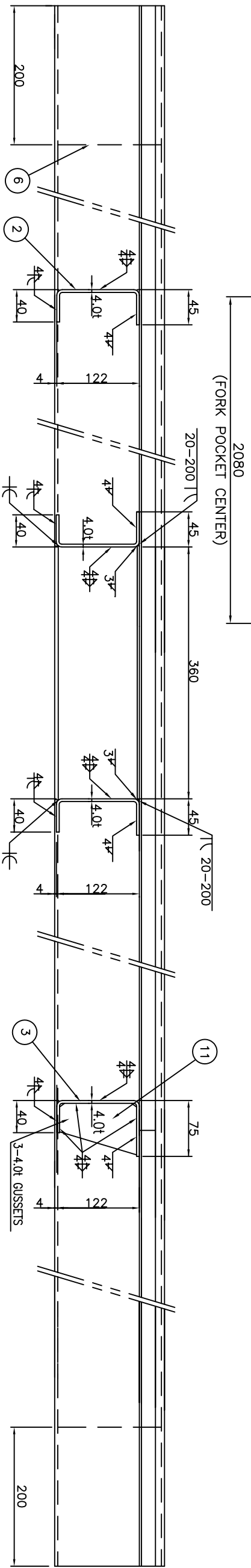
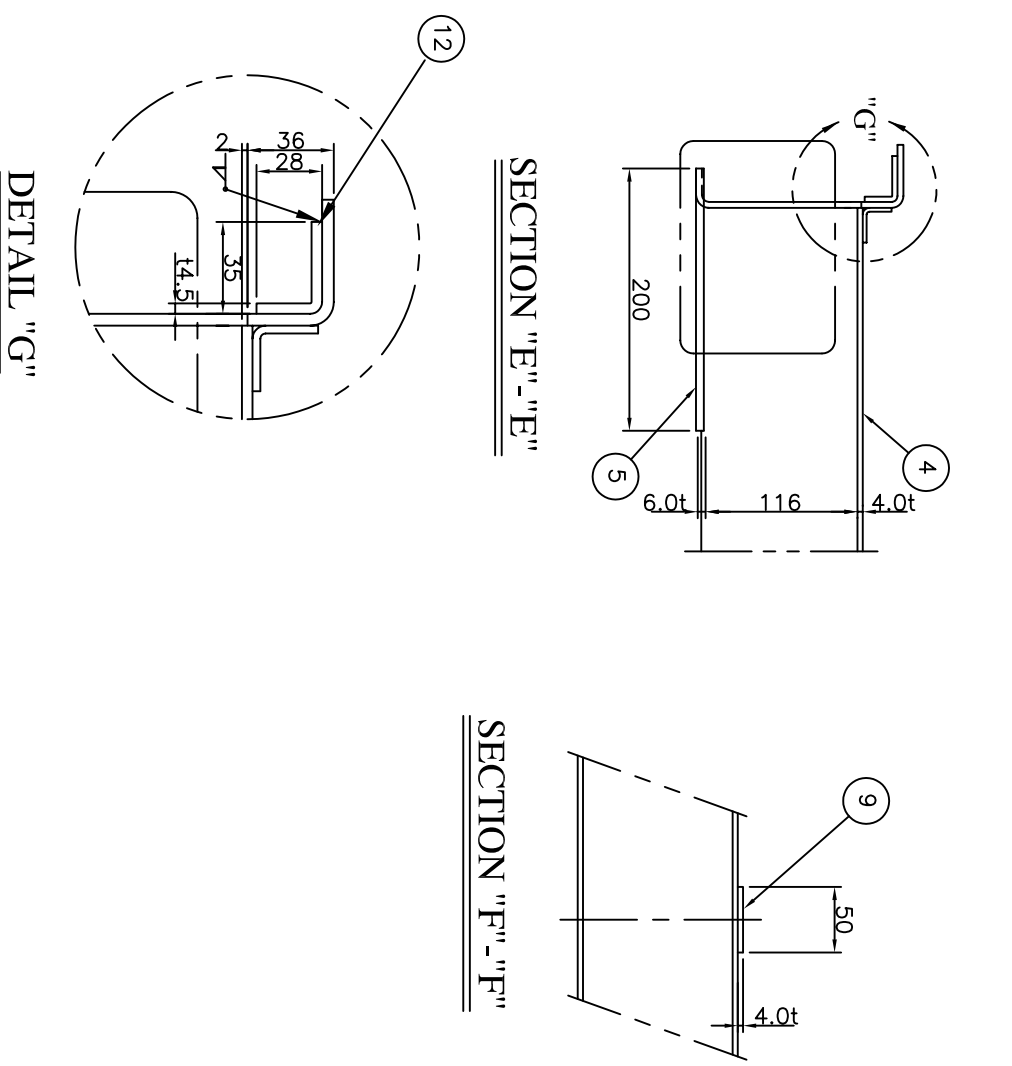
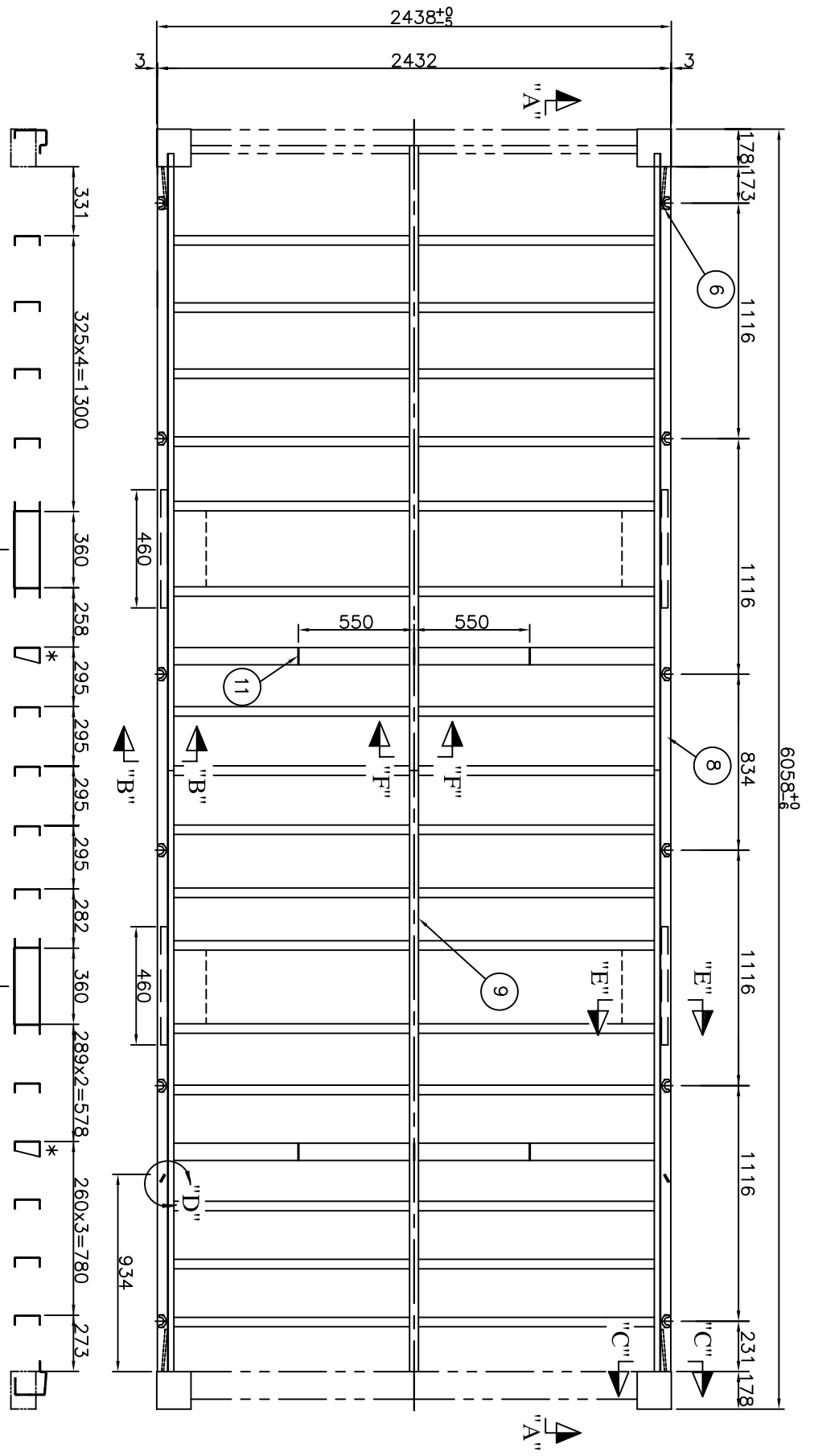
MAX. GROSS WEIGHT	30480 KG	67200 LBS
TARE WEIGHT	2185 KG	4820 LBS
MAX. CARGO WEIGHT	28295 KG	62380 LBS
CUBIC CAPACITY	33.2 M ³	1170 FT ³
STACKING CAPACITY/POST	97200 KG	214300 LBS
RACKING TEST LOAD	15240 KG	33600 LBS
FLOOR TEST LOAD	7260 KG	16000 LBS
EXTERNAL		
HEIGHT	8'-6"	2591 MM
WIDTH	8'	2438 MM
LENGTH	20'	6058 MM
INTERNAL		
HEIGHT	7'-10 7/32"	2393 MM
WIDTH	7'-8 19/32"	2352 MM
LENGTH	19'-4 13/64"	5898 MM
HEIGHT	7'-5 49/64"	2280 MM
WIDTH	7'-8 1/8"	2340 MM

10	APPLICATION OF SEALANT	CAR-T-1001	1
9	CONSOLIDATED PLATED	CAR-T-9001	1
8	ARRANGEMENT OF MARKING	CAR-T-9000	1
7	FLOOR ASSEMBLY	CAR-T-8000	1
6	DOOR ASSEMBLY	CAR-TF-7000	1
5	ROOF ASSEMBLY	CAR-TI-6000	1
4	SIDE ASSEMBLY	CAR-T-5000	1
3	REAR ASSEMBLY	CAR-T-4000	1
2	FRONT ASSEMBLY	CAR-TI-3000	1
1	BASE ASSEMBLY	CAR-T-2000	1
	DESCRIPTION	DWG. NO.	QTY

SINGAMAS

GENERAL ASSEMBLY

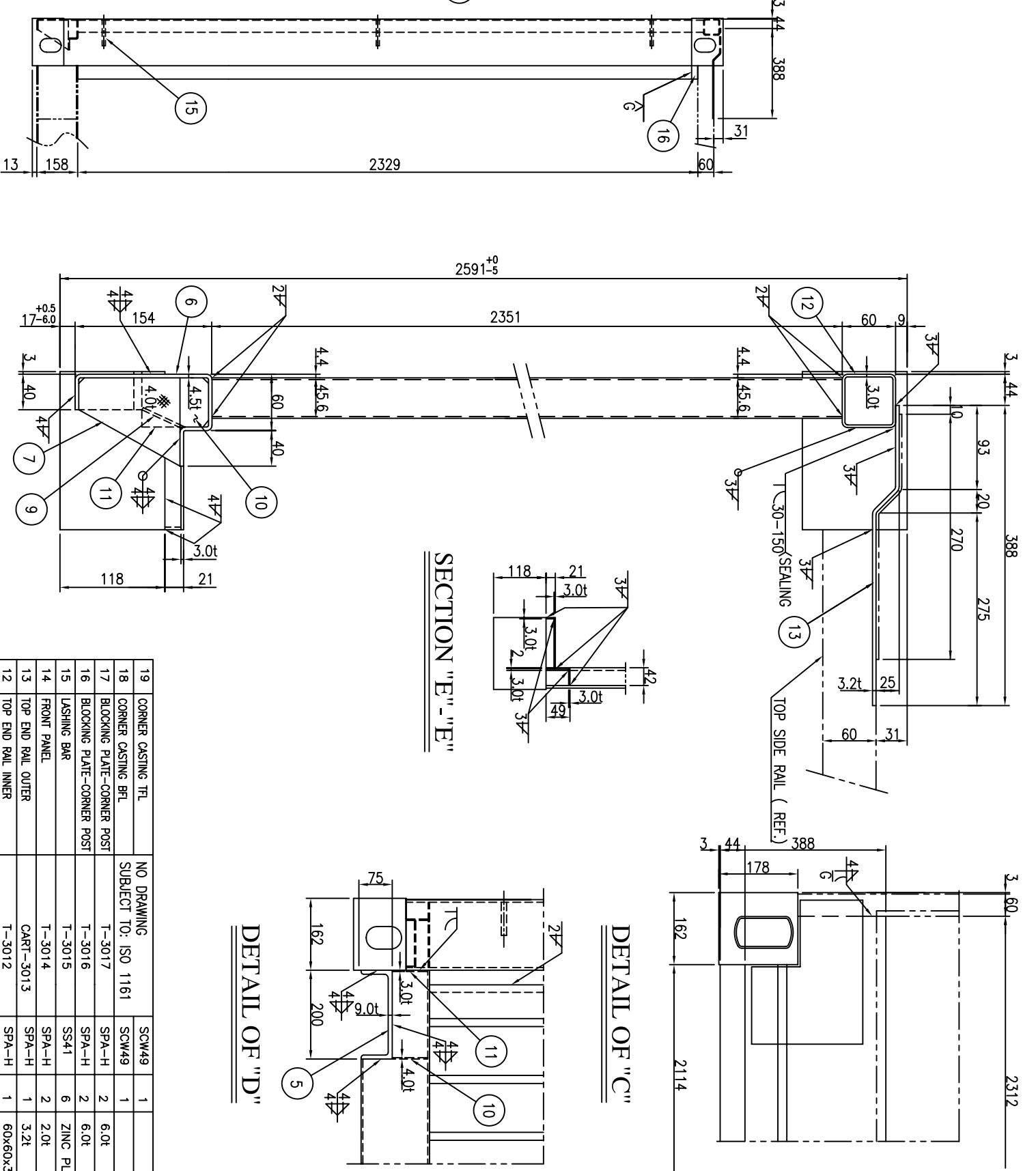
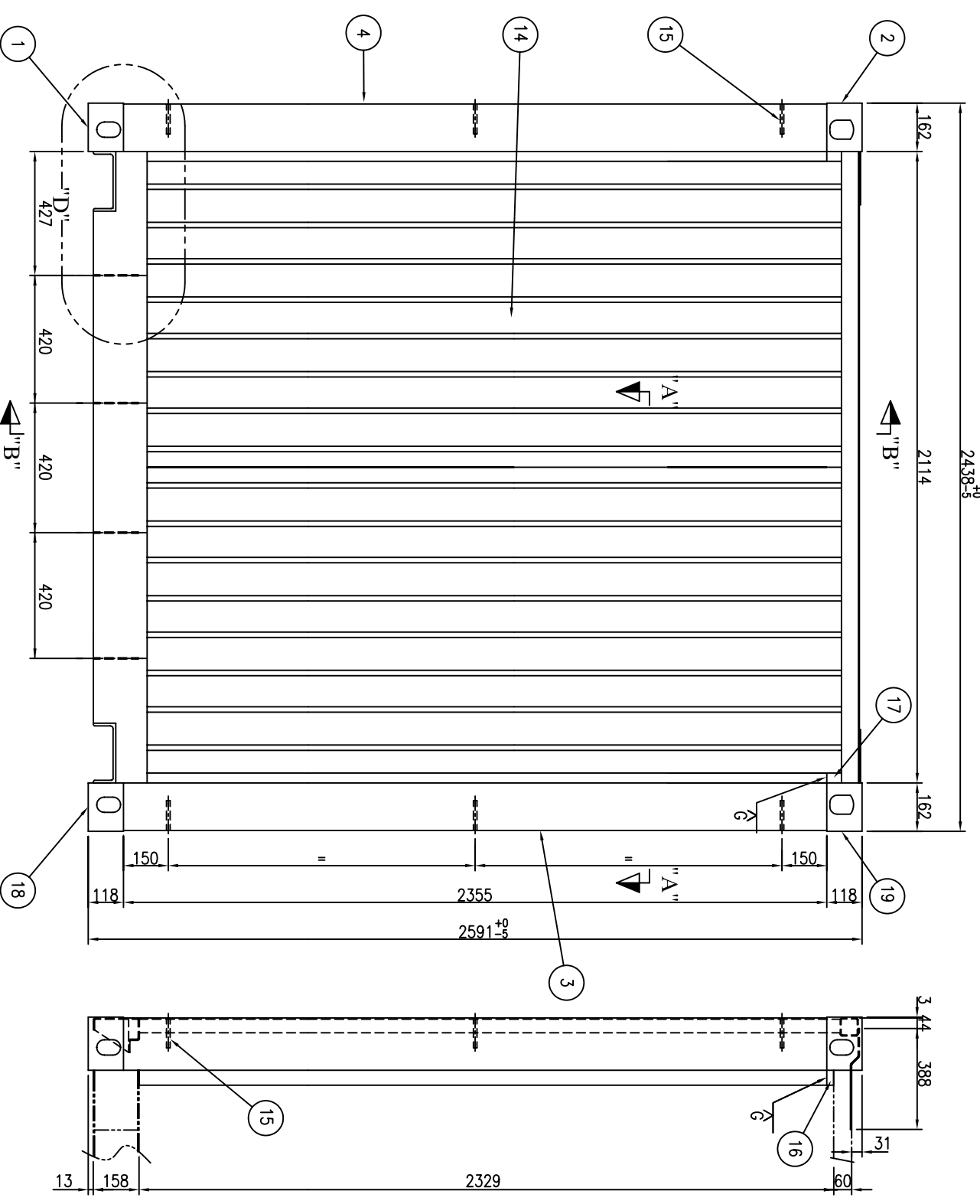
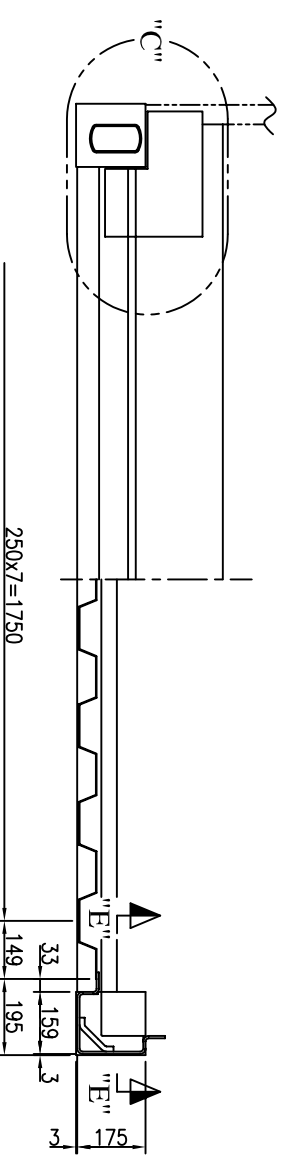
DRAWN BY: DESIGNED BY: CHECKED BY: APPROVED BY:
 SCALE: 20060107
 DATE: OWNER: CARU
 MODEL: DWG. NO.: CAR-T-1000



12	FORK LIFT POCKET STIFFENER	CART-2012	SPA-H	4	4.5t
11	GUSSET-CROSS MEMBER LARGE	T-2011	SPA-H	6	4.0t
10	FLOOR RETAINER	CART-2010	SPA-H	2 SETS	3.0t
9	FLOOR SPACER	T-2009	SPA-H	1 SET	4.0t(H,D,G)
8	LASHING RING	T-2008	SS41	12	φ12 (E,Z,P)
7	HOOK DOOR HOLDER	T-2007	SS41	2	φ8 (E,Z,P)
6	BASE GUSSET	T-2006	SPA-H	4	4.0t
5	BOTTOM PLATE FORK POCKET	T-2005	SPA-H	4	6.0t
4	TOP PLATE FORK POCKET	CART-2004	SPA-H	2	4.0t
3	CROSS MEMBER LARGE	MART-2003	SPA-H	2	4.0t
2	CROSS MEMBER SMALL	MART-2002	SPA-H	16	4.0t
1	BOTTOM SIDE RAIL	T-2001	SPA-H	2	4.5t
NO	ITEM	DWG. NO.	MTL	QTY	REMARKS

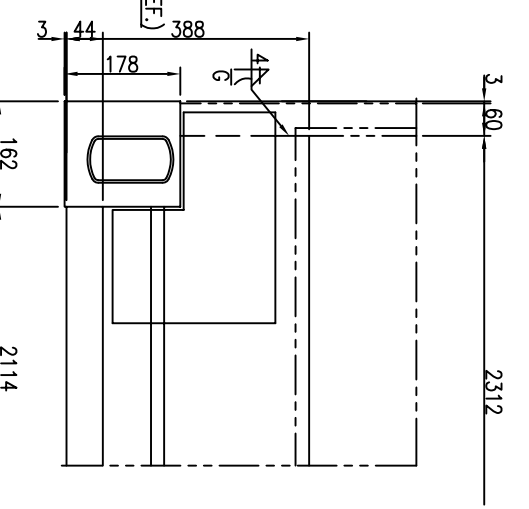
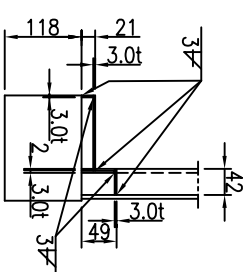
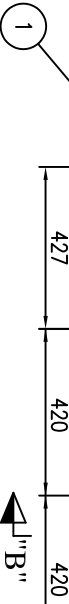
SINGAMAS

DRAWN BY		DESIGNED BY		CHECKED BY		APPROVED BY	
SCALE :		DATE :		OWNER :		DWG. NO. :	
20060107		CARU		CARU		CAR-T-2000	
BASE ASSEMBLY							



SECTION "B" - "B"

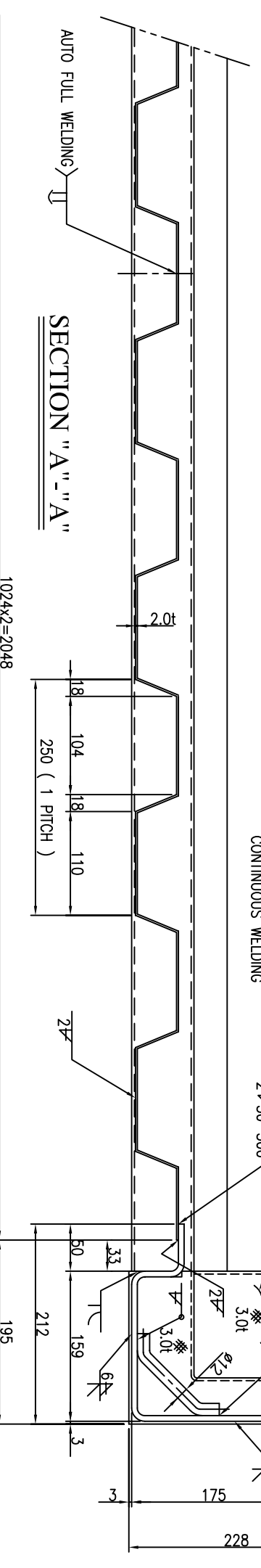
SECTION "E" - "E"



DETAIL OF "D"

DETAIL OF "C"

SEALING
TOP 150 mm & BOTTOM 150 mm) ZP30-300
CONTINUOUS WELDING



SECTION "A" - "A"

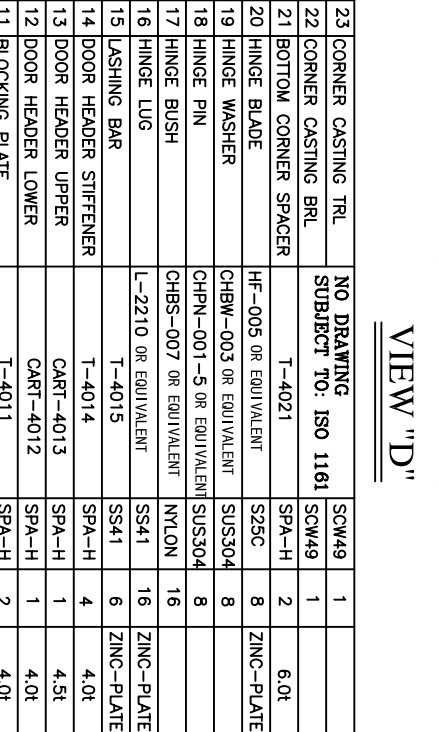
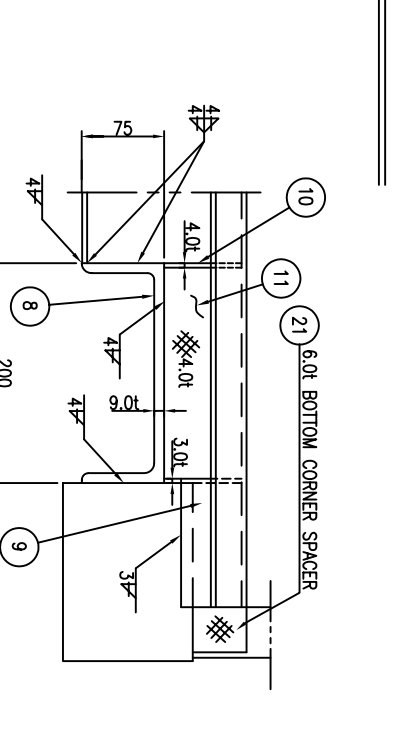
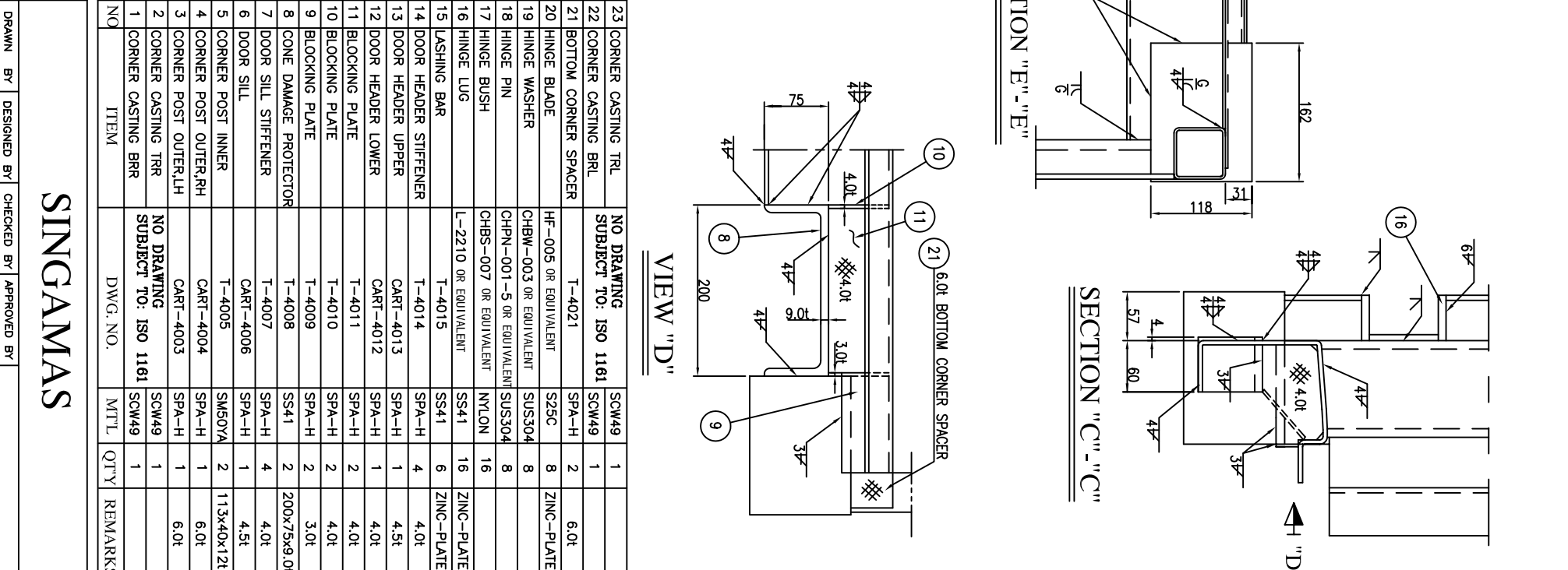
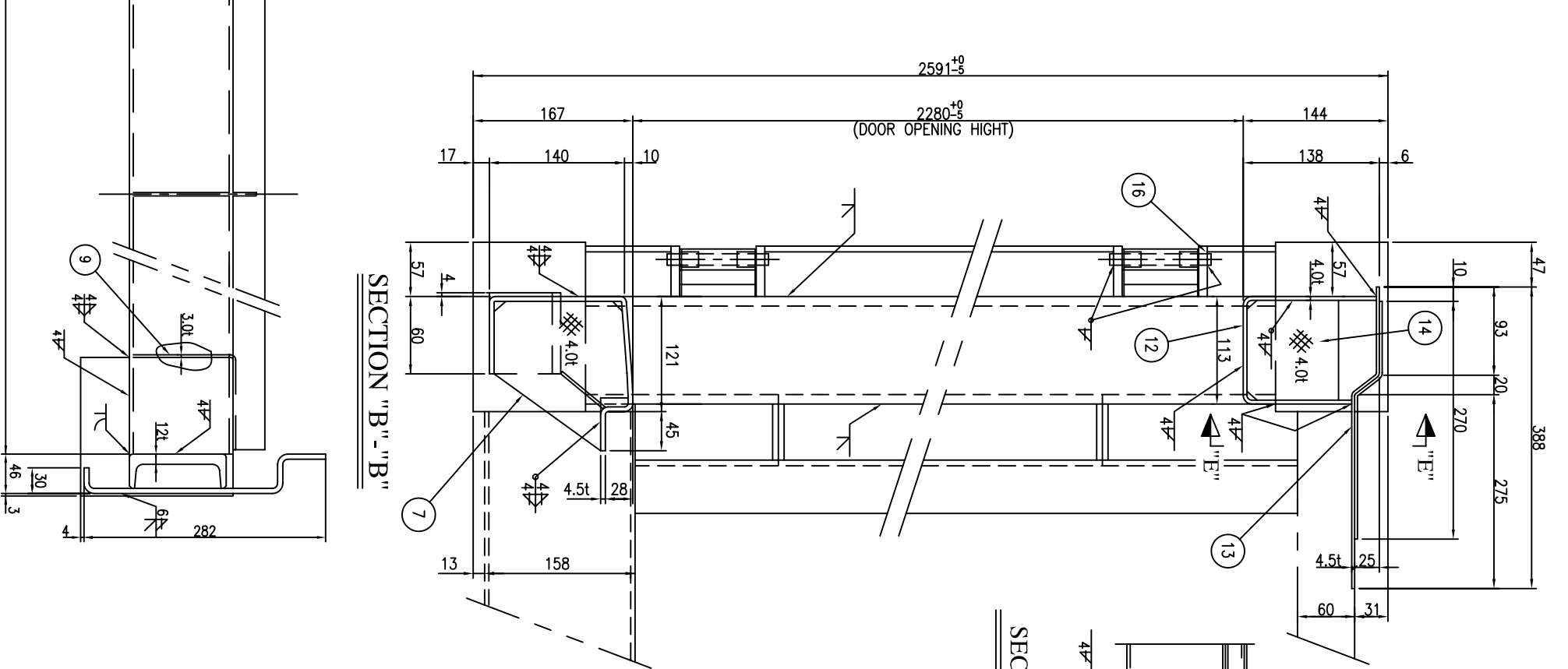
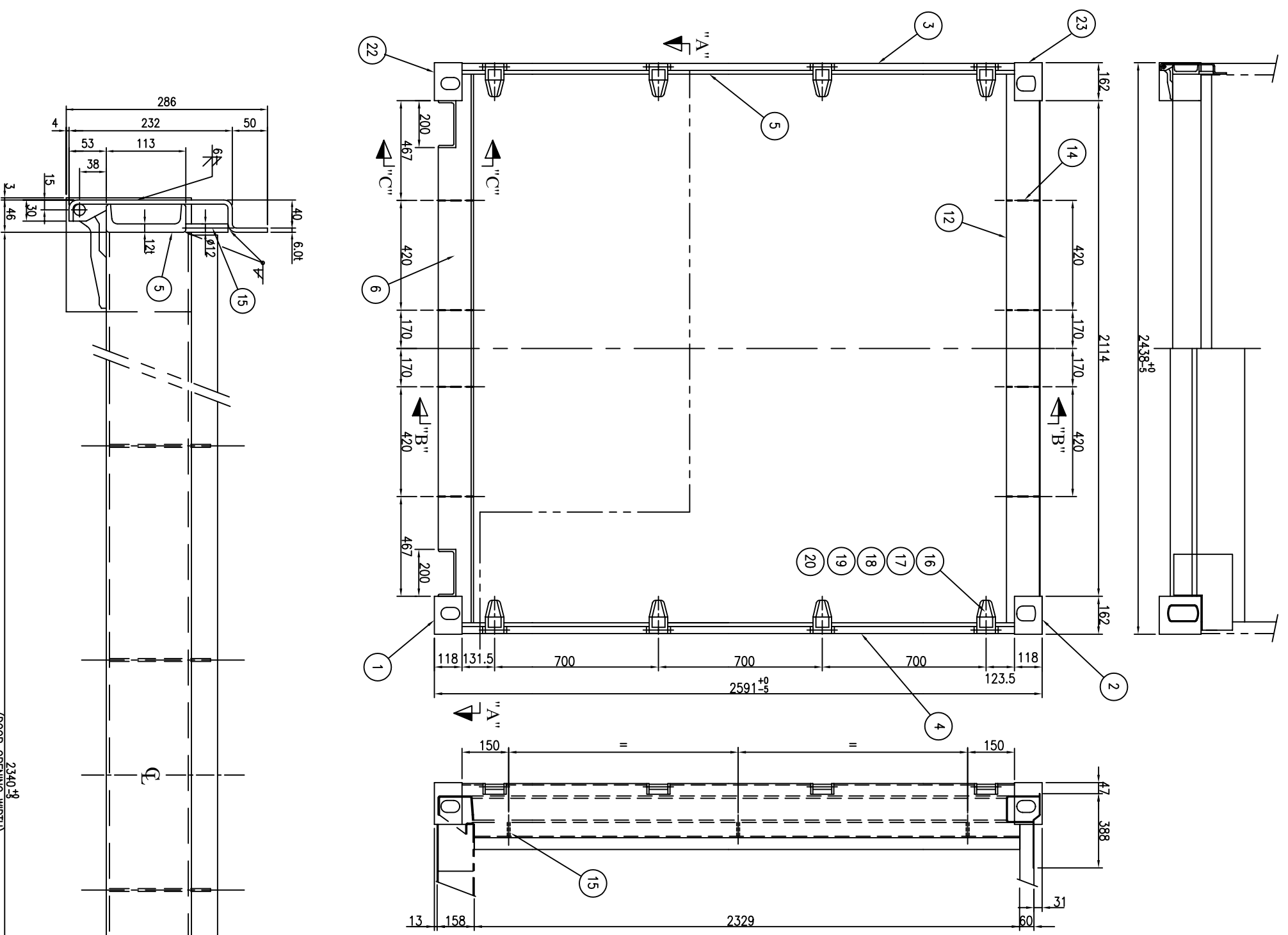
NO	ITEM	DWG. NO.	MTL	QTY	REMARKS
19	CORNER CASTING TFL	NO DRAWING	SCW49	1	
18	CORNER CASTING BFL	SUBJECT TO: ISO 1161	SCW49	1	
17	BLOCKING PLATE-CORNER POST	T-3017	SPA-H	2	6.0t
16	BLOCKING PLATE-CORNER POST	T-3016	SPA-H	2	6.0t
15	LASHING BAR	T-3015	SS41	6	ZINC PLATED
14	FRONT PANEL	T-3014	SPA-H	2	2.0t
13	TOP END RAIL OUTER	CART-3013	SPA-H	1	3.2t
12	TOP END RAIL INNER	T-3012	SPA-H	1	60x60x3.0t
11	BLOCKING PLATE	T-3011	SPA-H	2	3.0t
10	BLOCKING PLATE	T-3010	SPA-H	2	4.0t
9	FLOOR SUPPORT ASSY	T-3009	SPA-H	2	4.0t
8	BOTTOM END RAIL STIFFENER	T-3008A,B,C,D	SPA-H	2	LH & RH
7	BOTTOM END RAIL	CART-3007	SPA-H	4	4.0t
6	CONE DAMAGE PROTECTOR	T-3005	SS41	2	200x75x9.0t
5	CORNER POST RH	T-3004	SPA-H	1	6.0t
4	CORNER POST LH	T-3003	SPA-H	1	6.0t
3	CORNER CASTING TR	NO DRAWING	SCW49	1	
2	CORNER CASTING BFR	SUBJECT TO: ISO 1161	SCW49	1	
1	ITEM				

SINGAMAS

FRONT ASSEMBLY

DRAWN BY: DESIGNED BY: CHECKED BY: APPROVED BY: SCALE: DATE: OWNER: CARU DWG. NO: CAR-T-3000 MODEL: 20051215

1024x2=2048

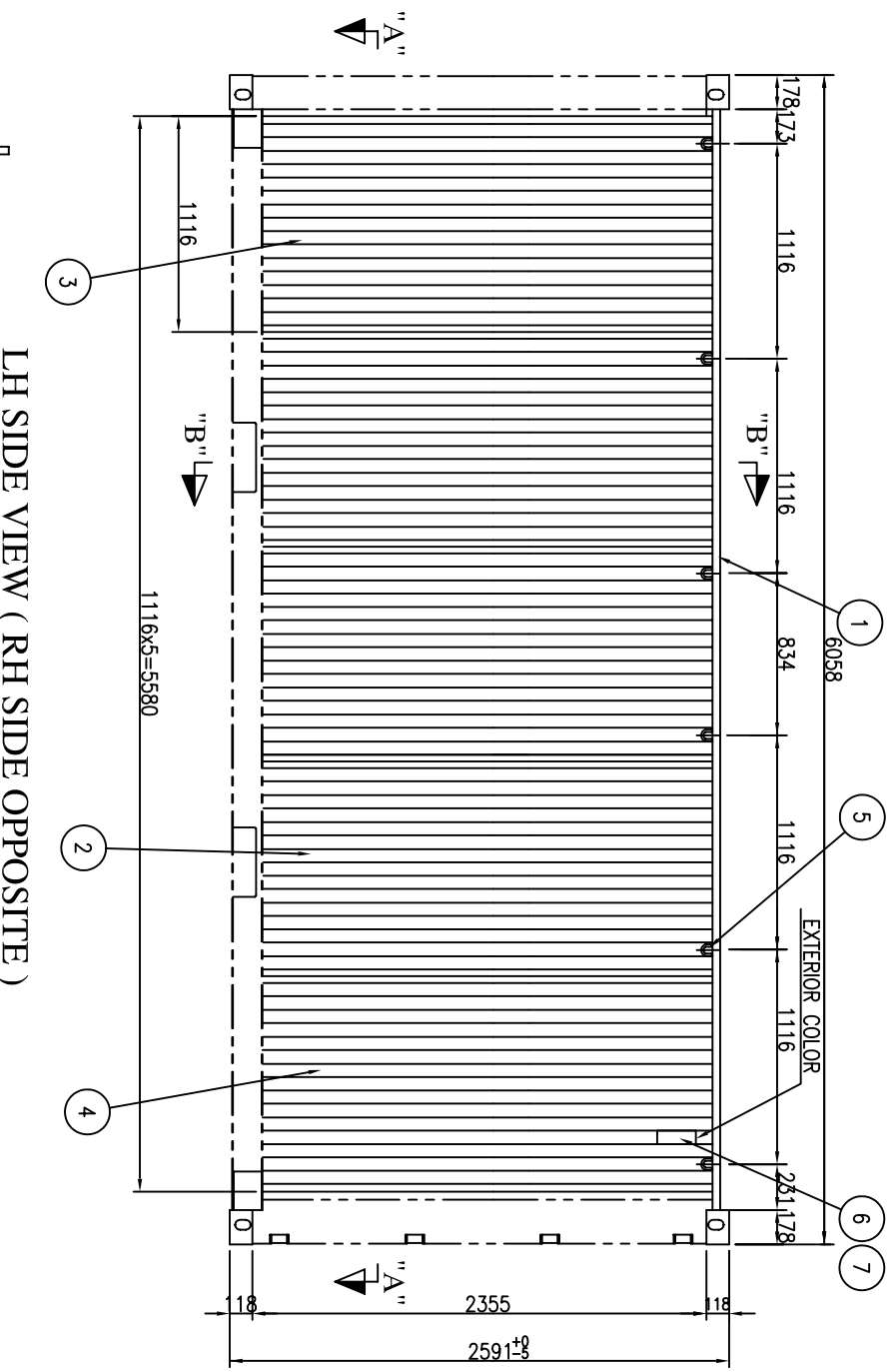


NO	ITEM	DWG. NO.	MTL	QTY	REMARKS
23	CORNER CASTING TRL	NO DRAWING SUBJECT TO: ISO 1161	SCW49	1	
22	CORNER CASTING BRL		SCW49	1	
21	BOTTOM CORNER SPACER	T-4021	SPA-H	2	6.0t
20	HINGE BLADE	HF-005 OR EQUIVALENT	SZ5C	8	ZINC-PLATED
19	HINGE WASHER	CHW-003 OR EQUIVALENT	SUSS304	8	
18	HINGE PIN	CHPN-001-5 OR EQUIVALENT	SUSS304	8	
17	HINGE BUSH	CHBS-007 OR EQUIVALENT	NYLON	16	
16	HINGE LUG	L-2210 OR EQUIVALENT	SS41	16	ZINC-PLATED
15	LASHING BAR	T-4015	SS41	6	ZINC-PLATED
14	DOOR HEADER STIFFENER	T-4014	SPA-H	4	4.0t
13	DOOR HEADER UPPER	CART-4013	SPA-H	1	4.5t
12	DOOR HEADER LOWER	CART-4012	SPA-H	1	4.0t
11	BLOCKING PLATE	T-4011	SPA-H	2	4.0t
10	BLOCKING PLATE	T-4010	SPA-H	2	4.0t
9	BLOCKING PLATE	T-4009	SPA-H	2	3.0t
8	CONE DAMAGE PROTECTOR	T-4008	SS41	2	200x75x9.0t
7	DOOR SILL STIFFENER	T-4007	SPA-H	4	4.0t
6	DOOR SILL	CART-4006	SPA-H	1	4.5t
5	CORNER POST INNER	T-4005	SM50VA	2	113x40x12t
4	CORNER POST OUTER,RH	CART-4004	SPA-H	1	6.0t
3	CORNER POST OUTER,LH	CART-4003	SPA-H	1	6.0t
2	CORNER CASTING TRR	NO DRAWING SUBJECT TO: ISO 1161	SCW49	1	
1	CORNER CASTING BRR		SCW49	1	

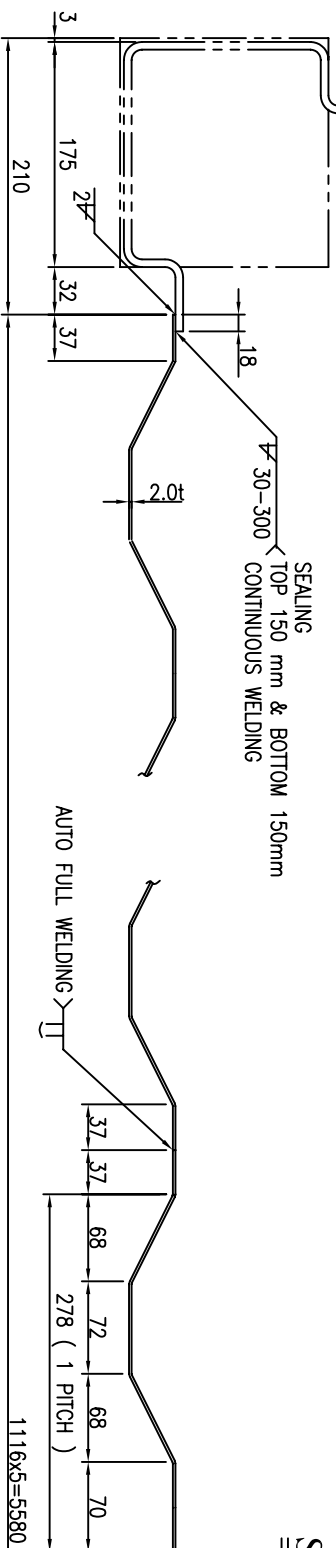
SINGAMAS

REAR ASSEMBLY

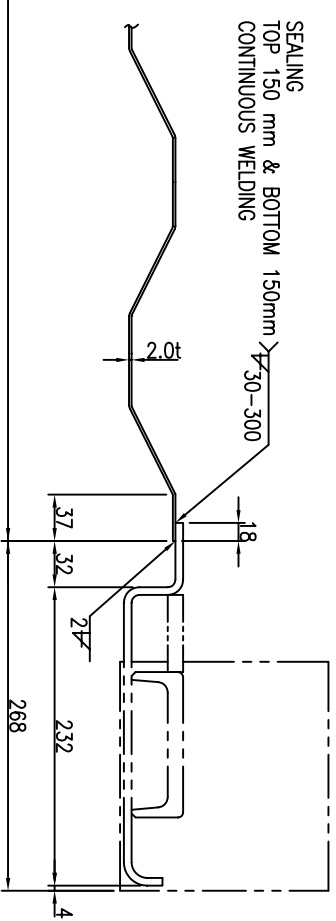
SCALE : DATE : OWNER : CARU DWG. NO : CAR-T-4000



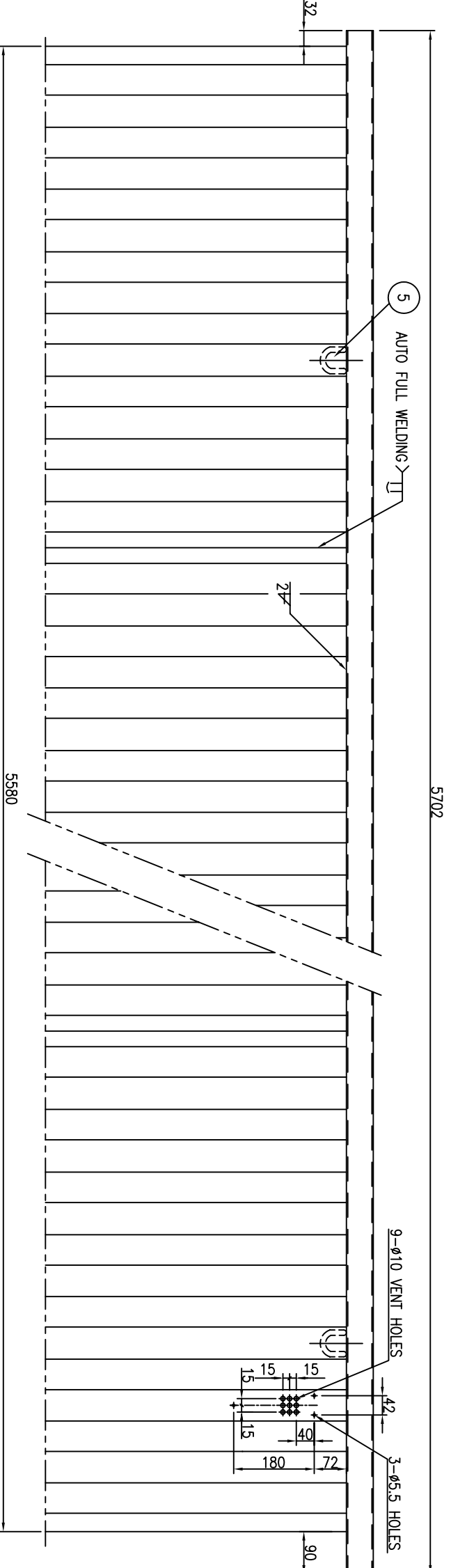
LH SIDE VIEW (RH SIDE OPPOSITE)



SECTION "B"- "B"



SECTION "A"- "A"



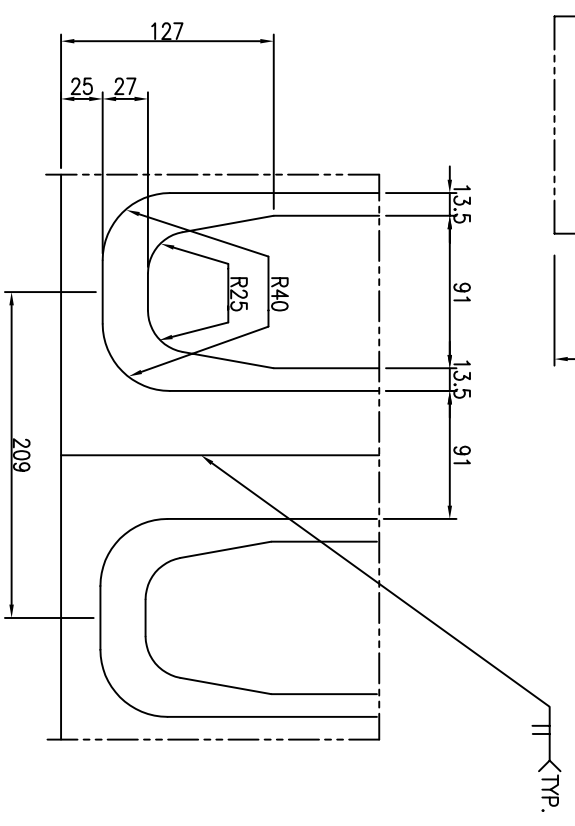
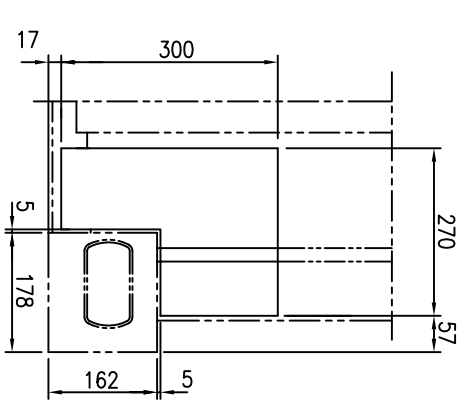
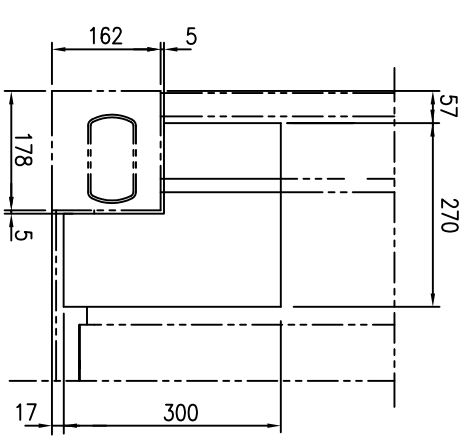
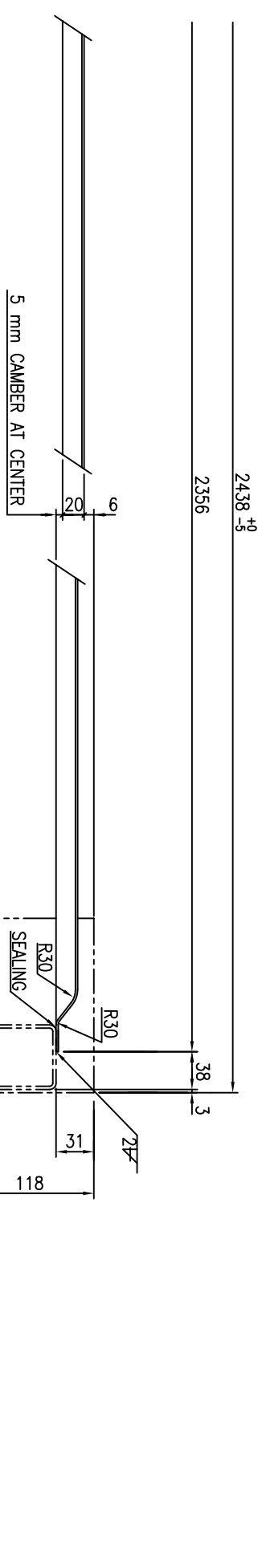
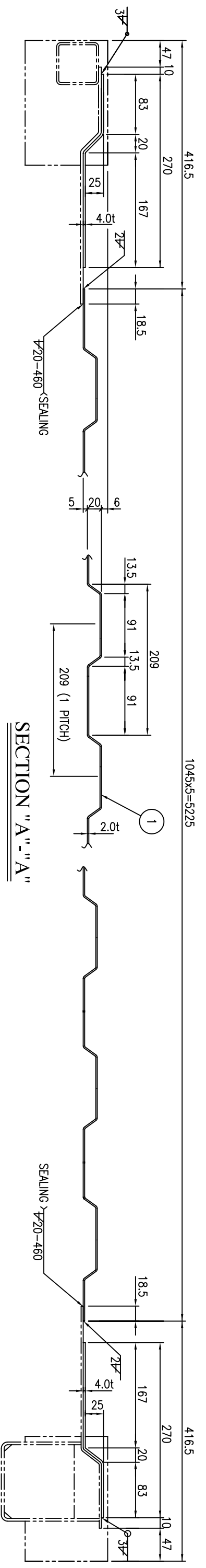
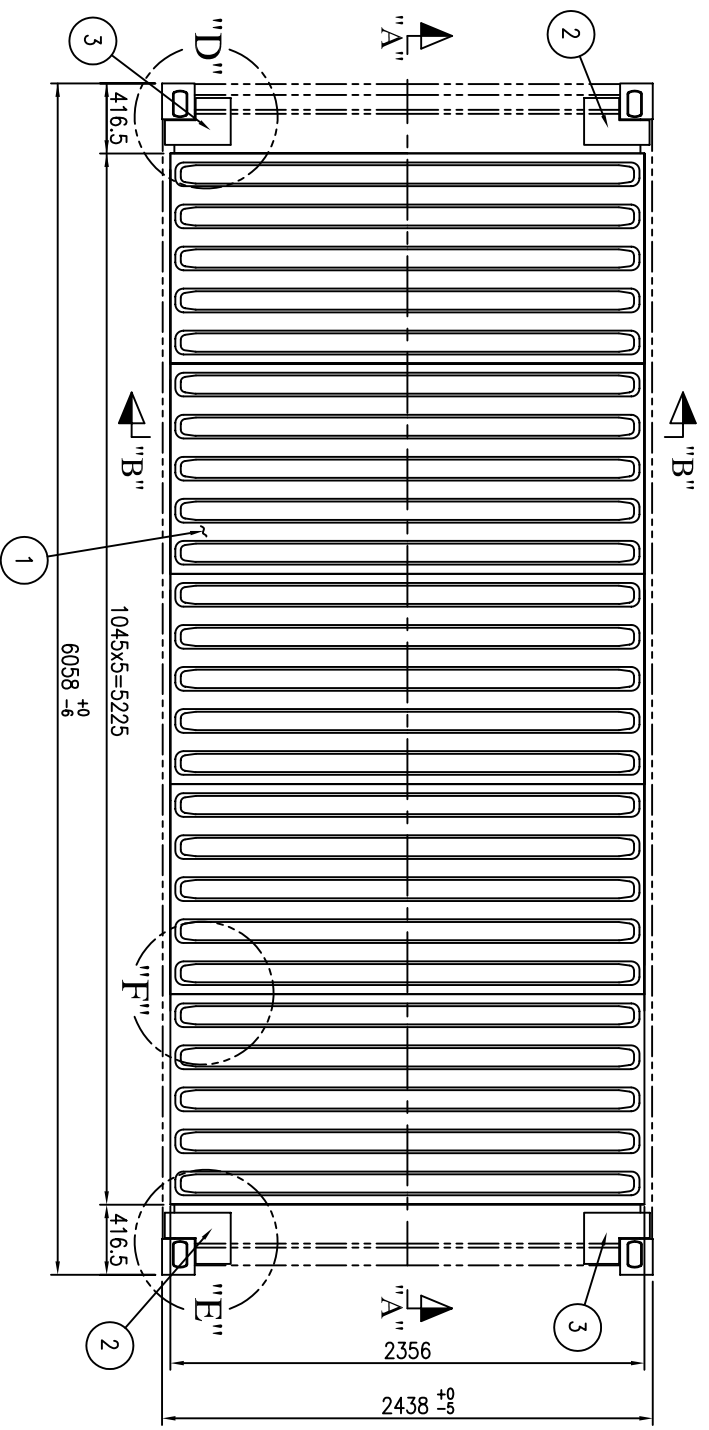
DETAIL OF VENT HOLES

NO	ITEM	DWG. NO.	MTL	QTY	REMARKS
1	TOP SIDE RAIL	T-5001	SPA-H	1x2	60x60x3.0t
2	MAIN PANEL	T-5002	SPA-H	3x2	1.6t
3	END PANEL (VENTILATOR)	T-5004	SPA-H	1x2	2.0t
4	LASHING RING	T-2008	SS41	6x2	Ø12 (E.Z.P.)
5	VENT COVER	NO DRAWING	A.B.S	1x2	SMALL
6	HUCK BOLT	NO DRAWING	ALUM	3x2	Ø5.0
7					

SINGAMAS

DRAWN BY: DESIGNED BY: CHECKED BY: APPROVED BY: SIDE ASSEMBLY

SCALE: DATE: OWNER: CARU DWG. NO: CAR-T-5000
 20051215 MODEL:

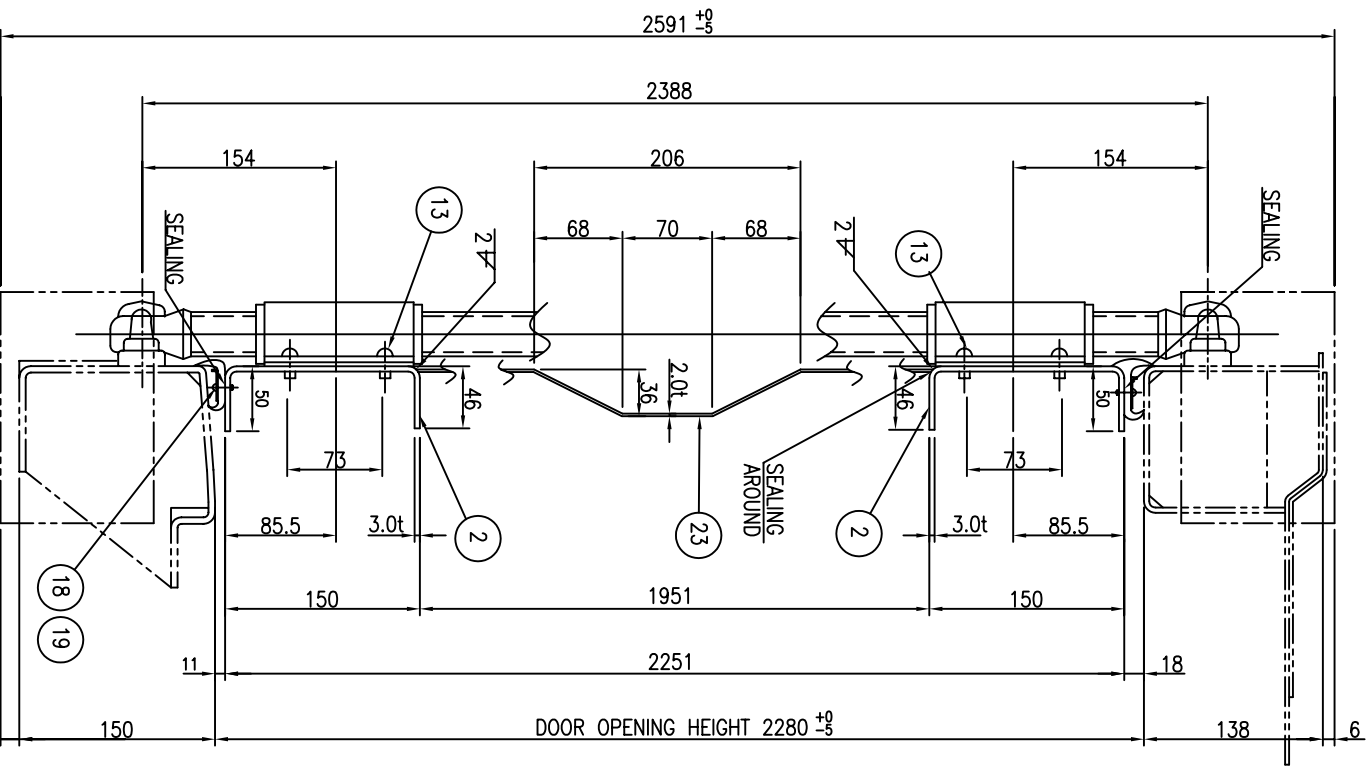
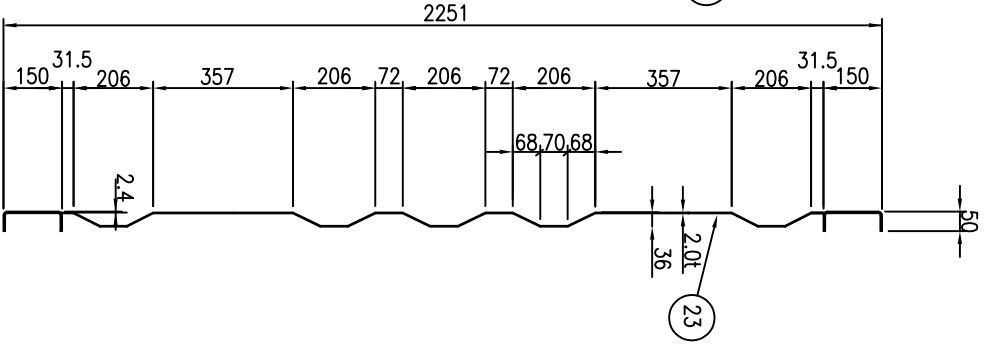
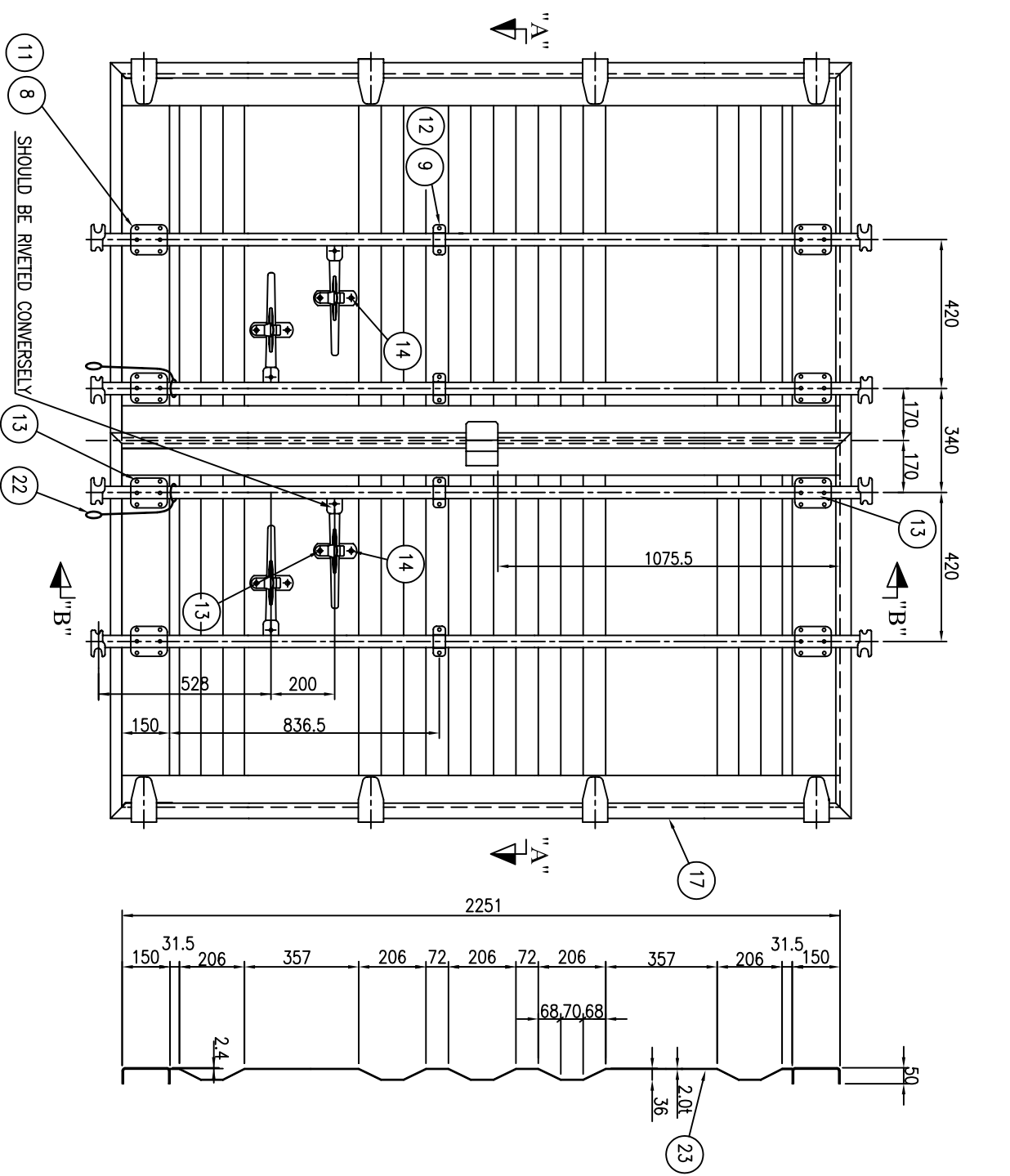


NO	ITEM	DRG.NO.	MTL	QTY	REMARKS
3	REINFORCEMENT PLATE,RR/FL	CART-6003	SPA-H	2	4.0t
2	REINFORCEMENT PLATE,RL/FR	CART-6002	SPA-H	2	4.0t
1	ROOF PANEL	T-6001	SPA-H	5	2.0t

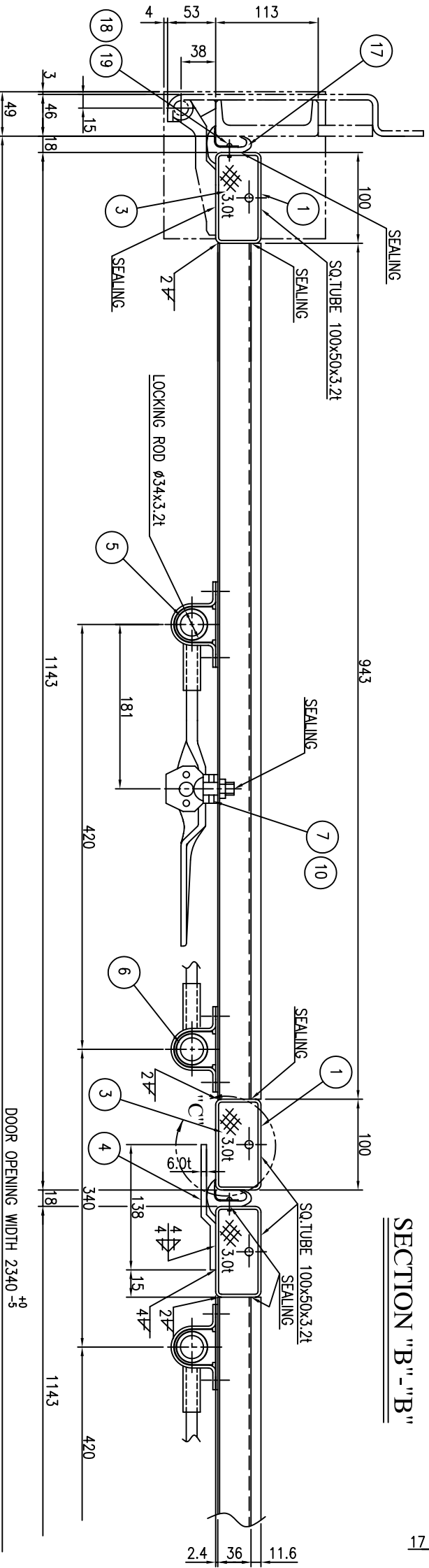
SINGAMAS

ROOF ASSEMBLY

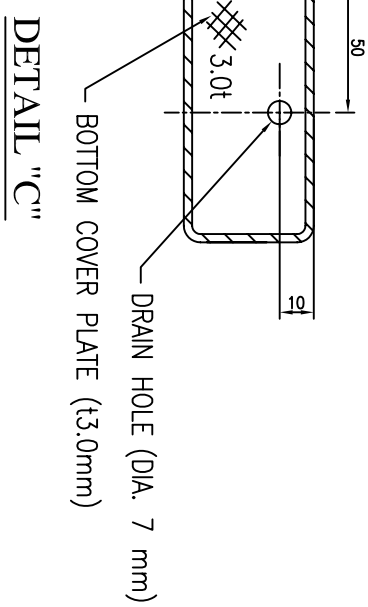
DRAWN BY	DESIGNED BY	CHECKED BY	APPROVED BY
SCALE :	DATE :	OWNER :	DWG. NO :
20051215		CARU	CAR-T-6000
MODEL :			



SECTION "B" - "B"



SECTION "A" - "A"



NOTE : 1. SEALANT IS APPLIED TO DOOR GASKET AND HARDWARES BEFORE SETTING
2. THE LOCKING DEVICES TO BE INSTALLED AFTER THE CONTAINER IS PAINTED

23	DOOR PANEL	CART-7023A/B	SPA-H	2	2.0t	
22	DOOR HOLDER	NO DRAWING	NYLON	2	DOUBLE KNOT	
21						
20						
19	BLIND RIVET	NO DRAWING	SUS 304	77	φ4.8 x 16.6	
18	GASKET RETAINER ASS'Y	CART-7018	SUS 304	1 SET	1.0t (25mm width)	
17	DOOR GASKET ASS'Y	NO DRAWING	E.P.D.M	1 SET		
16						
15						
14	HUCK BOLT	NO DRAWING	GBB-R12-106	4	GALV.	
13	HUCK BOLT		GBB-R12-66	44	GALV.	
12	PACKING-BRACKET SMALL		E.P.D.M	4	3.5t	
11	PACKING-BRACKET LARGE		E.P.D.M	8	1.0t	
10	PACKING- HANDLE RETAINER	NO DRAWING	E.P.D.M	4	3.5t	
9	BRACKET SMALL ASS'Y			4	GALVANIZED	
8	BRACKET LARGE ASS'Y	ACCORDING TO: THE LOCKING DEVICES		8	GALVANIZED	
7	HANDLE RETAINER ASS'Y			4	GALVANIZED	
6	LOCKING DEVICE ASS'Y,RH	T-7006		2	GALVANIZED	
5	LOCKING DEVICE ASS'Y,LH	T-7005		2	GALVANIZED	
4	TIR BRACKET	CART-7004	SPA-H	1	6.0t	
3	D.E.M BLOCKING PLATE (BOTTOM PLATE WITH HOLE)	CART-7003A,B	SPA-H	4+4	3.0t	
2	DOOR RAIL	CART-7002A,B	SPA-H	4	3.0t	
1	DOOR EDGE MEMBER	T-7001	SPA-H	4	100x50x3.2t	
NO	ITEM	DWG.NO.	MTL	QTY	REMARKS	

SINGAMAS

DOOR ASSEMBLY

20' & 40'

DRAWN BY :
DESIGNED BY :
CHECKED BY :
APPROVED BY :
SCALE :
DATE :
OWNER : CARU
MODEL :
20051230
DWG. NO : CAR-TF-7000

