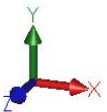
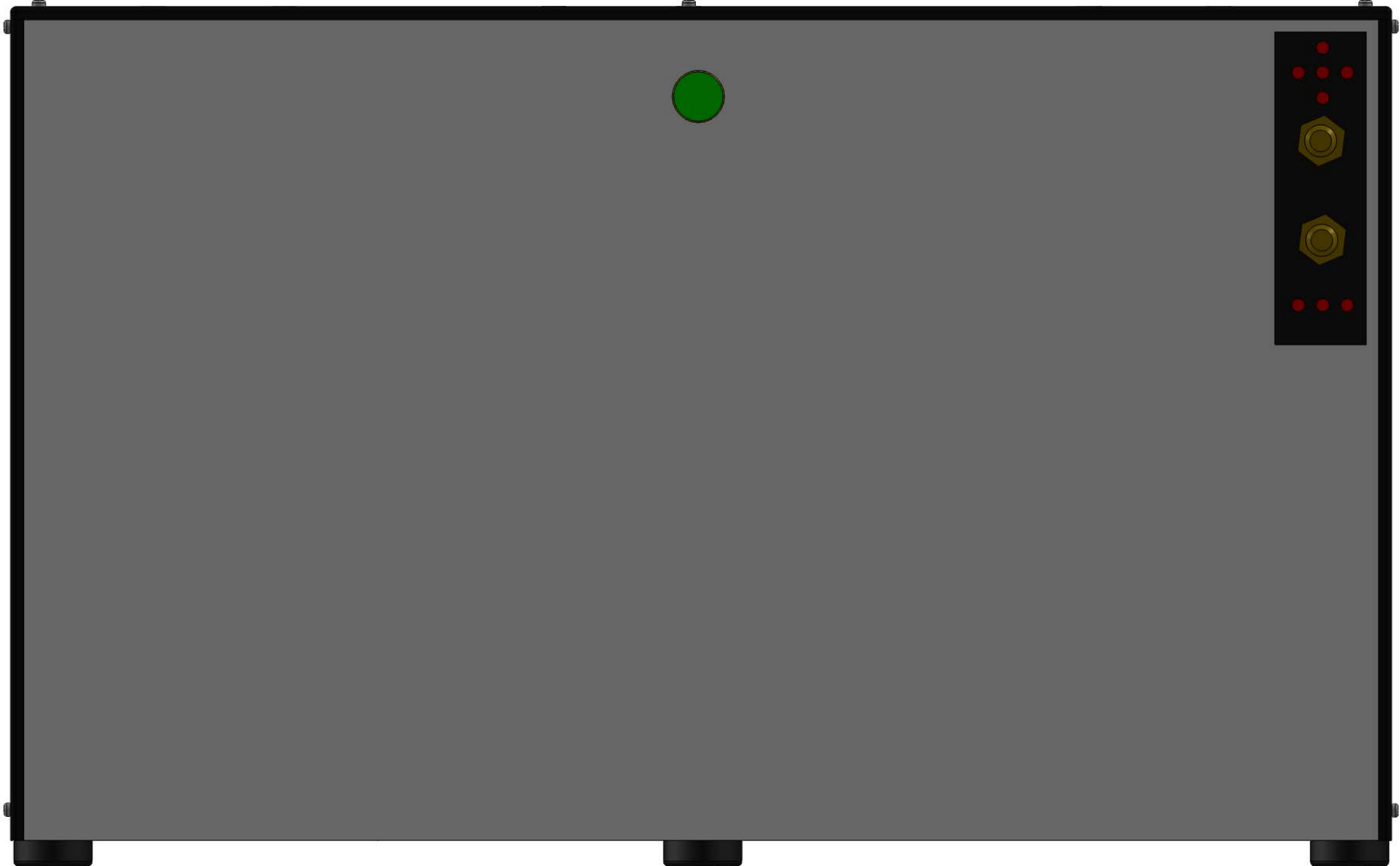


# POLY #3 CABINET



**FRONT**



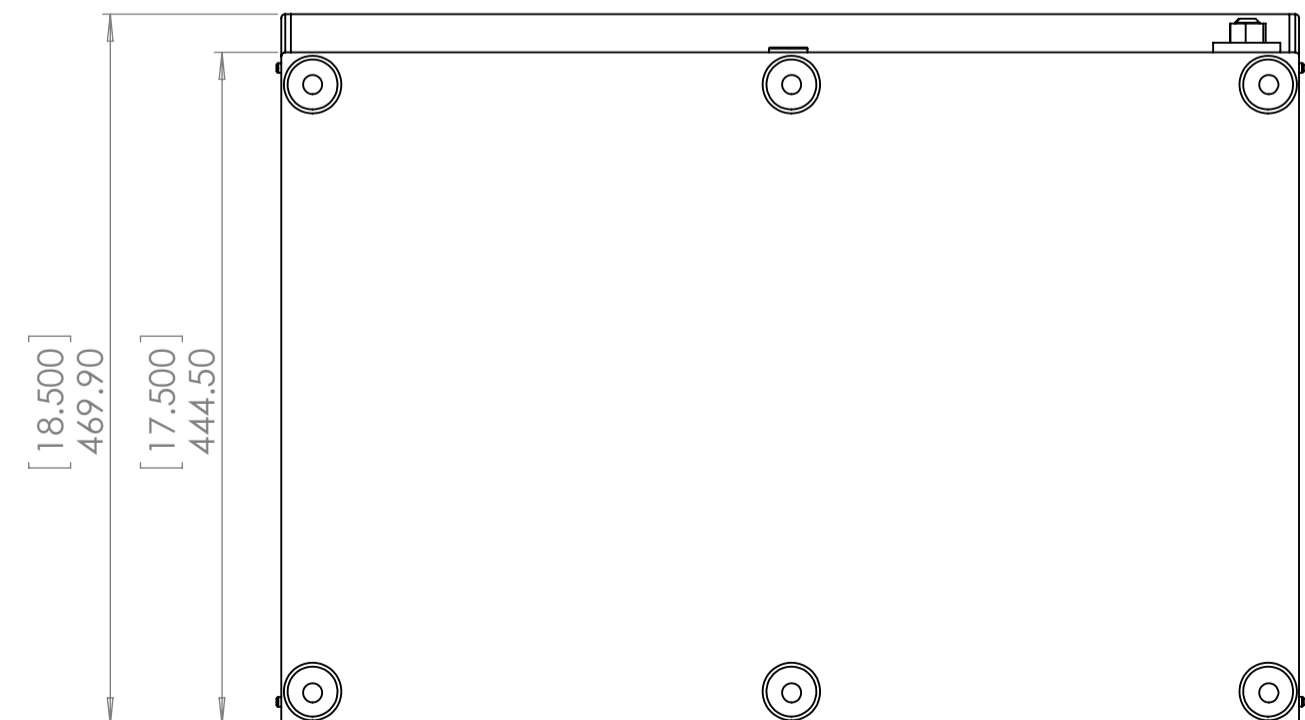
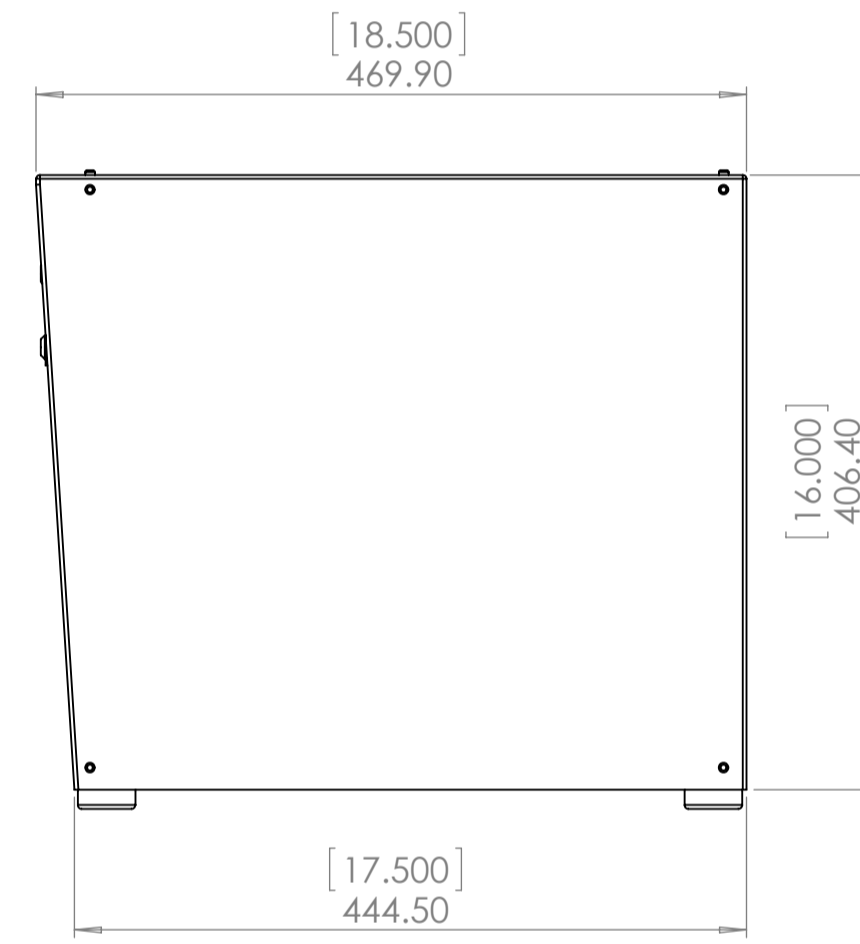
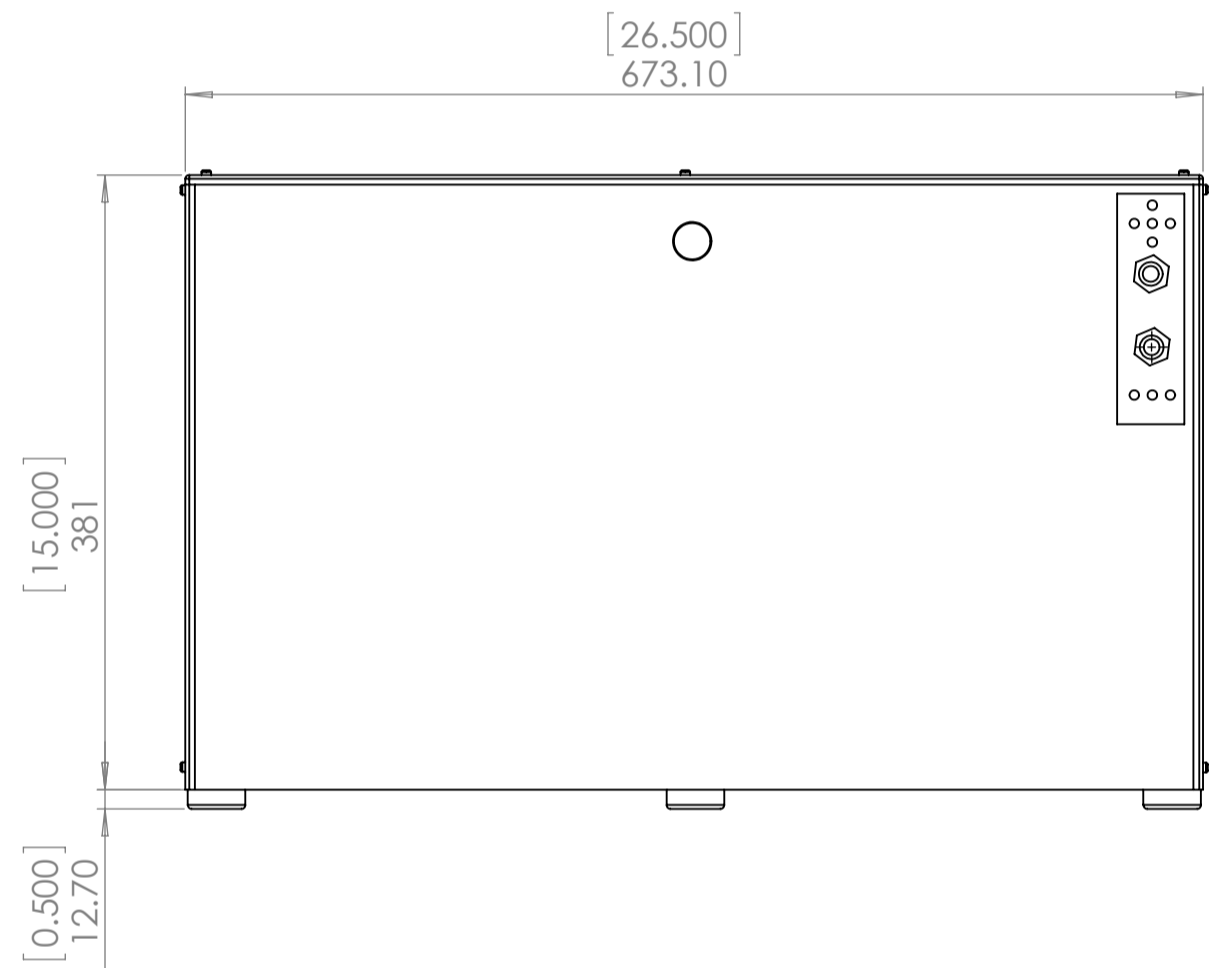
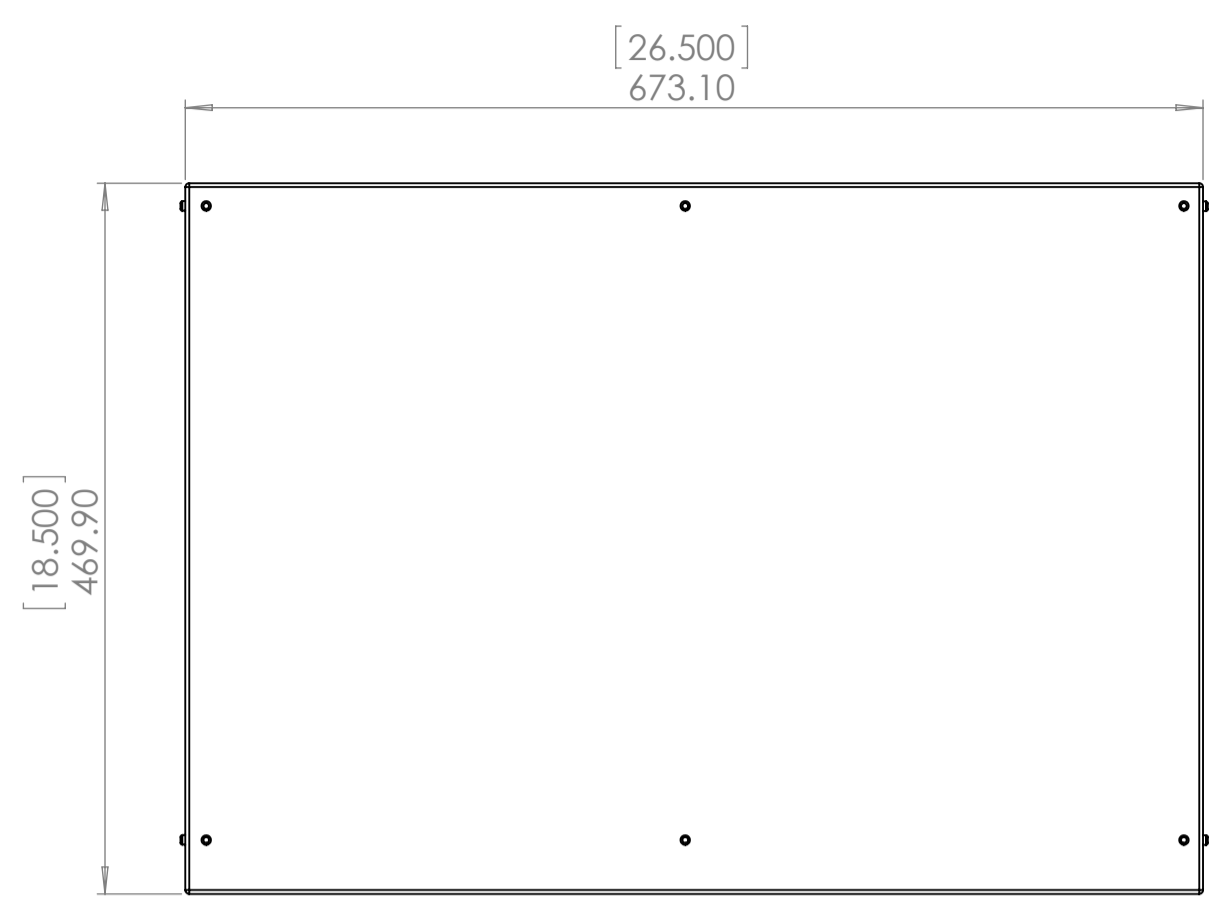
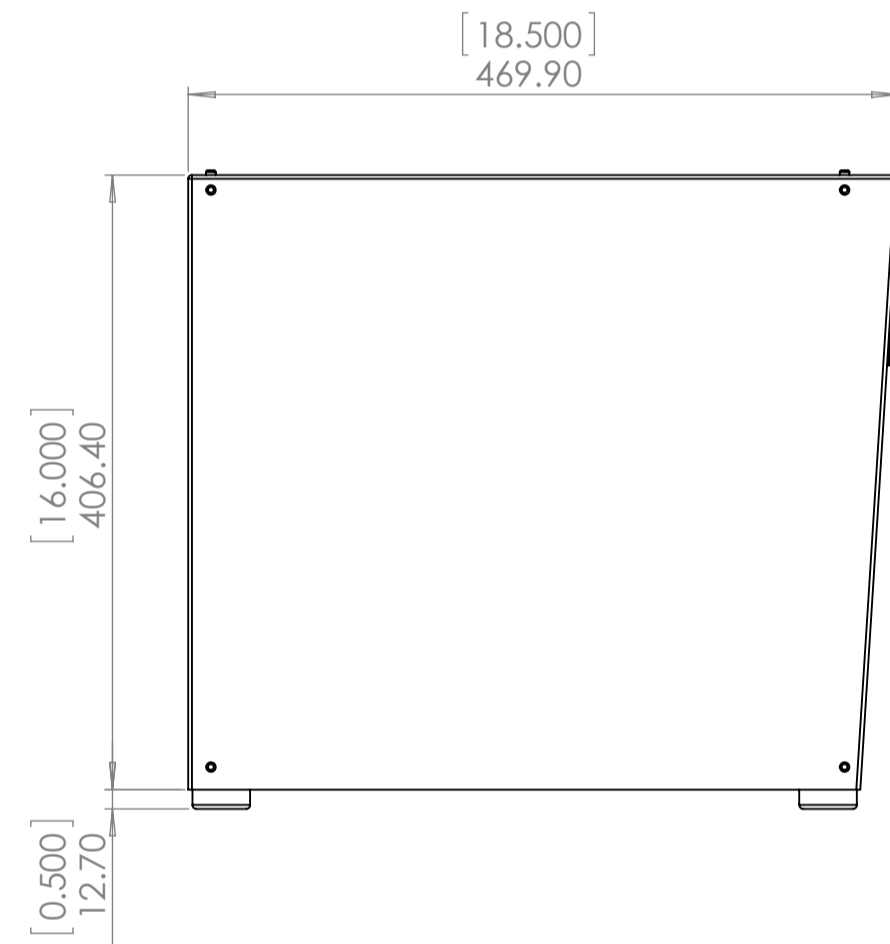
**RIGHT**





**LEFT**





UNLESS OTHERWISE SPECIFIED: DIMENSIONS ARE IN MILLIMETERS		FINISH:		DEBUR AND BREAK SHARP EDGES		DO NOT SCALE DRAWING		REVISION	
SURFACE FINISH:						ALDONEX, INC.			
TOLERANCES:						TITLE: ENCLOSURE			
LINEAR:									
ANGULAR:									
DRAWN	SO	NAME	SIGNATURE	DATE					
CHK'D	SO			5-30-19					
APP'VD:									
MPG									
Q.A.						MATERIAL: POLY	DWG NO.	#3 CABINET	A1
						WEIGHT:	SCALE: 1:5		SHEET 1 OF 1