

The contents of this Addendum alter and amend the drawings and specifications and take precedence over the related items therein. Bidders shall include the cost of all items in their Bids.

SPECIFICATIONS

1. **Section 011200, MULTIPLE CONTRACT SUMMARY, Page 011200-7, Delete line #25.**
2. **Section 095113, ACOUSTIC PANEL CEILINGS, Page 095113-7, PART 2 Products, ADD** the following:

"2.10 METAL EDGE MOLDINGS AND TRIM - "CLOUD TRIM"

- A. Basis-of-Design Product: Subject to compliance with requirements, provide Armstrong World Industries, Inc; "Axiom – Classic Trim" edge molding and components, or a comparable product by one of the following:
 1. CertainTeed Corporation.
 2. Chicago Metallic Corporation.
 3. USG Interiors, Inc.
- B. Extruded Aluminum Edge Moldings and Trim: Manufacturer's standard moldings for exposed edges of suspended ceiling systems designed to receive flanges of suspension-system runners.
 1. Install at exposed edges of acoustical panel ceilings indicated on project documents.
 2. Provide manufacturer's standard edge trim and components for a complete assembly designed to fit acoustical panel edge details and suspension systems indicated.
 - a. Extruded Aluminum Alloy 6063.
 - b. Provide factory mitered corners.
 3. Edge Profile: Manufacturer's standard 6 inch profile.
 4. Finish: Factory baked, polyester paint finish, color as selected by Architect from Manufacturer's selection of standard colors.
- C. Perimeter Trim System: Armstrong Industries, Inc. "Axiom Building Perimeter System", or comparable product by approved manufacturer.
 1. Manufactured extruded aluminum trim system providing trims and pockets for transition in materials and building elements.
 - a. Extruded Aluminum Alloy 6063.
 - b. Provide factory formed corners.
 2. Profile: Manufacturer's standard profile in heights as indicated on project documents.

3. Finish: Factory baked, polyester paint finish, color as selected by Architect from Manufacturer's selection of standard colors."
3. **Section 104413, FIRE PROTECTION CABINETS, Page 104413-4, PART 2 Products, ADD** the following:
 - "2.5 PORTABLE, HAND-CARRIED FIRE EXTINGUISHERS
 - D. Fire Extinguishers: Type, size, and capacity for each fire-protection cabinet indicated.
 1. Basis-of-Design Product: Subject to compliance with requirements, provide JL Industries, Inc.; a division of the Activar Construction Products Group; or a comparable product by one of the following:
 - a. Ansul Incorporated; Tyco International.
 - b. Guardian Fire Equipment, Inc.
 - c. Kidde Residential and Commercial Division.
 2. Instruction Labels: Include pictorial marking system complying with NFPA 10, Appendix B
 - E. Multipurpose Dry-Chemical Type: UL-rated 10 Pound nominal capacity, with monoammonium phosphate-based dry chemical in manufacturer's standard enameled container."
4. **Section 123216, MANUFACTURED PLASTIC-LAMINATE-FACED CASEWORK, Page 123216-3, 2.1 Manufacturers, Subparagraph A:** The following manufacturer shall be included in the list of comparable products.

"8. Advanced Cabinet Systems"

DRAWINGS

1. **Drawing CS-004, Code Summary and Life Safety Plan:** Include the following quantities of code required signage. The locations will be determined.
 - a. Type CS-1: Nine (9)
 - b. Type CS-2: Two (2)
 - c. Type CS-3: Two (2)
2. **Drawing AM-601, Schedules:** Detail 3 "Window Types", Remove reference "not used" above window type W2. Provide window W2, as per attached Supplemental Drawing SD-010, which is attached to and made a part of this Addendum.
3. **Drawing AM-701, Partial First Floor Reflected Ceiling Plan:** See Supplemental Drawing SD-008 for clarifications regarding the cloud detail in the library. This drawing is attached to and made a part of this Addendum.
4. **Drawing AM-701, Partial First Floor Reflected Ceiling Plan:** In the library, change keynote 9.51.1 to 9.51.2 as shown on Supplemental Drawing SD-009, which is attached to and made a part of this Addendum.

ADDENDUM NO. 4

MARCH 8, 2018

PAGE 3

5. **Drawing AM-701, Partial First Floor Reflected Ceiling Plan:** Keynote 11.52.7, remove reference to projector screen being supplied by Owner. Screen to be provided by the general contractor per specification.
6. **Drawing AH-103, Partial First Floor Dimension & Partition Plan:** Delete keynote 6.17.2.
7. **Drawing AH-601, Schedules:** Detail 1 "Window Types". The designation for window type W1 is changed to SF6 and is to be included as part of Detail 3 "Storefront Types". This window is to match the existing windows.
8. **Drawing AM-104, Partial Floor Plan:** ADD storefront type SF3 at the Assistant Principals Office 131B.6, as shown on supplemental drawing SD-011.

END.

MUHLENBERG GREENE ARCHITECTS, LTD.

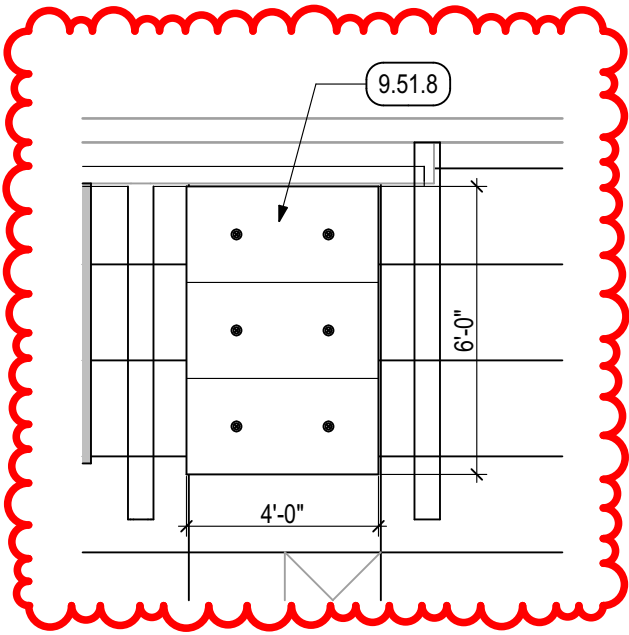
JAS/djc

Attachments:

- Supplemental Drawings SD-008 thru SD-011.

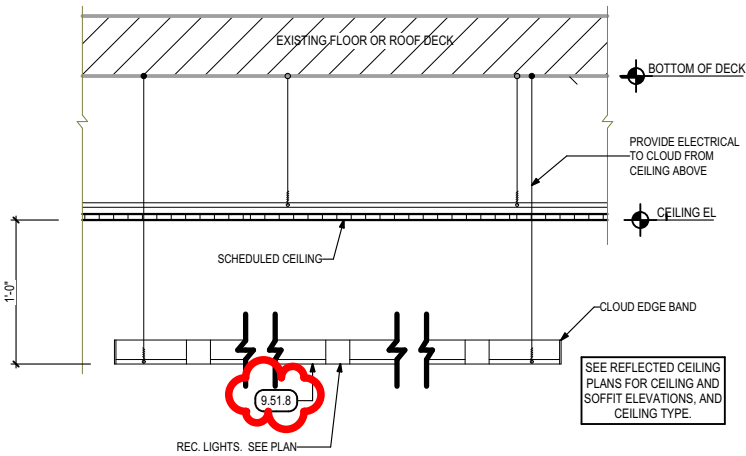
KEYED NOTES

- 09 FINISHES
- 9.51 ACOUSTIC CEILING PANELS|REFER TO SPEC. 095113
- 9.51.8 ACP-TYPE A: 2x4 SCORED TEGULAR WITH CLOUD TRIM



1 LIBRARY CLOUD DETAIL

SCALE: 1/4" = 1'-0"



2 LIBRARY CLOUD DETAIL

SCALE: 3/4" = 1'-0"

MIDDLE SCHOOL

MUHLENBERG SCHOOL DISTRICT
FACILITY SECURITY UPGRADES
 801 BELLEVUE AVENUE READING, PA 19605

SD-008

CEILING CLOUD DETAIL

PROJECT No: 4106
 SCALE: 1/4" = 1'-0", 3/4"
 REF. DWG.: AM-701
 DATE: 03/08/2018
 PROJ. MGR.: RC
 DRAWN BY: AM/SG/RC/JS

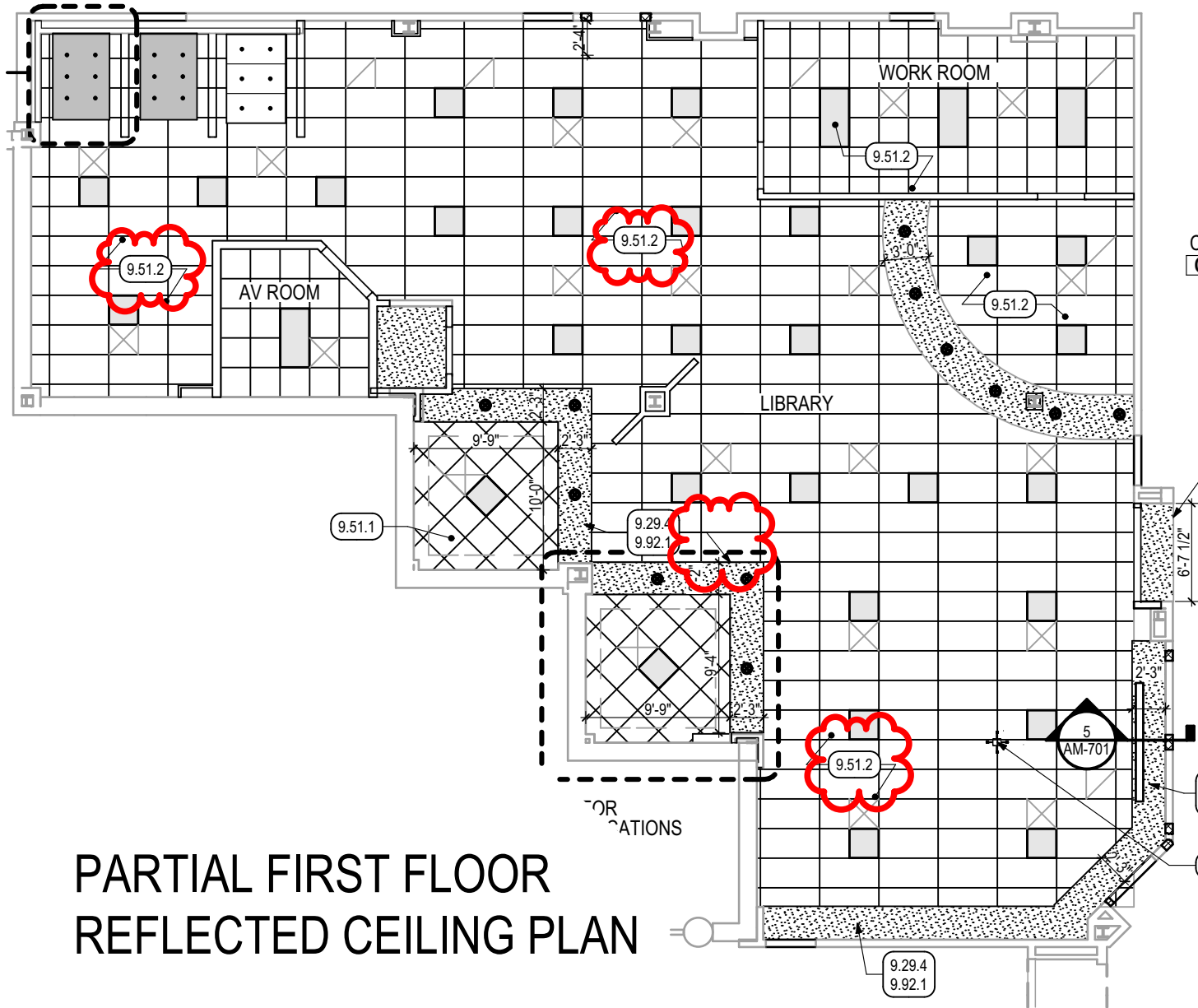
MGA
 ARCHITECTS, LLC
 955 BERKSHIRE BLVD. SUITE 101 WYOMISSING PA 19610
 P: 610.376.4927 F: 610.376.0720 www.mgarchitects-llc.com

Architectural Design
 Interior Design
 Code Analysis
 Planning Services
 Reports and Studies
 Engineering Services
 Historic Preservation

KEYED NOTES

- 09 FINISHES**
- 9.29 GYPSUM BOARD|REFER TO SPEC. 092900**
- 9.29.4 5/8" GYPSUM BOARD SOFFIT/BULKHEAD WITH NON-STRUCTURAL METAL STUD FRAMING. SEE DETAILS.
- 9.51 ACOUSTIC CEILING PANELS|REFER TO SPEC. 095113**
- 9.51.1 ACP-TYPE B: 2x2 SQUARE EDGE Refer to Spec 095113
- 9.51.2 ACP-TYPE A: 2x4 SCORED TEGULAR Refer to Spec 095113
- 9.51.5 REINSTALL SALVAGED CEILING TILE AND GRID IN AREA OF REMOVED CEILING TO ACCOMODATE NEW CONSTRUCTION. Refer to Spec 095113. Refer to Spec 095113
- 9.51.7 ACP-TYPE C: 2x4 SQUARE EDGE Refer to Spec 095113
- 9.92 INTERIOR PAINTING|REFER TO SPEC. 099123** Refer to Spec 095113
- 9.92.1 PREPARE AND PAINT (2 COATS) NEW GYPSUM BOARD CEILING AND SOFFITS. Refer to Spec 099123

- 11 EQUIPMENT** Refer to Spec 099123
- 11.52 EQUIPMENT**
- 11.52.6 OVERHEAD PROJECTOR MOUNT WITH POLE TO DECK ABOVE. BRACE POLE AS SHOWN.



PARTIAL FIRST FLOOR REFLECTED CEILING PLAN

1

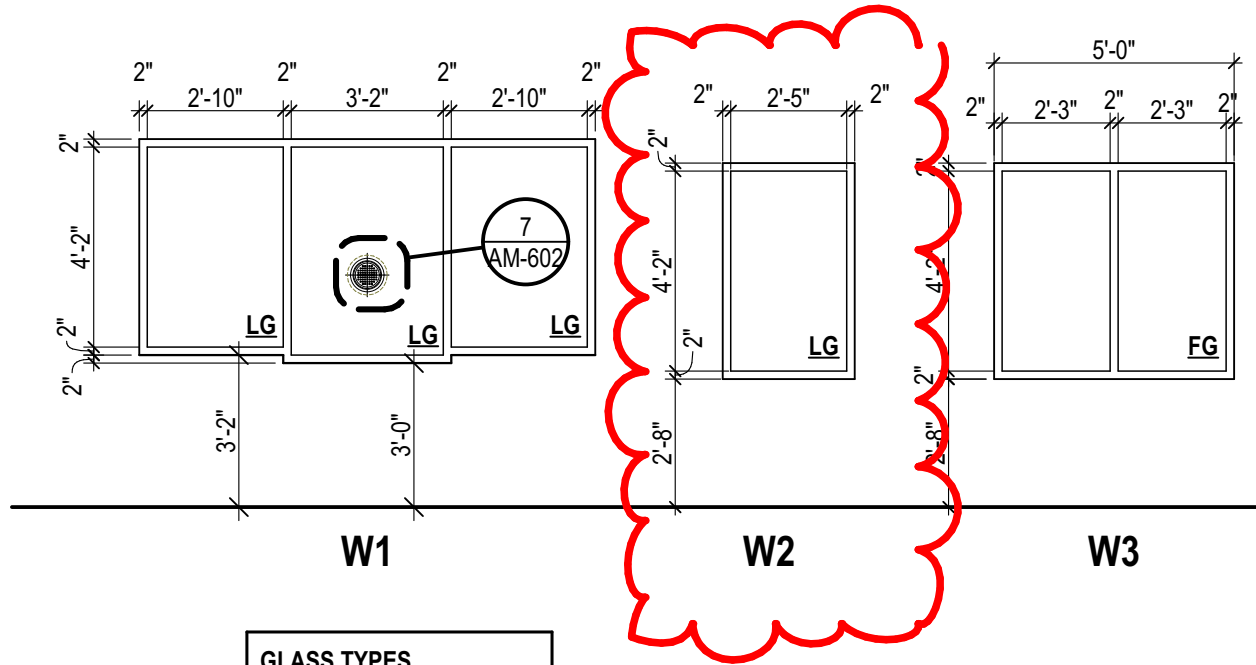
MIDDLE SCHOOL	
MUHLENBERG SCHOOL DISTRICT	
FACILITY SECURITY UPGRADES	
801 BELLEVUE AVENUE READING, PA 19605	
SD-009	CEILING PLAN
PROJECT No: 4106	SCALE: 3/32" = 1'-0"
REF. DWG.: AM-701	DATE: 03/08/2018
PROJ. MGR.: RC	DRAWN BY: AM/SG/R/J/S

MGA

MULHENSBERG GREENE
ARCHITECTS, LLC

955 BERKSHIRE BLVD. SUITE 101 WYOMISSING PA 19610
P: 610.376.4927 F: 610.376.0720 www.mgarchitects-llc.com

Architectural Design
Interior Design
Code Analysis
Planning Services
Reports and Studies
Engineering Services
Historic Preservation



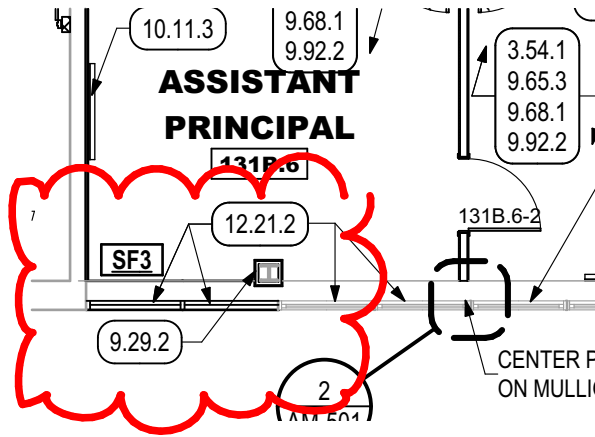
GLASS TYPES
 LG - LAMINATED GLAZING
 IG - INSULATED GLAZING
 FG - FIRE RATED GLAZING

MIDDLE SCHOOL	
MUHLENBERG SCHOOL DISTRICT	
FACILITY SECURITY UPGRADES	
801 BELLEVUE AVENUE READING, PA 19605	
SD-010	WINDOW SCHEDULE
PROJECT No: 4106	SCALE: 1/4" = 1'-0"
REF. DWG.: AM-601	DATE: 03/08/2018
PROJ. MGR.: RC	DRAWN BY: AM/SG/RC/JS

MGA
 ARCHITECTS, LLC

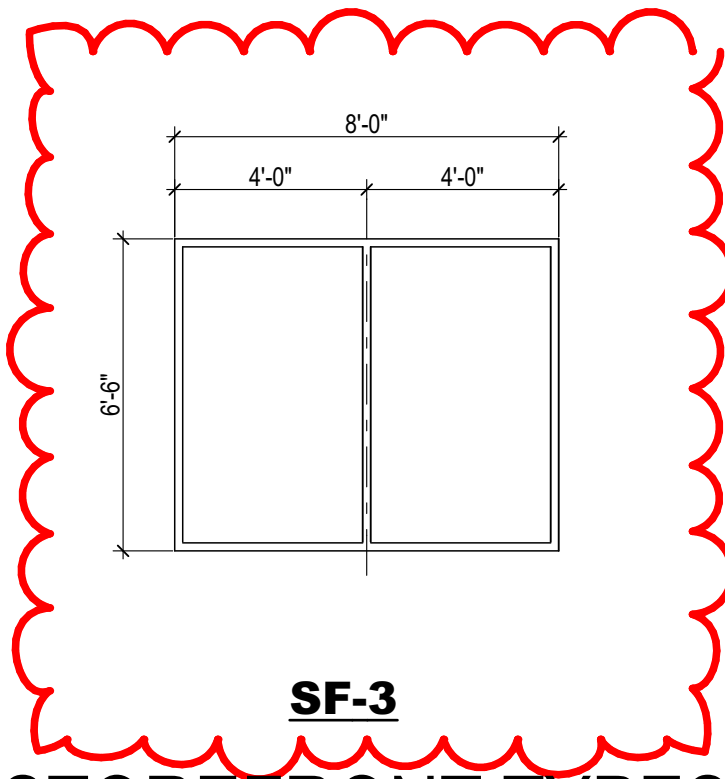
955 BERKSHIRE BLVD. SUITE 101 WYOMISSING PA 19610
 P: 610.376.4927 F: 610.376.0720 www.mgarchitects-llc.com

Architectural Design
 Interior Design
 Code Analysis
 Planning Services
 Reports and Studies
 Engineering Services
 Historic Preservation



1 PARTIAL FIRST FLOOR PLAN

SCALE: 1/8" = 1'-0"



4 STOREFRONT TYPES

SCALE: 1/4" = 1'-0"

MIDDLE SCHOOL

MUHLBERG SCHOOL DISTRICT
FACILITY SECURITY UPGRADES
 801 BELLEVUE AVENUE READING, PA 19605

SD-011

STOREFRONT TYPE

PROJECT No: 4106
 SCALE: 1/8" = 1'-0", 1/4"
 REF. DWG.: AM-104
 DATE: 03/08/2018
 PROJ. MGR.: RC
 DRAWN BY: AM/SG/RC/JS

MGA
 ARCHITECTS, LLC
 955 BERKSHIRE BLVD. SUITE 101 WYOMISSING PA 19610
 P: 610.376.4927 F: 610.376.0720 www.mgarchitects-llc.com

Architectural Design
 Interior Design
 Code Analysis
 Planning Services
 Reports and Studies
 Engineering Services
 Historic Preservation