



**AMERICAN ELECTRIC EQUIPMENT, INC.**

**P.O. BOX 710 BECKLEY, WV 25801**

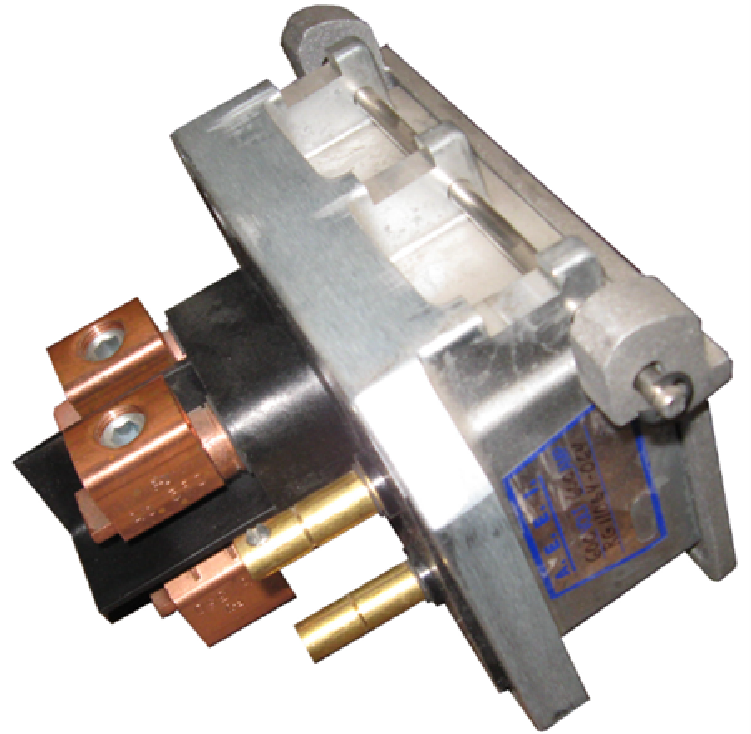
**PHONE: 304-255-7438**

**FAX: 304-255-7448**

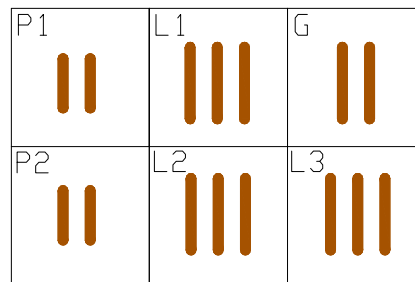
**RG11064-064**

Document A-13619

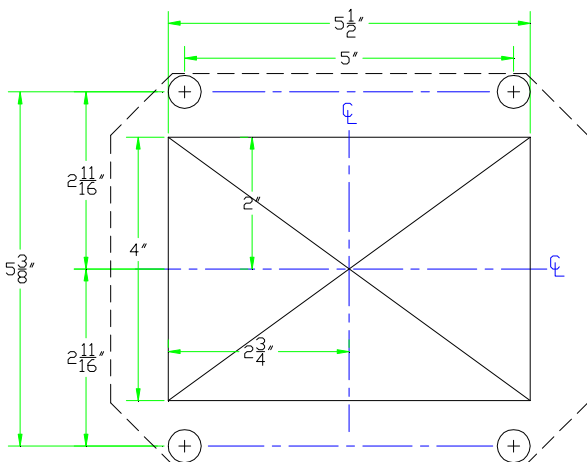
July 12, 2013



**PIN ARRANGEMENT  
600 AMP 600 VOLT**



**MOUNTING DIMENSIONS**



**Lever Action Connectors**

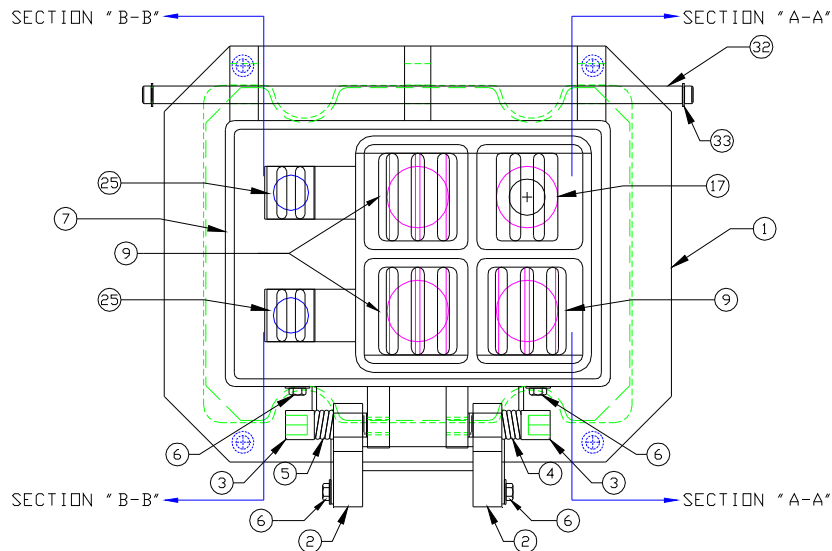
AEEI's low voltage figure 64 connectors are rugged, trouble free devices providing quick, confident connect/disconnect for portable mining equipment or self-propelled machinery. They are rated 600 Amperes at 600 VAC. Cable sizes range from #1/0 to 350 MCM.

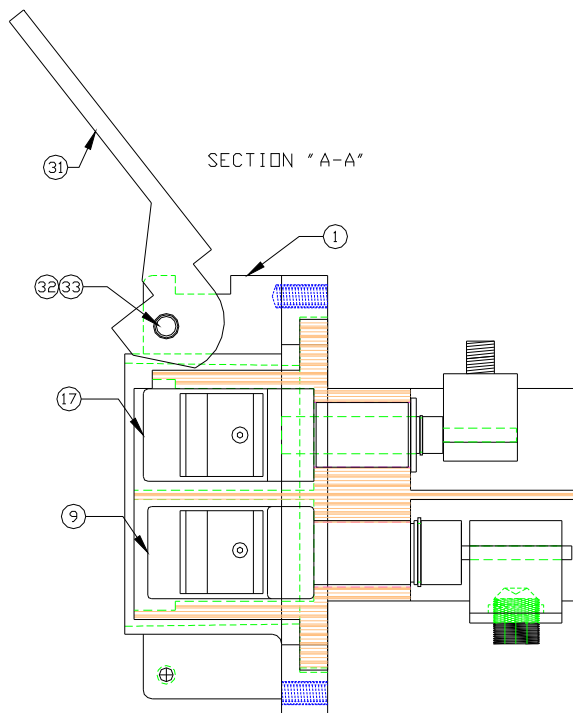
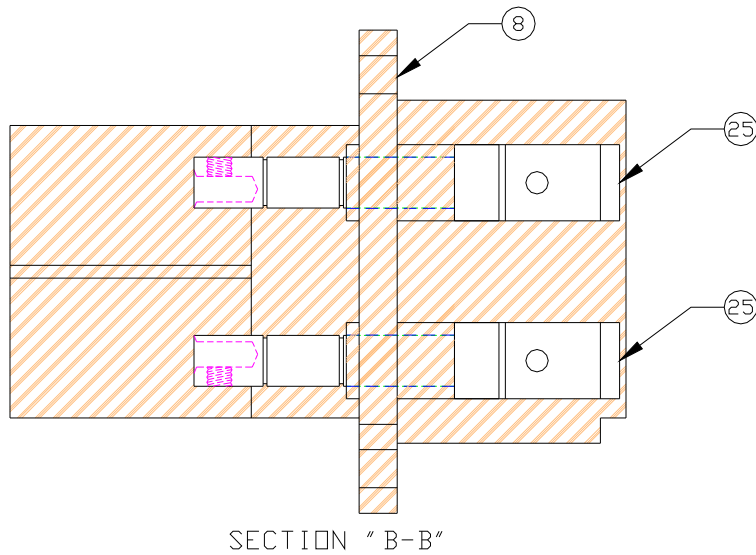
**Available Repair Parts List**

		<b>Part</b>	
<b>Item</b>	<b>Quantity</b>	<b>Number</b>	<b>Description</b>
1	1	12001	BASE
2	1	065-1	BOTTOM LATCH
3	2	074	SHOULDER BOLT
4	1	067	RIGHT HAND SPRING
5	1	067-1	LEFT HAND SPRING
6	4	2069-2	10/32 SLOTTED HEX HEAD SCREW 1/4" LONG
7	1	13363-1	IDENTIFICATION STICKER
8	1	12000	INSULATOR
9	3	13207	<b>POWER BLADE ASSEMBLY</b>
10	1	056-1	POWER BLADE AND STUD
11	1	2064	7/8" ROTOR CLIP
12	1	011	LARGE COUNTERSUNK NON THREADED CLIP
13	1	012	LARGE THREADED CLIP
14	1	592	COUNTERSUNK 10/32 ALLEN HEAD MACHINE SCREW 1-1/2" LONG
15	1	149	POWER TERMINAL
16	1	3305	5/8"-18 NF X 3/4" SET SCREW
17	1	13177	<b>GROUND BLADE ASSEMBLY</b>
18	1	13177-1	COPPER STUD
19	1	3653	COPPER BLADE
12	1	011	LARGE COUNTERSUNK NON THREADED CLIP
13	1	012	LARGE THREADED CLIP
14	1	592	COUNTERSUNK 10/32 ALLEN HEAD MACHINE SCREW 1-1/2" LONG
20	1	12746-3	FLAT WASHER
21	1	13177-2	GROUND STUD ADAPTER BUSHING
22	1	2064-2	1/2" ROTOR CLIP
23	1	102	GROUND TERMINAL
24	1	2694	7/16" - 20 NF X 3/4" SET SCREW
25	2	13208	<b>PILOT BLADE ASSEMBLY</b>
26	1	10937	PILOT BLADE AND STUD
27	2	2076-1	SMALL NON THREADED CLIP
28	1	2069-1	10/32 X 3/4" SLOTTED HEX HEAD SCREW
29	1	10940	10/32 LOCKNUT
22	1	2064-2	1/2" ROTOR CLIP
30	1	11473 or 2077-57	SLOTTED HEAD or ALLEN HEAD SET SCREW 1/4" - 20 x 1/2"
31	1	024-1	DUST COVER
32	1	10939-1	DUST COVER ROLL PIN
33	2	10938	E25 ROTOR CLIP

**Available Repair Kits**

Part Number	Qty.	Description	Drawing Number
024-1-KIT		<b>Complete Kit For 64 / 107 Receptacle</b>	
		<b>Parts Included In Kit</b>	
	1	DUST COVER	C-024-1
	1	ROLL PIN	A-10939-1
	2	ROTOR CLIP E-25	A-10938
	1	BOTTOM LATCH	A-065-1
	2	SHOULDER BOLT	A-074
	1	RIGHT HAND SPRING	A-067
	1	LEFT HAND SPRING	A-067-1
	4	10/32 SLOTTED HEX HEAD SCREW 1/4" LONG	A-2075 or A-2069-2
065-1-KIT		<b>Bottom Latch Kit For 64 / 107 Receptacle</b>	
		<b>Parts Included In Kit</b>	
	1	BOTTOM LATCH	A-065-1
	2	SHOULDER BOLT	A-074
	1	RIGHT HAND SPRING	A-067
	1	LEFT HAND SPRING	A-067-1
4	10/32 SLOTTED HEX HEAD SCREW 1/4" LONG	A-2075 or A-2069-2	
024-KIT		<b>Dust Cover Kit For 64 / 107 Receptacle</b>	
		<b>Parts Included In Kit</b>	
	1	DUST COVER	C-024-1
	1	DUST COVER ROLL PIN	A-10939-1
2	E25 ROTOR CLIP	A-10938	





## Features

- ✓ Single-piece, high grade insulator
- ✓ Aluminum housing
- ✓ All live exposed parts are completely enclosed by the metal housing
- ✓ Captive dust covers standard on gear mounted receptacle
- ✓ Minimum effort required to connect or disconnect electrical connections.
- ✓ The ground blade is always the last to break, first to make
- ✓ Ground check circuits make last, break first to insure phase connections are de-energized when connector opens
- ✓ Self-wiping contacts insure good electrical connections after each operation
- ✓ Interchangeable with other industry standard figure 64 receptacles