

Traffic Control Unit (TCU)

Thank you for purchasing this traffic control unit. This unit will add realism to your roads.

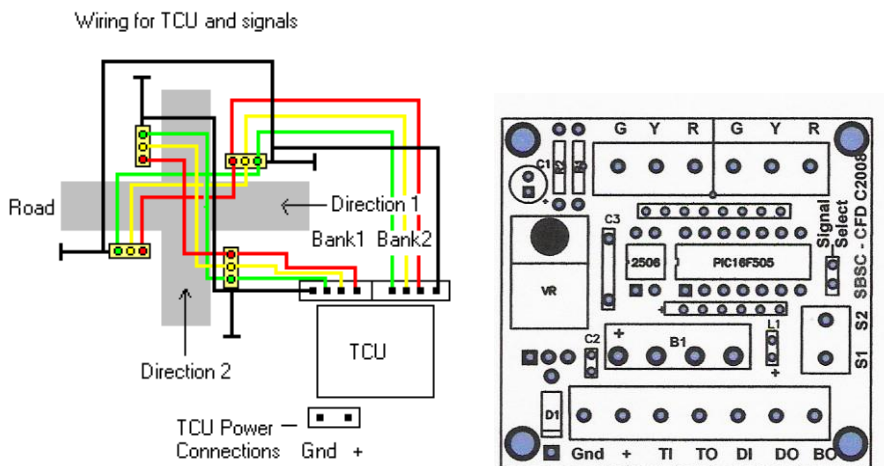
Description

This unit will operate SBSC's traffic lights as well as other traffic lights that use LEDs that have common anode (+) wiring. The unit has built in resistors for current limiting of the LEDs. The unit must be connected to a 9-18 volt DC power source.

The unit can control traffic lights in two directions (four-way intersection) as well as an intersection when only one direction is protected. Follow the instructions below to set up and use this unit.

Installation: Refer to Figure 1 to connect the Unit and signals to the intersection.

Figure 1



For one direction protection at an intersection, connect two signals to either Bank 1 or Bank 2. For two directions of travel connect one set of signals to Bank 1 and another set of signals to Bank 2.

Connect the signal's color wires to the corresponding terminal marked **G Y R** for each bank. Connect the white wire from the board to the white wires on the traffic signals. Connect a 12 volt DC power supply to Gnd (-) and power (+) to the terminals on the TCU.

Operation

The signals will automatically cycle through Green, Yellow, and Red on their own. For two-direction protection the signals of each direction will alternate between green and red just like the prototype!

Thanks for the purchase. Any question or comments contact:

E-mail: sbsignal@live.com

Address:

2303 Creek Rd.

Niles, MI 49120

Phone: 269-357-5221