

David A. DeHart  
312-4046

# GOTCHA

## PARTS/PRICE CATALOG

110



MODEL 4000 & 5000



18780 CRANWOOD PARKWAY • CLEVELAND, OHIO 44128  
MANUFACTURERS OF "ACTION" PRODUCTS

[6x6World.com](http://6x6World.com)

# TABLE OF CONTENTS

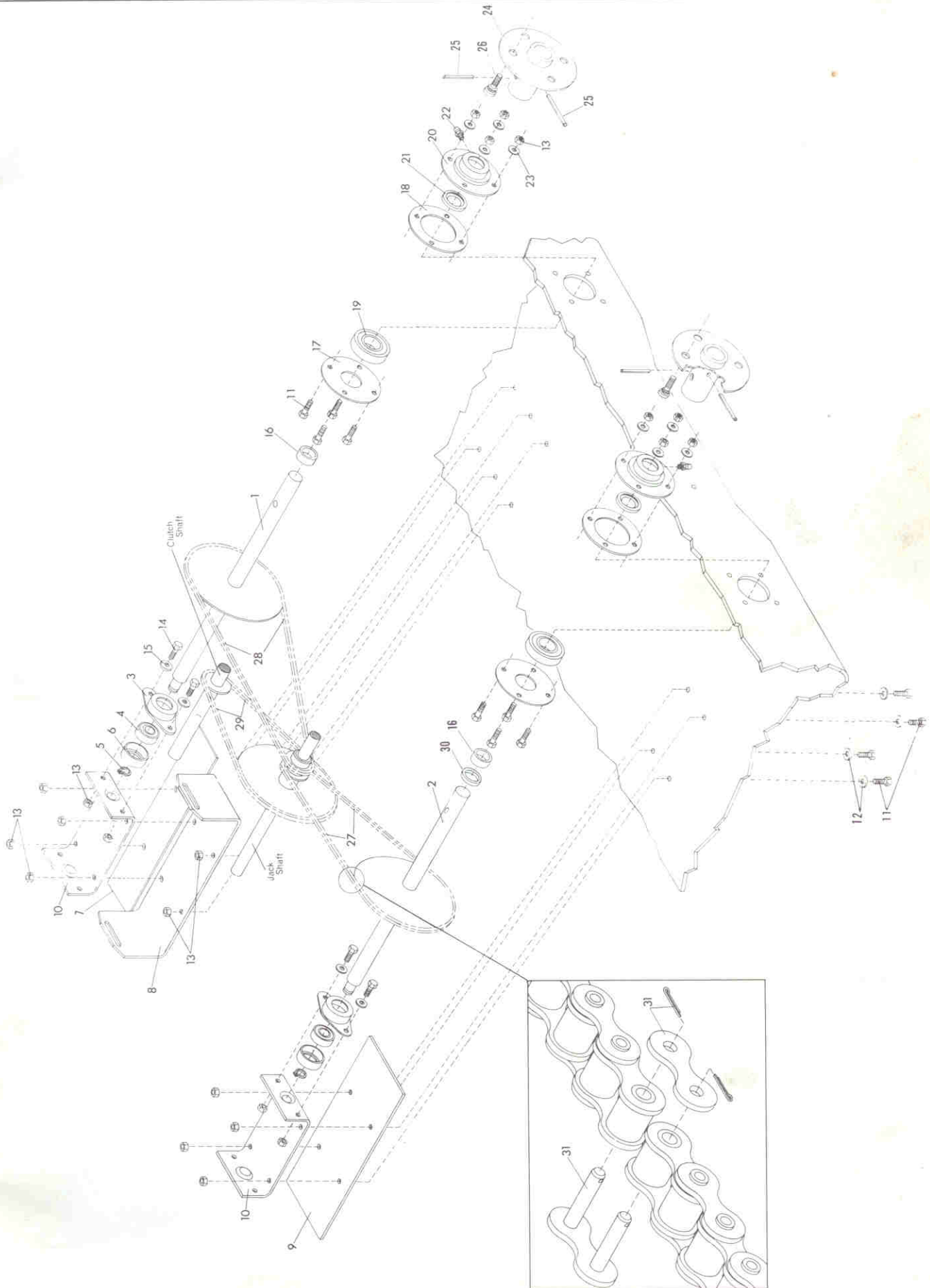
I	Axles, Chains and Mounting . . . . .	2
II	Body, Floor, Seat, Etc. . . . .	4
III	Clutch Shaft and Mounting . . . . .	6
IV	Engine and Mounting . . . . .	8
V	Fuel Tank and Mounting . . . . .	10
VI	Jackshaft and Mounting . . . . .	12
VII	Accelerator and Mounting . . . . .	14
VIII	Ignition and Choke Control - Model 4000 . . . . .	16
IX	Ignition and Choke Control - Model 5000 . . . . .	18
X	Muffler and Mounting . . . . .	20
XI	Steering and Mounting . . . . .	22
XII	Tires and Mounting . . . . .	24
XIII	Slave Cylinder Assemblies . . . . .	26
XIV	Master Cylinder Assemblies . . . . .	28
XV	Accessories . . . . .	34
	<b>Gotcha Price List . . . . .</b>	<b>31</b>

# AXLES, CHAINS, AND MOUNTING

REF. NO.	PART NO.	DESCRIPTION	NO. REQD.
1	102115	Axle - Rear	2
2	142430	Axle - Front	2
3	910023	Bearing Retainer	4
4	910011	Bearing	4
5	900254	Snap Ring	4
6	910010	Bearing Liner	4
7	102106	Plate - Rear	1
8	102118	Support - Engine Frame	1
9	102105	Plate - Front	1
10	102104	Support - Center	2
11	900022	5/16-18 x 1" Hex Head Cap Screw	30
12	900527	5/16" Brass Washer - Large	14
13	900406	5/16-18 Nylock Nut	38
14	900023	5/16-18 x 3/4" Hex Head Cap Screw	8
15	900525	5/16" Plain Washer	8
16	142432	Spacer	4
17	910001	Flange - Inner	4
18	910003	Gasket	4
19	910029	Bearing	4
20	910000	Flange - Outer	4
21	910012	Seal	4
22	900038	Grease Fitting	4
23	900526	5/16" Brass Washer - Small	16
24	142513	Wheel Hub	4
25	900025	5/16" x 2-1/2" Roll Pin	8
26	900433	Bolt 7/16-20 - Hub	16
27	145508	Chain Assembly - Jackshaft - Front	2
28	145509	Chain Assembly - Jackshaft - Rear	2
29	105504	Chain Assembly - Clutch to Jackshaft	2
30	142431	Spacer - Front	2
31	105507	Connecting Link	As Req'd.



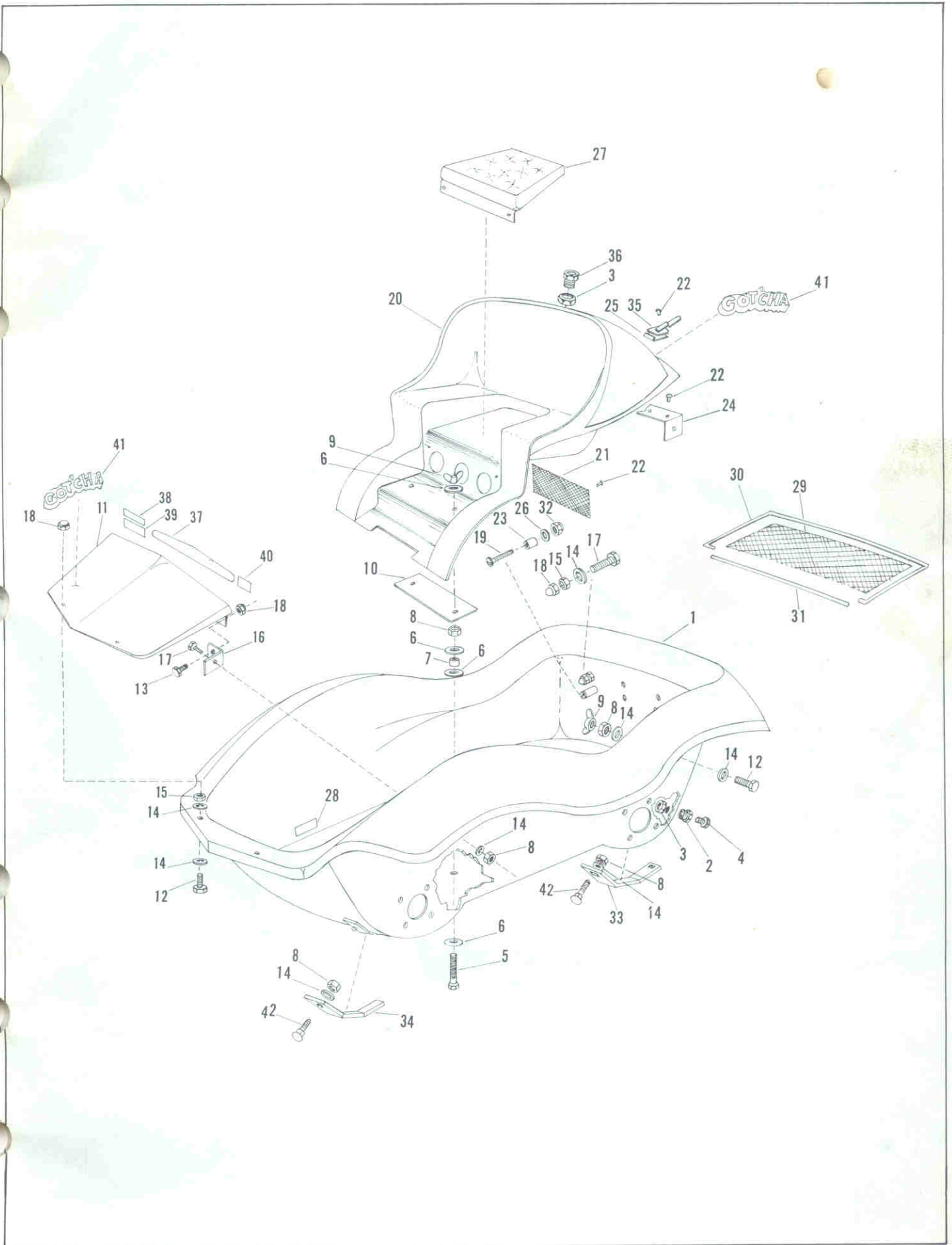
# AXLES, CHAINS, AND MOUNTING



# BODY, FLOOR, SEAT, ETC.

REF. NO.	PART NO.	DESCRIPTION	NO. REQD.
1	141401	Body	1
2	900435	Drain Inserts	2
3	900094	Nuts	3
4	900436	Pipe Plugs	2
5	900437	5/16-18 x 3-1/2 Hex Head Cap Screw	2
6	900448	Washers - Large	8
7	141183	Spacers	2
8	900406	5/16-18 Nylock Nut	14
9	109827	Wing Nuts	4
10	141184	Support Floor	1
11	141403	Hood	1
12	900022	5/16-18 x 1" Hex Head Cap Screw	4
13	900077	5/16-18 x 1/2" Hex Head Cap Screw	2
14	900526	5/16 Brass Washer - Small	17
15	900446	5/16"-18 Jam Nuts	5
16	108322	Clips - To Dash	2
17	900023	5/16-18 x 3/4 Hex Head Cap Screw	5
18	900344	5/16-18 Acorn Nut	7
19	900455	1/4"-20 x 1-1/2" Filster Head Screw	3
20	141405	Seat & Floor	1
21	141187	Screen	1
22	900067	Rivets	19
23	141178	Spacer	3
24	141180	Seat Support	1
25	141179	Retainer Clip	3
26	900523	1/4" Flat Washer	3
27	141431	Seat Cushion Assembly	1
28	101257	Water Decal	1
29	141407	Engine Cover Screen	1
30	141189	Molding	1
31	141197	Molding	1
32	900006	1/4"-20 Nut	3
33	141199	Trough Protector Rear	2
34	141198	Trough Protector Front	2
35	141181	Clip - Ludwig	3
36	101114	Eyelet - For Starter Rope (4000 Only)	1
37	141191	Dash Decal	1
38	141193	Serial No. Plate	1
39	141194	Fuel Decal	1
40	141195	Action Age Decal	1
41	141192	Got'cha Decal	2
42	900453	5/16"-18 x 3/4" Carriage Bolt	4

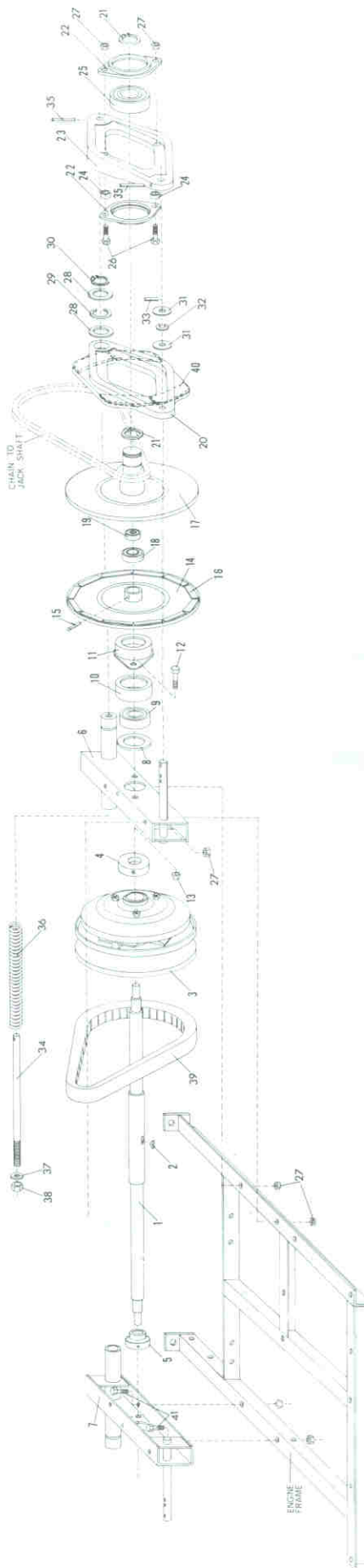
# BODY, FLOOR, SEAT, ETC.



# CLUTCH SHAFT AND MOUNTING

REF. NO.	PART NO.	DESCRIPTION	NO. REQD.
1	144401	Clutchshaft	1
2	900021	Woodruff Key	1
3	103503	Driven Pulley	1
4	900040	Locking Collar W/Set Screw	2
5	900440	Locking Collar W/Set Screw	2
6	104015	Support Weldment R.H.	1
7	104016	Support Weldment L.H.	1
8	900041	1-5/16" I.D. x 2-1/8" O.D. x 16 GA. Flat Washer	2
9	910026	Bearing	2
10	910031	Bearing Liner	2
11	910030	Bearing Retainer	2
12	900660	7/16-14 x 1" Hex Head Cap Screw	4
13	900403	7/16-14 Esna Nut	4
14	104050	Drive Disk Assembly	2
15	900106	3/16" x 1-1/4" Roll Pin	2
16	104040	Lining - Drive Disk Assembly	24
17	104003	Driven Disk Weldment	2
18	910017	Bearing	2
19	910018	Bearing	2
20	104042	Brake Arm Assembly	2
21	900253	Snap Ring	4
22	910013	Bearing Retainer	4
23	104010	Clutch Lever	2
24	104044	Bushing	4
25	910021	Bearing	2
26	900631	5/16-18 x 1-1/4" Hex Head Cap Screw	4
27	900401	5/16-18 Esna Nut	8
28	900042	1-1/32" I.D. x 1-1/2" O.D. x 16 GA. Flat Washer	4
29	900302	Adjusting Ring	As Reqd.
30	900252	Snap Ring	2
31	900043	17/32 I.D. x 1" O.D. x 16 GA. Flat Washer	4
32	900301	Adjusting Ring	As Reqd.
33	900105	1/8" x 3/4" Roll Pin	2
34	104005	Clutch Rod	2
35	900104	1/8" x 2" Roll Pin	4
36	104029	Clutch Spring	2
37	900044	13/32" I.D. x 11/16" O.D. x 12 GA. Flat Washer	2
38	900402	3/8-16 Esna Nut	2
39	103504	Drive Belt <i>25 SCRAMBLER • 88 W • 62 W</i>	1
40	104043	Lining - Brake Arm Assembly	8
41	900023	5/16-18 x 3/4" Hex Head Cap Screw	6
42	104070	Brake Spring (Not Shown)	2

# CLUTCH SHAFT AND MOUNTING





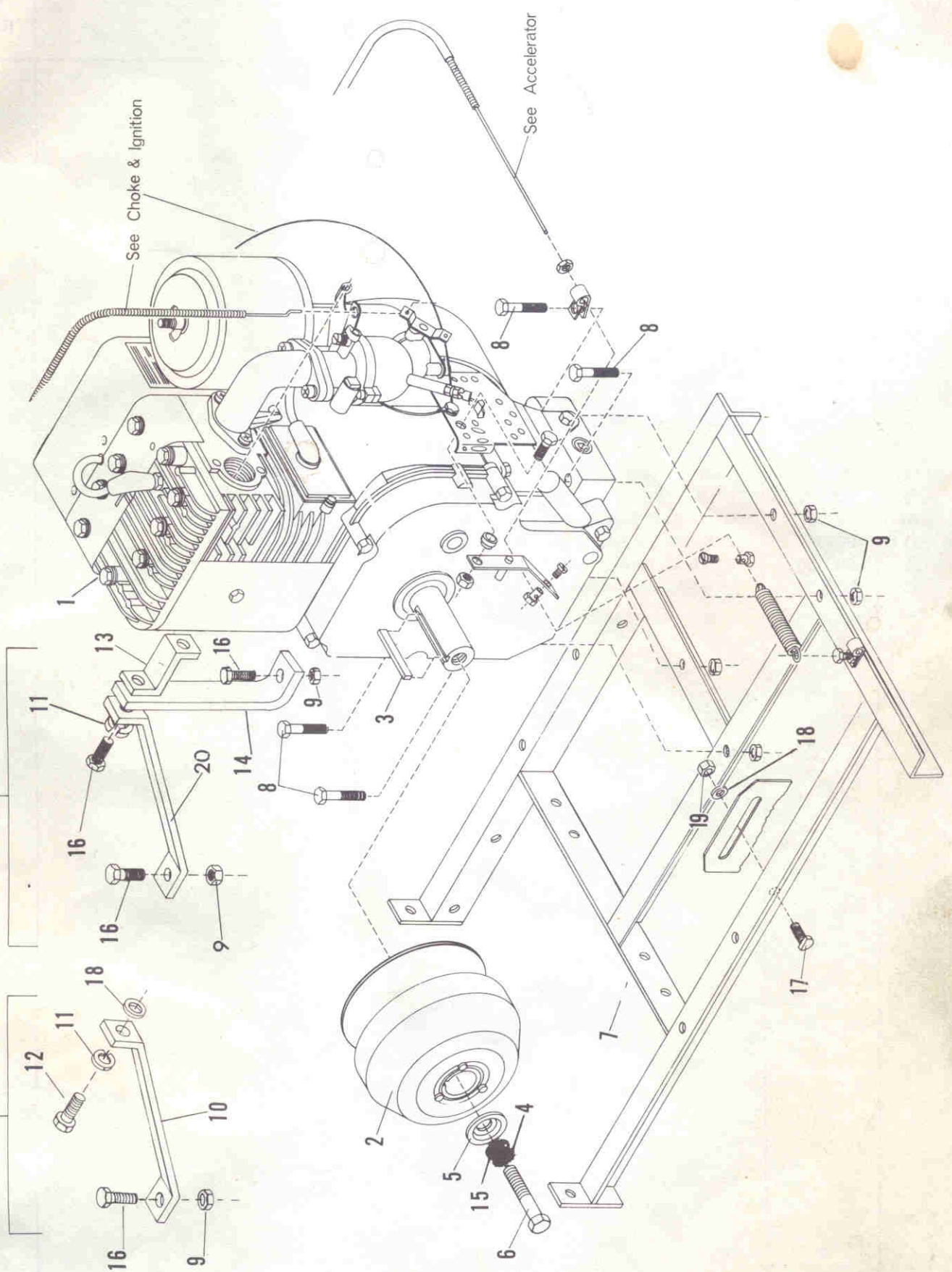
# ENGINE AND MOUNTING

REF. NO.	PART NO.	DESCRIPTION	NO. REQD.
1	143530	Engine 8 HP Manual Start (Model 4000 Only)	1
1	113500	Engine 8 HP Electric Start (Model 5000 Only)	1
2	103502	Drive Pulley	1
3	900039	Key - 1/8" x 1/4" x 2-1/2"	1
4	900002	7/16" External Tooth Lockwasher	1
5	103505	Retainer	1
6	900661	7/16-14 x 2-1/2" Hex Head Cap Screw	1
7	143040	Mounting Frame	1
8	900056	5/16-18 x 1-3/4" Hex Head Cap Screw	4
9	900401	5/16-18 Esna Nut	6
10	143041	Brace (Model 4000 Only)	1
11	900112	5/16" Split Lockwasher	1
12	900651	5/16-18 x 1" Hex Head Cap Screw	2
13	143043	Spacer (Model 5000 Only)	1
14	143044	Brace Stand (Model 5000 Only)	1
15	900569	7/16" Flat Washer	1
16	900022	5/16-18 x 1" Hex Head Cap Screw	2
17	900632	5/16-24 x 13/16" Oval Head Machine Screw	2
18	900525	5/16" Plain Washer	3
19	900404	5/16-24 Esna Nut	2
20	143042	Brace Angle (Model 5000 Only)	1

# ENGINE AND MOUNTING

MODEL 5000

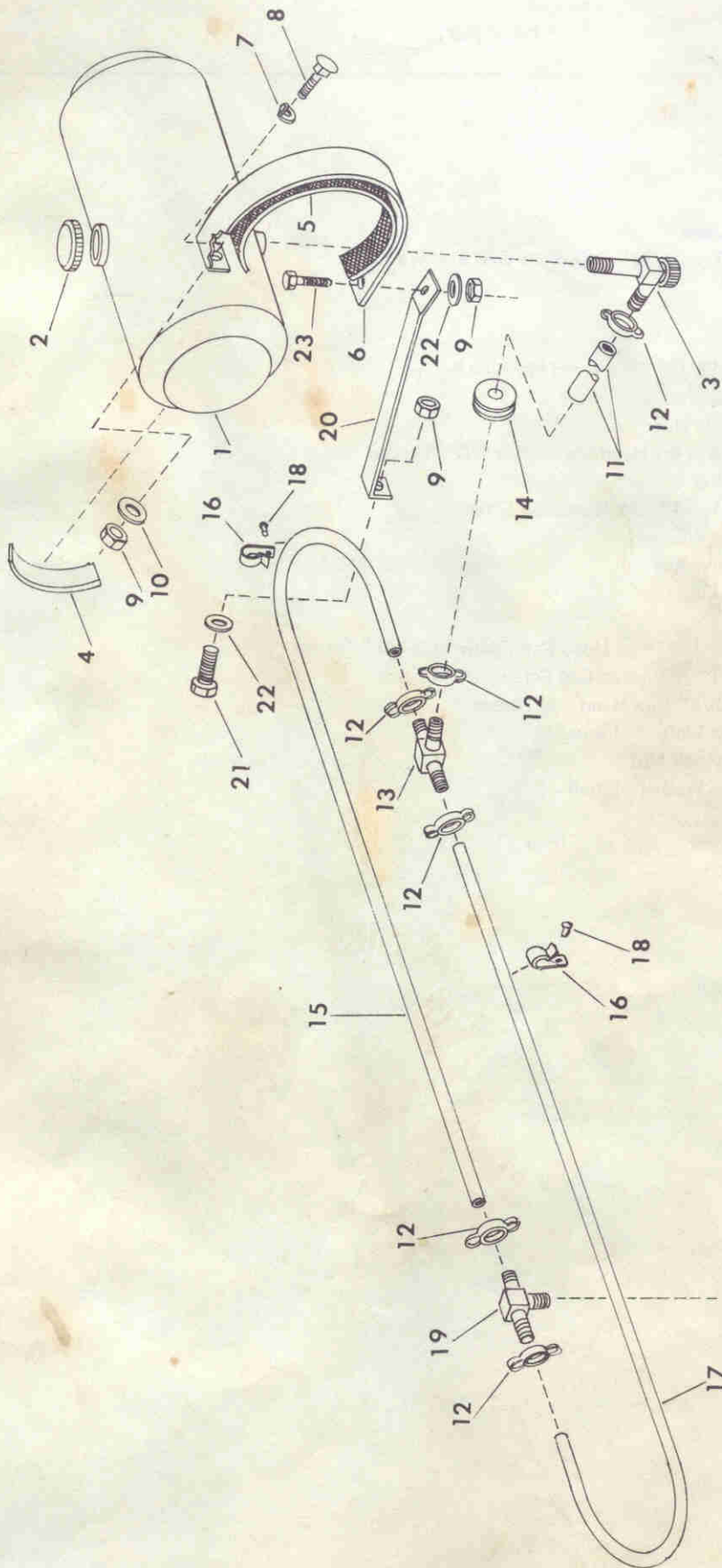
MODEL 4000



# FUEL TANK AND MOUNTING

REF. NO.	PART NO.	DESCRIPTION	NO. REQD.
1	147557	Fuel Tank Weldments	1
2	147560	Cap - Vented	1
3	107539	Valve - Strainer	1
4	147561	Pad - On Body	2
5	147563	Band - Extrusion	2
6	147562	Strap	2
7	900438	Washers Bent	2
8	900442	5/16-18 x 1-1/2 Carriage Bolt	2
9	900406	5/16-18 Nylock Nut	6
10	900448	Washer 11/32 x 1-3/8 x 1/8	2
11	147564	Hose Tank to Tee	1
12	900211	Clamps	6
13	900134	Tee Push-lok	1
14	101142	Gromets	2
15	147565	Hose Tee to Vent	1
16	900212	Clips	2
17	147566	Hose Tee to Carb.	1
18	900067	Rivet	2
19	900135	Tee Engine	1
20	147567	Brace - Fuel Tank	1
21	900007	5/16-18 x 3/4 Round Head Screw	2
22	900526	5/16 Brass Washer - Small	4
23	900022	5/16-18 x 1" Hex Head Cap Screw	2

# FUEL TANK AND MOUNTING

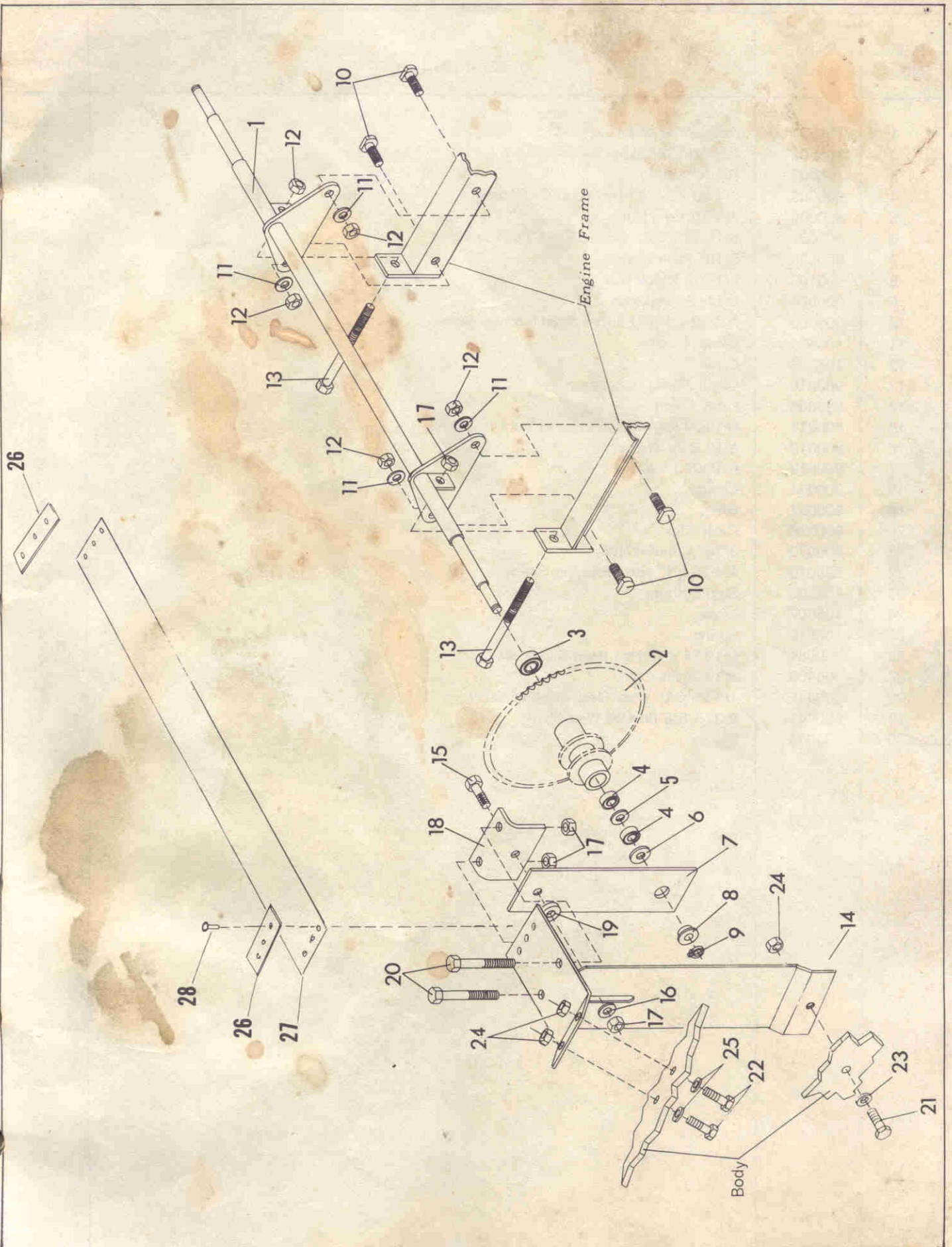




# JACKSHAFT AND MOUNTING

REF. NO.	PART NO.	DESCRIPTION	NO. REQD.
1	104511	Jackshaft	1
2	104604	Sprocket	2
3	910011	Bearing	2
4	910027	Bearing	4
5	900096	Bearing Spacer	2
6	900097	13/32" I.D. x 31/32" O.D. x 16 GA. Flat Washer	2
7	144617	Strap	2
8	104610	Bushing	2
9	900524	Snap Ring	2
10	900632	5/16-24 x 13/16" Oval Head Machine Screw	4
11	900525	5/16" Plain Washer	4
12	900404	5/16-24 Esna Nut	4
13	900629	5/16-24 x 4" Hex Head Cap Screw W/2" Thread	2
14	144618	Body Bracket	2
15	900650	5/16-18 x 1-1/4" Hex Head Cap Screw	2
16	900525	5/16" Plain Washer	2
17	900401	5/16-18 Esna Nut	8
18	104608	Angle Bracket	2
19	900098	Spacer	2
20	900036	5/16-18 x 2-1/2" Hex Head Cap Screw W/2-1/4" Thread	4
21	900022	5/16-18 x 1" Hex Head Cap Screw	2
22	900023	5/16-18 x 3/4" Hex Head Cap Screw	4
23	900527	5/16" Brass Washer - Large	2
24	900406	5/16-18 Nylock Nut	6
25	900526	5/16" Brass Washer - Small	4
26	101121	Strip	1
27	141196	Seat Strap	2
28	900067	Rivet 3/16"	6

# JACKSHAFT AND MOUNTING

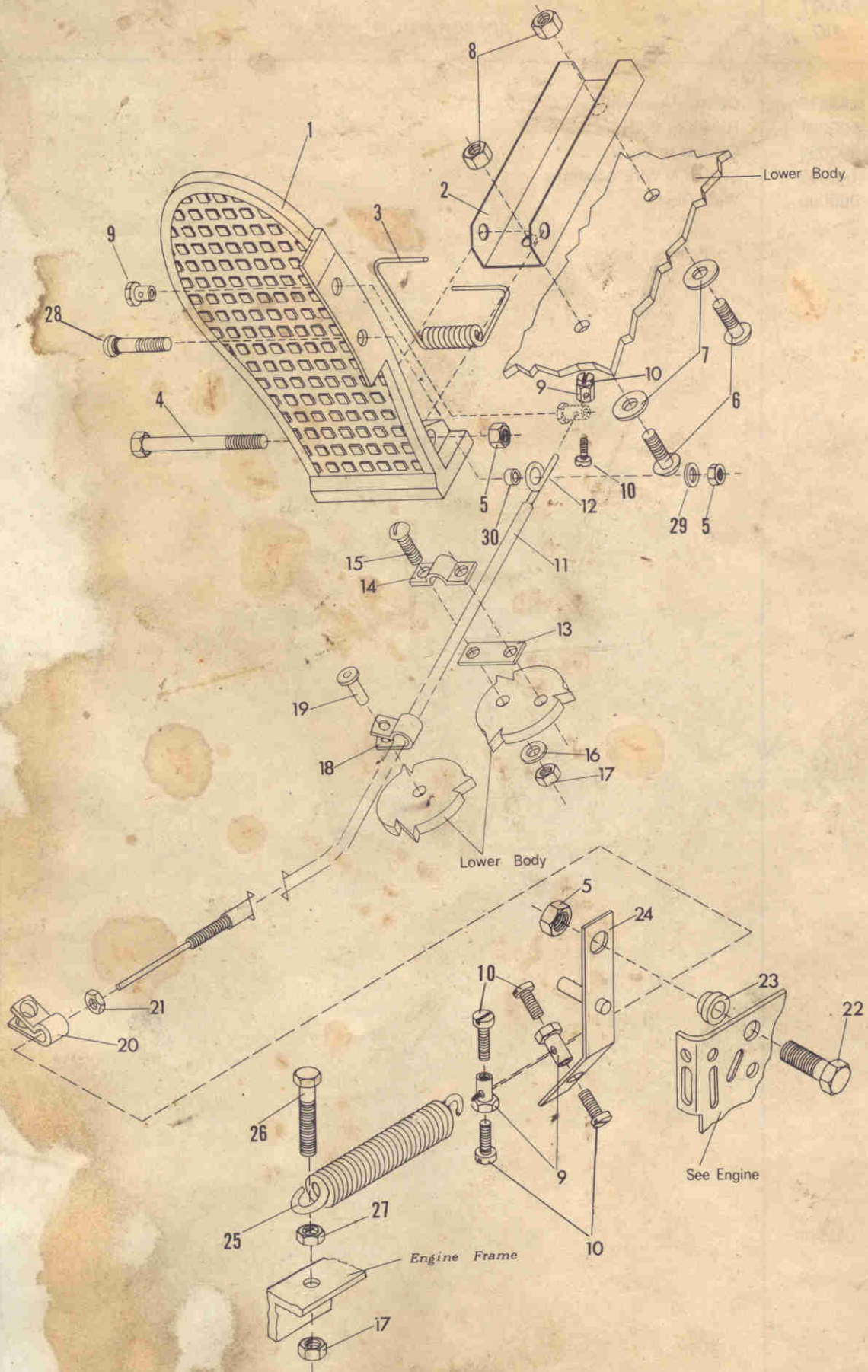




# ACCELERATOR AND MOUNTING

REF. NO.	PART NO.	DESCRIPTION	NO. REQD.
1	106501	Accelerator Pedal	1
2	106502	Mounting Bracket	1
3	106503	Return Spring	1
4	900005	1/4-20 x 2-3/4" Hex Head Cap Screw	1
5	900006	1/4-20 Esna Nut	3
6	900007	5/16-18 x 3/4" Round Head Machine Screw	2
7	900529	5/16" Plain Washer	2
8	900406	5/16-18 Nylok Nut	2
9	900004	Cable Swivel Body	4
10	900003	#8/32 x 1/4" Fillister Head Machine Screw	6
11	106504	Cable Housing	1
12	106505	Cable	1
13	900010	Clamp Plate	1
14	900009	Cable Clamp	1
15	900011	#10-24 x 3/4" Round Head Machine Screw	2
16	900012	#10 Brass Washer	2
17	900013	#10-24 Esna Nut	3
18	900051	Clamp	3
19	900067	Rivet	3
20	900078	Cable Clip	1
21	900079	3/16" Conduit Nut	1
22	900018	1/4-20 x 1" Hex Head Cap Screw	1
23	106508	Step Bushing	1
24	106507	Lever	1
25	106510	Spring	1
26	900084	#10-24 x 1" Hex Head Cap Screw	1
27	900408	#10-24 Hex Nut	1
28	900445	1/4-20 x 1" Truss Head Machine Screw	1
29	900441	9/32 x 5/8 Beveled Washer	1
30	104044	Spacer	1

# ACCELERATOR AND MOUNTING



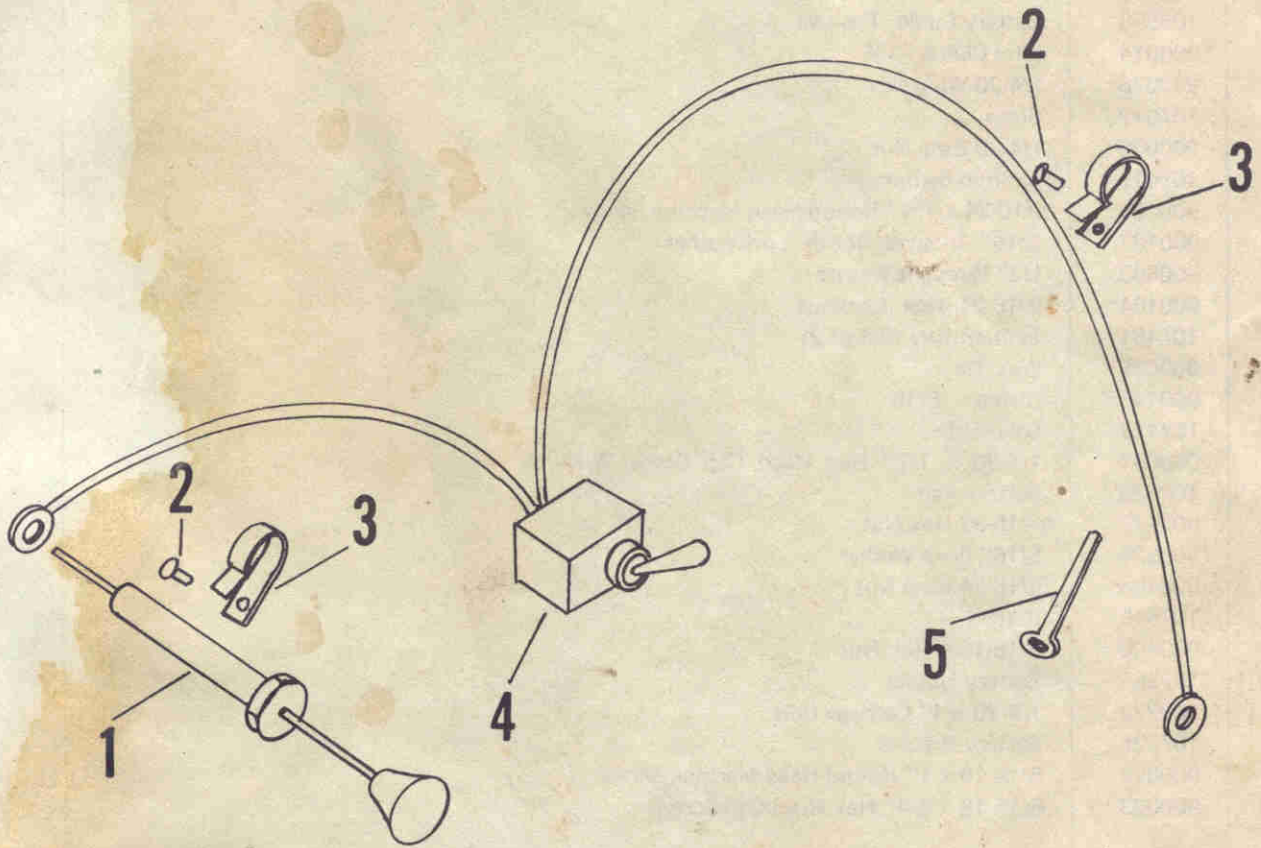


# IGNITION AND CHOKE CONTROL

MODEL 4000 ONLY

REF. NO.	PART NO.	DESCRIPTION	NO. REQD.
1	146518	Control Assembly	1
2	900067	Rivets to Body	2
3	900051	Clamps to Body	2
4	146569	Switch & Wire Assembly	1
5	900095	Wire Ties	3

# IGNITION AND CHOKE CONTROL



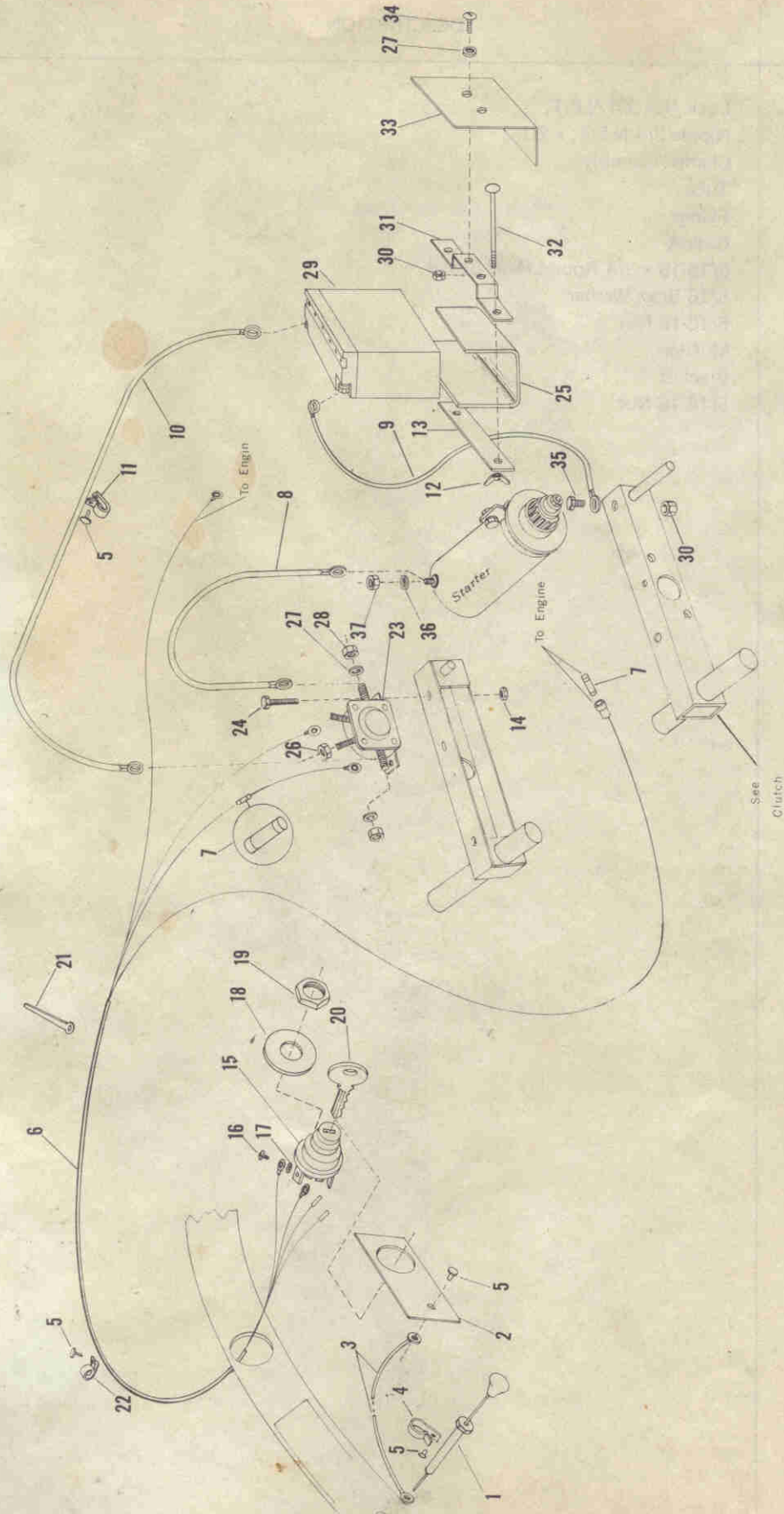


# IGNITION AND CHOKE

MODEL 5000 ONLY

REF. NO.	PART NO.	DESCRIPTION	NO. REQD.
1	146518	Choke Control Assembly	1
2	107419	Ground Plate	1
3	147470	Wire Ground	1
4	900051	Clamp - 3/16	2
5	900067	Rivet	2
6	147469	Wiring Harness	1
7	126565	Fuse	1
8	146571	Starter Cable	1
9	106555	Battery Cable - Negative	1
10	106558	Battery Cable - Positive	1
11	900014	Wire Clamp - 1/4	1
12	900076	1/4-20 Wing Nut	2
13	107512	Strap	1
14	900006	1/4-20 Esna Nut	4
15	107413	Ignition Switch	1
16	900180	#10-24 x 1/4" Round Head Machine Screw	1
17	900187	3/16" Internal Tooth Lockwasher	1
18	900563	1/2" Wrought Washer	1
19	900164	9/16-24 Hex Locknut	1
20	107461	Ignition Key (Set of 2)	2
21	900095	Wire Tie	6
22	900115	Clamp - 5/16	1
23	107417	Solenoid	1
24	900091	1/4-20 x 1/2" Hex Head Cap Screw W/Nylok	2
25	107528	Battery Pad	1
26	900177	#10-32 Hex Nut	1
27	900525	5/16" Plain Washer	4
28	900404	5/16-24 Esna Nut	2
29	107515	Battery	1
30	900406	5/16-18 Nylok Nut	3
31	107505	Battery Holder	1
32	900222	1/4-20 x 4" Carriage Bolt	2
33	107525	Battery Bracket	1
34	900024	5/16-18 x 1" Round Head Machine Screw	2
35	900023	5/16-18 x 3/4" Hex Head Cap Screw	1

# IGNITION AND CHOKE

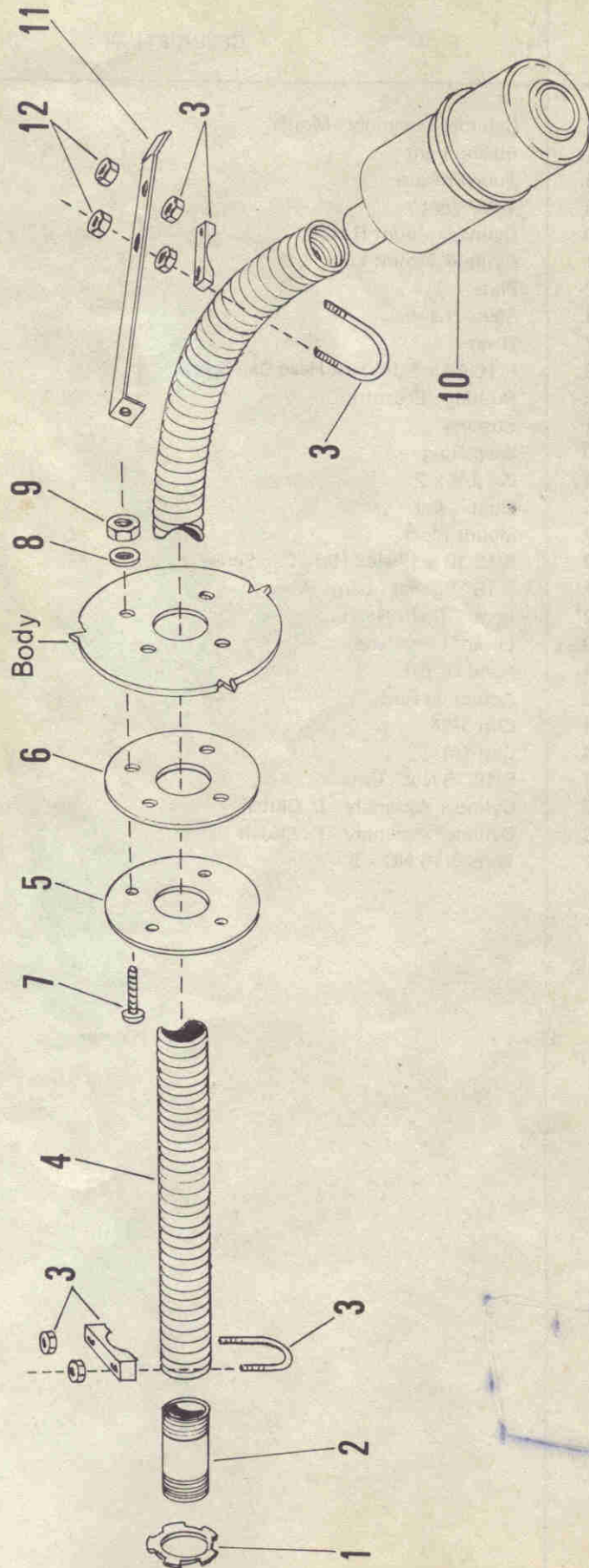




# MUFFLER AND MOUNTING

REF. NO.	PART NO.	DESCRIPTION	NO. REQD.
1	900102	Lock Nut 3/4 N.P.T.	1
2	147013	Nipple 3/4 N.P.T. x 2-1/2	1
3	900110	Clamp Assembly	2
4	147012	Tube	1
5	910001	Flange	1
6	147011	Gasket	1
7	900007	5/16-18 x 3/4 Round Head Screw	4
8	900526	5/16 Brass Washer	4
9	900406	5/16-18 Nut	4
10	107001	Muffler	1
11	147034	Bracket	1
12	900109	5/16-18 Nut	2

# MUFFLER AND MOUNTING

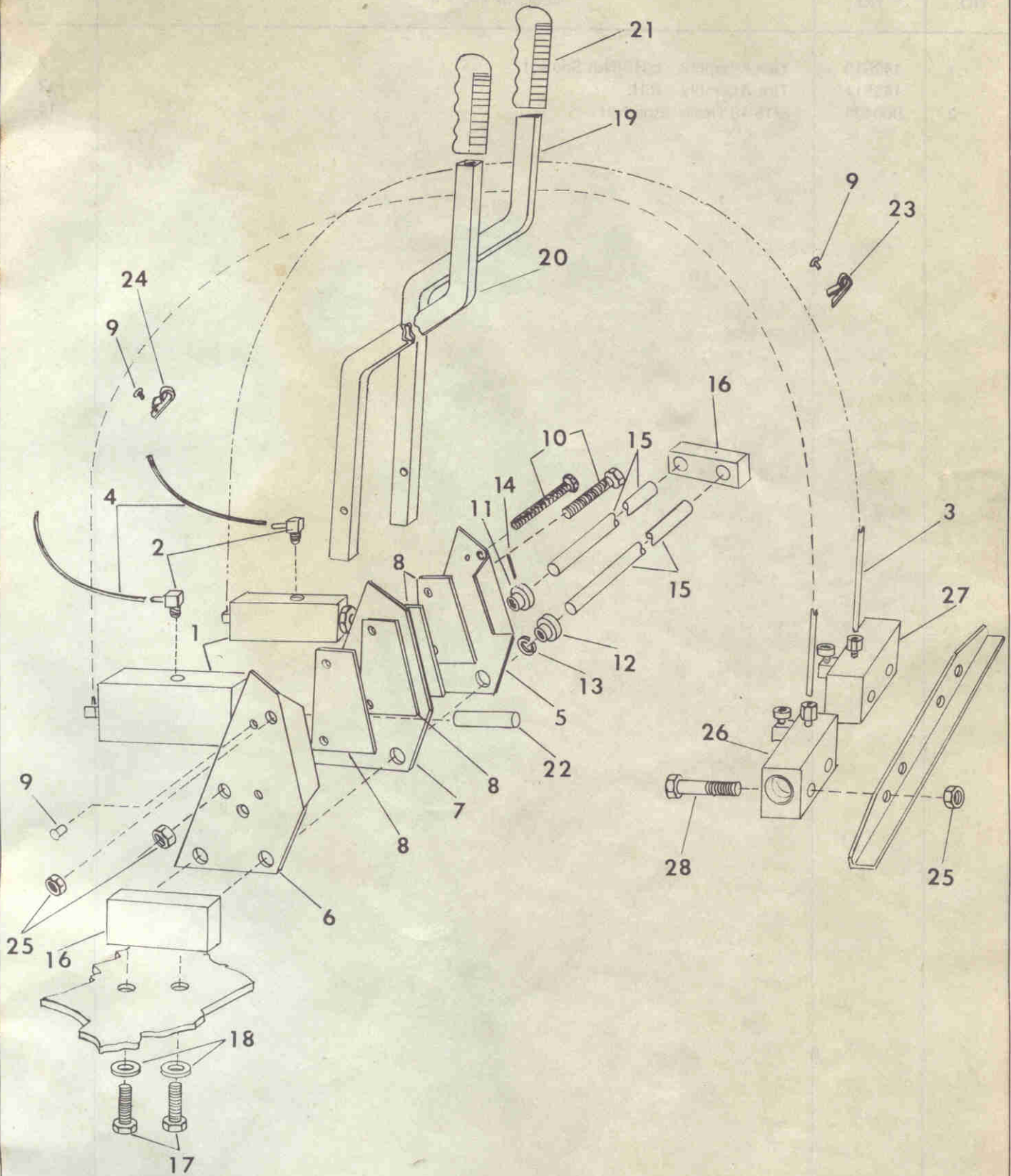


# STEERING AND MOUNTING

REF. NO.	PART NO.	DESCRIPTION	NO. REQD.
1	106321	Cylinder Assembly - Master	2
2	900124	Fitting Vent	2
3	146338	Tube Pressure	2
4	146339	Tube Vent	2
5	146330	Cylinder Mount R.H.	1
6	146331	Cylinder Mount L.H.	1
7	146332	Plate	1
8	146334	Shim - Lever	4
9	900067	Rivet	16
10	900449	5/16-18 x 2-3/4 Hex Head Cap Screw	3
11	146336	Bushing - Eccentric	2
12	146341	Bushing	2
13	900450	Snap Ring	4
14	900104	Pin 1/8 x 2	2
15	146335	Guide - Bar	2
16	146337	Mount Block	2
17	900022	5/16-18 x 1" Hex Head Cap Screw	4
18	900527	5/16" Washer - Large Brass	4
19	146342	Lever - Right Hand	1
20	146343	Lever - Left Hand	1
21	106314	Hand Grip	2
22	146340	Actuating Rod	2
23	900051	Clip 3/16	8
24	900014	Clip 1/4	2
25	900401	5/16-18 Nut - Esna	7
26	126405	Cylinder Assembly - L. Clutch	1
27	126406	Cylinder Assembly - R. Clutch	1
28	900057	Bolts 5/16 NC x 2	4



# STEERING AND MOUNTING

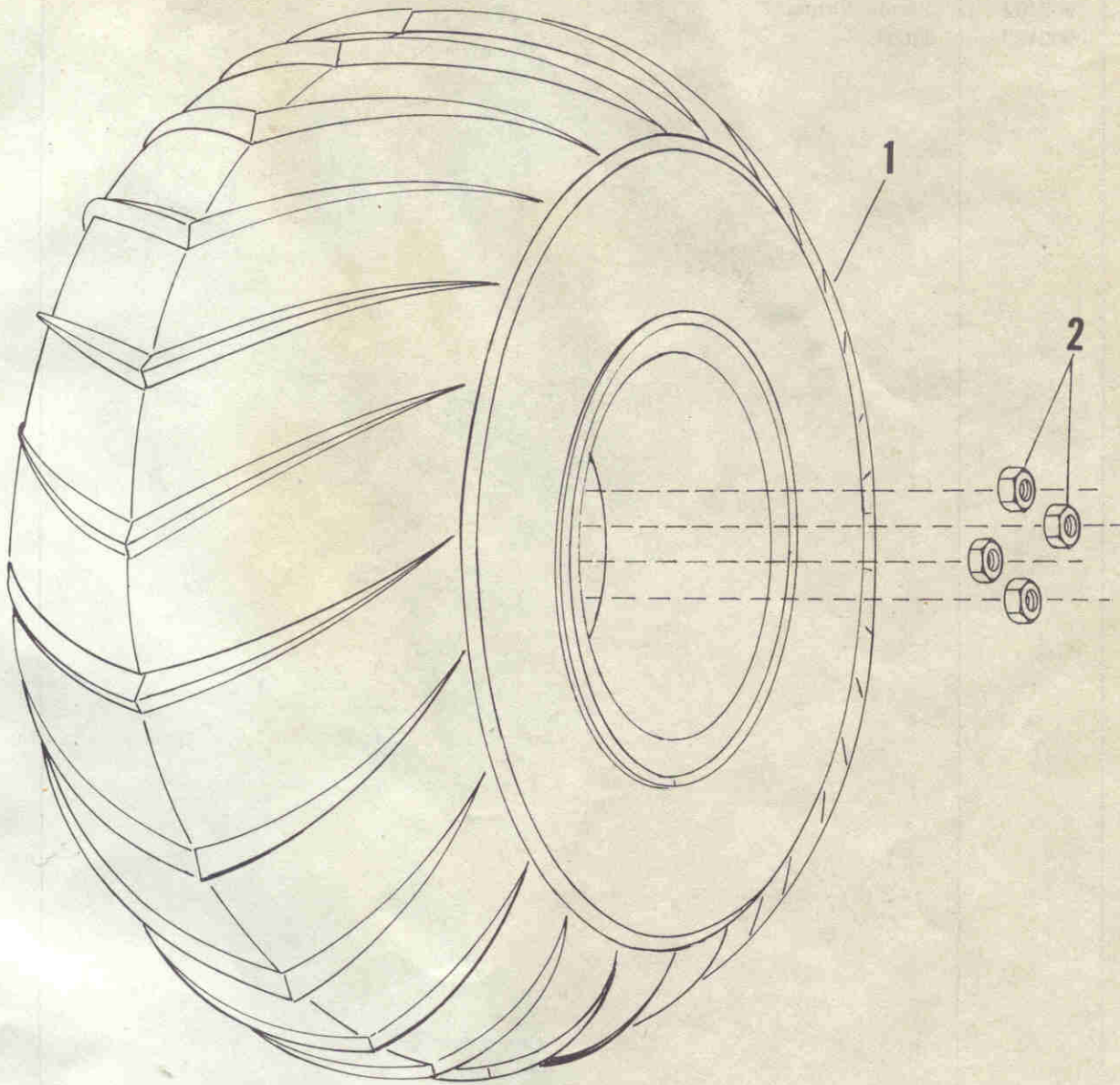


# TIRES AND MOUNTING

REF. NO.	PART NO.	DESCRIPTION	NO. REQD.
1	142510	Tire Assembly - L.H. (Not Shown)	2
	142511	Tire Assembly - R.H.	2
2	900434	5/16-18 Heavy Esna Nut	16



# TIRES AND MOUNTING

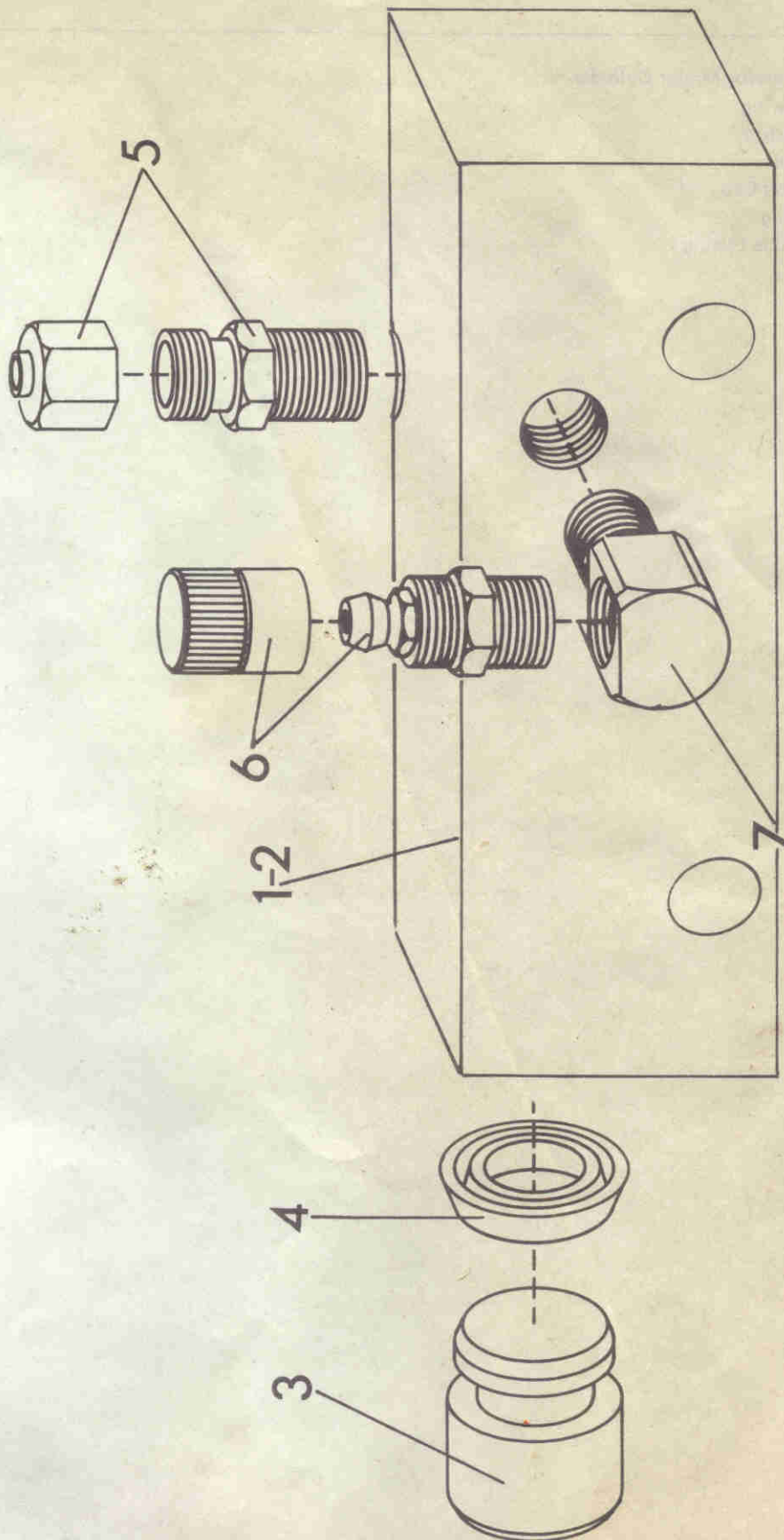




# SLAVE CYLINDER ASSEMBLIES

REF. NO.	PART NO.	DESCRIPTION	NO. REQD.
1-2	126402	Steering Slave Cylinder - L.H. (Not Shown)	1
1-2	126403	Steering Slave Cylinder - R.H.	1
3	106251	Piston	1
4	910037	Seal	1
5	900122	Tube Fitting	1
6	900132	Bleeder Fitting	1
7	900133	Elbow	1

# SLAVE CYLINDER ASSEMBLIES

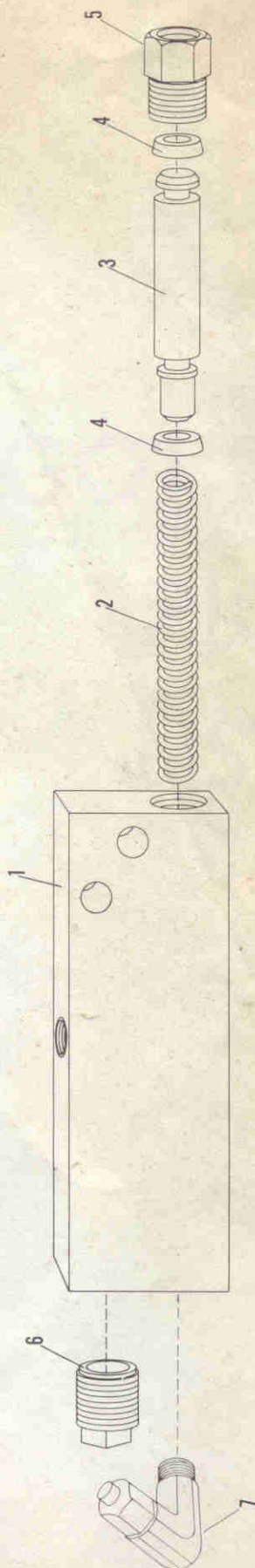


# MASTER CYLINDER ASSEMBLIES

REF. NO.	PART NO.	DESCRIPTION	NO. REQD.
1	106232	Steering Master Cylinder	2
2	106229	Spring	1
3	106230	Piston	1
4	910036	Seal	2
5	108302	End Cap	1
6	900126	Plug	1
7	900120	Tube Fitting	1



# MASTER CYLINDER ASSEMBLIES





# GOT'CHA PRICE LIST



# GOT'CHA PARTS/PRCE LIST

Part No.	Description	List Price	Part No.	Description	List Price
101114	Eyelet	1.25	107525	Battery Bracket	1.95
101115	Pad	.40	107528	Battery Pad	1.30
101121	Strip	.40	107539	Valve Strainer	1.35
101142	Gromets	.40	108302	End Cap	.98
101257	Decal Water	.50	108322	Clip	.60
102104	Support Center	2.75	109827	Wing Nut	.21
102105	Plate Front	2.95			
102106	Plate Rear	2.50			
102118	Support Engine	4.95			
102115	Axle Rear	19.95			
102502	Drive Pulley	60.00			
103503	Driven Pulley	52.00			
103504	Drive Belt	9.95	126402	Steering Slave Cyl. L.H.	6.95
103505	Retainer	.75	126403	Steering Slave Cyl. R.H.	6.95
104003	Driven Disc Weldment	15.95	126405	Cylinder Assembly Left Clutch	10.45
104005	Clutch Rod	.95	126406	Cylinder Assembly Right Clutch	10.45
104010	Clutch Lever	11.95	126565	Fuse	.20
104015	Support Weldment R.H.	11.95			
104016	Support Weldment L.H.	11.95			
104029	Clutch Spring	1.45			
104040	Lining Drive Disc Assembly	.25	141178	Spacer	.25
104042	Brake Arm Assembly	14.95	141179	Retainer Clip	.35
104043	Lining Brake Arm Assembly	.35	141180	Support Seat	6.25
104044	Bushing	.45	141181	Clip Ludwig	.20
104050	Drive Disc Assembly	15.95	141183	Spacer	1.25
104070	Brake Spring	.35	141184	Support Floor	1.25
104511	Jackshaft	19.95	141187	Screen	.75
104604	Sprocket	19.95	141189	Molding	1.95
104608	Angle Bracket	1.25	141191	Decal Dash	.90
104610	Bushing	.90	141192	Decal "Got'cha"	.85
105504	Chain Assembly Clutch to Jackshaft	14.10	141193	Serial No. Plate	.90
105507	Connecting Link	.25	141194	Decal Fuel	.90
106229	Spring	.20	141195	Decal Action-Age	.95
106230	Piston	.90	141196	Strap Seat	1.05
106232	Steering Master Cylinder	6.55	141197	Molding	1.05
106251	Piston	.75	141198	Trough Protector Front	1.40
106314	Hand Grip	Each .30	141199	Trough Protector Rear	1.40
106321	Master Cylinder Assembly	7.40	141401	Body	255.00
106501	Accelerator Pedal	4.45	141403	Hood	26.25
106502	Mounting Bracket	1.50	141405	Seat & Floor	77.00
106503	Return Spring	.75	141407	Engine Cover Screen	6.95
106504	Cable Housing	2.95	141431	Seat Cushion Assembly	15.95
106505	Cable	1.25	142430	Axle Front	19.95
106507	Lever	1.95	142431	Spacer Front	.15
106508	Step Bushing	.75	142432	Spacer	.15
106510	Spring	.45	142513	Wheel Hub	5.40
106555	Battery Cable Neg.	.35	143040	Mounting Frame	13.95
106558	Battery Cable Pos.	.75	143041	Brace (Model 4000 Only)	2.95
107001	Muffler	2.50	143042	Brace Angle (Model 5000 Only)	2.85
107413	Ignition Switch	4.35	143043	Spacer (Model 5000 Only)	1.95
107417	Solenoid	4.20	143044	Brace Std. (Model 5000 Only)	2.60
107419	Ground Plate	.40	144401	Clutchshaft	49.50
107461	Ignition Keys - Set of 2	.30	144617	Strap	.80
107505	Battery Holder	.95	144618	Body Bracket	3.75
107512	Strap	.60	145508	Chain Assembly Jackshaft to Front	15.75
107515	Battery	29.95	145509	Chain Assembly Jackshaft to Rear	15.75

# GOT'CHA PARTS/PRICE LIST

Part No.	Description	List Price	Part No.	Description	List Price
146330	Cylinder Mount R.H.	1.65	900039	Key 1/8 x 1/4	.25
146331	Cylinder Mount L.H.	1.65	900040	Locking Collar W/Set Screw	.75
146332	Plate	2.00	900041	1-5/16 Flat Washer	.10
146334	Shim Lever	.95	900042	1-1/32 Flat Washer	.10
146335	Guide Bar	1.60	900043	17/32 x 1" Flat Washer	.10
146336	Bushing Eccentric	1.45	900044	13/32 x 11/16 Flat Washer	.10
146337	Mount Block	2.55	900051	Clamp 3/16	.40
146338	Tube Pressure	2.50	900056	5/16-18 x 1-3/4 Screw	.10
146339	Tube Vent	.50	900057	5/16 x 2" Bolt	.10
146340	Actuating Rod	.50	900067	Rivets	.10
146341	Bushing	1.20	900076	1/4-20 Wing Nut	.20
146342	Lever R.H.	7.25	900077	5/16-18 x 1/2 Screw	.05
146343	Lever L.H.	7.25	900078	Cable Clip	.10
146518	Choke Control Assembly	3.75	900079	3/16 Conduit Nut	.08
146569	Switch & Wire Assembly	1.95	900084	#10-24 x 1" Cap Screw	.08
146571	Starter Cable	.65	900091	1/4-20 x 1/2 Screw W/Nylok	.25
147011	Gasket	.85	900094	Nuts	.15
147012	Tube	1.50	900095	Wire Tie	.30
147013	Nipple 3/4 x 2-1/2	.30	900096	Bearing Retainer	.25
147034	Bracket	1.15	900097	13/32 x 31/32 Flat Washer	.10
147469	Wiring Harness	3.60	900098	Spacer	.30
147470	Wire Ground	.25	900102	3/4" Lock Nut	.15
147557	Fuel Tank Weldment	18.65	900104	1/8 x 2" Roll Pin	.08
147560	Cap Vented	.80	900105	1/8 x 3/4 Roll Pin	.08
147561	Pad on Body	1.10	900106	3/16 x 1-1/4 Roll Pin	.08
147562	Strap	1.25	900109	5/16-18 Nut	.10
147563	Band Extrusion	.70	900110	Clamp Assembly	.60
147564	Hose Tank to Tee	.50	900112	5/16" Split Lockwasher	.10
147565	Hose Tee to Vent	.80	900115	5/16 Clamp	.45
147566	Hose Tee to Carb.	.60	900120	Tube Fitting	.95
147567	Brace Fuel Tank	.95	900122	Tube Fitting	.75
147568	Clip (Not Shown)	.60	900124	Fitting Vent	.50
149286	Lacquer Spray - Can	3.15	900126	Plug	.10
149287	Gold Metal Flake - 402	2.17	900132	Bleeder Fitting	.95
			900133	Elbow	.65
900002	7/16 External Lockwasher	.08	900134	Tee Push-Lok	.45
900003	8/32 x 1/4 Screw	.08	900135	Tee Engine	.50
900004	Cable Swivel Body	.25	900164	9/16-24 Lock Nut	.10
900005	1/4-20 x 2-3/4 Screw	.10	900177	#10-32 Hex Head Nut	.08
900006	1/4-20 Esna Nut	.10	900180	#10-24 x 1/4 Screw	.20
900007	5/16-18 x 3/4 Screw	.10	900187	3/16" Tooth Lockwasher	.10
900009	Cable Clamp	.35	900211	Clamp	.25
900010	Clamp	.35	900212	Clips	.10
900011	10-24 x 3/4 Screw	.08	900222	1/4-20 x 1/4 Carriage Bolt	.35
900012	#10 Brass Washer	.08	900252	Snap Ring	.25
900013	10-24 Esna Nut	.08	900253	Snap Ring	.20
900014	Wire Clamp	.45	900254	Snap Ring	.20
900018	1/4-20 x 1" Screw	.10	900301	Adjusting Ring	.15
900021	Woodruff Key	.10	900302	Adjusting Ring	.25
900022	5/16-18 x 1" Screw	.10	900344	5/16-18 Acorn Nut	.15
900023	5/16-18 x 3/4 Screw	.10	900401	5/16-18 Esna Nut	.10
900024	5/16-18 x 1" Screw	.10	900402	3/8-16 Esna Nut	.15
900025	5/16 - 2-1/2 Roll Pin	.20	900403	7/16-14 Esna Nut	.20
900036	5/16-18 x 2-1/2 Screw	.40	900404	5/16-24 Esna Nut	.10
900038	Grease Fitting	.20	900406	5/16-18 Nylok Nut	.10
			900408	#10-24 Hex Nut	.08



# GOT'CHA PARTS/PRICE LIST

Part No.	Description	List Price	Part No.	Description	List Price
900433	7/16-20 Hub Bolt	.25	900631	5/16-18 x 1-1/4 Screw	.10
900434	5/16-18 Heavy Esna Nut	.15	900632	5/16-24 x 13/16 Screw	.10
900435	Drain Inserts	.50	900650	5/16-18 x 1-1/4 Screw	.25
900436	Pipe Plugs	.05	900651	5/16-18 x 1" Screw	.30
900437	5/16-18 x 3-1/2 Screw	.15	900660	7/16-14 x 1" Screw	.20
900438	Washer Bent	.45	900661	7/16-14 x 2-1/2 Hex Screw	.20
900440	Locking Collar W/Set Screw	1.95	910000	Flange Outer	.95
900441	9/32 x 5/8 Beveled Washer	.05	910001	Flange Inner	.25
900442	5/16-18 x 1-1/2 Carriage Bolt	.20	910003	Gasket	.25
900445	1/4-20 x 1" Screw	.10	910010	Bearing Liner	.20
900446	5/16-18 Jam Nuts	.05	910011	Bearing	1.50
900448	11/32 x 1-3/8 Washer	.10	910012	Seal	1.50
900449	5/16-18 x 2-3/4 Screw	.10	910013	Bearing Retainer	.75
900450	Snap Ring	.08	910017	Bearing	3.20
900453	5/16-18 x 3/4 Carriage Bolt	.05	910018	Bearing	1.40
900455	1/4-20 x 1-1/2 Screw	.10	911021	Bearing	4.20
900523	1/4" Flat Washer	.08	910023	Bearing Retainer	.25
900524	Snap Ring	.20	910026	Bearing	1.95
900525	5/16" Plain Washer	.08	910027	Bearing	1.45
900526	5/16" Brass Washer Small	.08	910029	Bearing	4.00
900527	5/16" Brass Washer Large	.10	910030	Bearing Retainer	.50
900529	5/16 Plain Washer	.08	910031	Bearing Liner	.25
900563	1/2" Wrought Washer	.10	910036	Seal	.20
900569	7/16 Flat Washer	.10	910037	Seal	.40
900629	5/16-24 x 4" Screw	.35			
GROUP II					
143530	Engine 8 HP Manual (Model 4000)	145.00	113500	Engine 8 HP Electric (Model 5000)	208.50
GROUP III					
142510	Tire Assembly L.H. (Not Shown)	34.95	142511	Tire Assembly R.H.	34.95
ACCESSORIES - GROUP II					
149742	Roll Barr	39.95	149744	Tail Light Kit - Set of 2	14.95
149743	Headlights - Set of 2	39.95	149895	Fuel Gauge	4.95