

Height Extensions

FOR SURFACE MOUNT & IN-GROUND LIFTS



(800) 321-8173 • fax: (800) 899-1784

155 Harvestore Drive • DeKalb, IL 60115

www.sviinternational.com



**Height
Extensions**






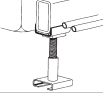
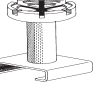
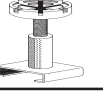
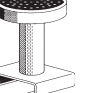
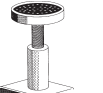
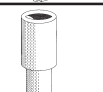
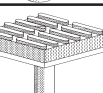
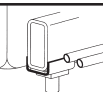
LRC7090J

BALTIMORE • CHICAGO • LOS ANGELES

Height Extensions

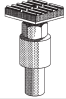



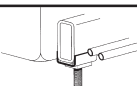
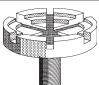






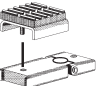



Table of Contents

PAGE(S)	EXTENSIONS	FOR LIFT MODELS:
5	LDR 	Benwil, Bishamon, old American, old Eagle, old Grand, old Worth, Globe American, Eagle, Grand, Hydralift, Manitowoc, Nussbaum, Force, Western
5	HDR 	ALM, Benwil, Bishamon, Challenger, VBM, new Ammco, Forward, old square VBM, Gilbarco/Manitowoc, Globe, Nussbaum, Phoenix, Force, Western
6	LDH 	ALM, Challenger, VBM, new Ammco, Forward, old square VBM, Gilbarco, American, Eagle, Grand, Hydralift, Manitowoc, Nussbaum, Phoenix, Force, Globe, Ford Smith AFO's
6	ALDH 	ALM, Alamo/ASSSA, Challenger, VBM, new Ammco, Forward, old square VBM, Manitowoc, American, Eagle, Grand, Hydralift, Nussbaum, Force, Phoenix, Worth
7	AHDR 	ALM, Benwil, Bishamon, Challenger, VBM, new Ammco, old American, old Eagle, old Grand, old Worth, Forward, old square VBM, Gilbarco, Globe, Hydralift, American, Eagle, Grand, Phoenix, Nussbaum, Force, Western, Worth
8	AHDRNRW 	ALM, Benwil, Bishamon, Challenger, VBM, new Ammco, old American, old Eagle, old Grand, old Worth, Forward, old square VBM, Gilbarco, Globe, American, Eagle, Grand, Hydralift, Manitowoc, Nussbaum, Phoenix, Force, Western, Worth
8	Challenger	Challenger Adapters for CL9/CL10
9	LDRND 	Nussbaum, Phoenix, Force
9	ALDRND 	HydraLift
9	ARND 	ALM
9	AARND 	ALM
10	NS 	Any Lift using Nesting Style Extensions and Adapters
10	NSP 	Any Lift using Nesting Style Extensions and Adapters
11	NSPNRW 	Any Lift using Nesting Style Extensions and Adapters

Don't see what you need? We have more height extensions and pads available. We can also accommodate your special order! Call an SVI Rep today! 800-321-8173


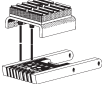


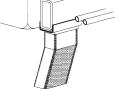



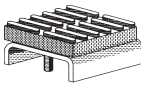
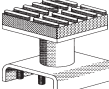



Table of Contents

PAGE(S)	EXTENSIONS	LIFT MODELS
11	NSPSUA 	Any Lift using Nesting Style Extensions and Adapters
11	SUH 5" 	Any lift using 1-1/4"-7 or 1-3/8"-6 or 1-3/8"-4 ACME, lengths from 4" - 10"
12	SUH 6" 	Any lift using 1-1/4"-7 or 1-3/8"-6 or 1-3/8"-4 ACME, lengths from 4" - 12"
12	SUR6 	Any lift using 1-1/4"-7 or 1-3/8"-6 or 1-3/8"-4 ACME, lengths from 4" - 10"
13	SUNRW 	Any lift using 1"-8, 1-1/4"-7, or 1-3/8"-6 threads or 1-3/8"-4 ACME. Length up to 10"
13	SUR5 	Any lift using 1"-8, 1-1/4"-7, or 1-3/8"-6 threads or 1-3/8"-4 ACME. Length up to 10"
14	SURX 	Any lift using 1"-8, 1-1/4"-7, or 1-3/8"-6 threads or 1-3/8"-4 ACME. Length up to 10"
14	ASPR 	For Rotary
15	SOR 	For Rotary
15	SORP 	For Rotary
16	SORNA 	For Rotary, Wheeltronic & Western
16	SPR 	For Rotary
16	SPR1 	For Rotary & Western
17	SOM 	For Ford Smith, Gilbarco, Globe, Manitowoc & Western

**Don't see what you need? We have more height extensions and pads available.
We can also accommodate your special order! Call an SVI Rep today! 800-321-8173**



Table of Contents

PAGE(S)	EXTENSIONS	LIFT MODELS
17	SOMP 	For Ford Smith, Gilbarco, Globe, Manitowoc & Western
17	SPCW1 	Challenger & Weaver
18	SOCW 	Challenger & Weaver
18	SOCWP 	Challenger & Weaver
18	SONRW 	Challenger & Weaver
19	SOGP 	Gilbarco, Globe & Manitowoc
19	SOGPA 	Gilbarco, Globe & Manitowoc
19	SOWNA 	Western & Rotary
20	SPW1 	Rotary & Western
20	SPCW 	Challenger & Weaver
20	ASPCW 	Challenger & Weaver
21	Benwil 	Various Truck Adapters and Pick-up Pad Assemblies for Benwil Models
22	Manitowoc Lifts	Various Height Extensions for Manitowoc Lifts & Gilbarco Models
23	Rotary 	Various Height Extensions for Rotary Models
24-29	RUBBER PADS	Available for ALM, Ammco, Benwil, Bishamon, Challenger, VBM, Forward, Fuchs, Globe, Ford Smith, Hofmann, Hydralift, Gilbarco, Manitowoc, Nussbaum, Force, PMW, Phoenix, Bend-Pak, Western, Grand, and many more

Height Extension Adapters for Surface Mount Lifts

This extension fits over:

BENWIL & BISHAMON: Flat, rectangular pads on spin-up type adapter. Fits over BH-7205, not for square pad TP-9 lifts.

OLD AMERICAN, OLD EAGLE, OLD GRAND, OLD WORTH: Spin-up has flat rectangular pads with X-pattern. Fits over BH-7750-02 pad.

AMERICAN, EAGLE & GRAND: Call for details. **Note:** Grand has made several adapter changes over the years. Dimensions may need to be verified before shipment is made.

HYDRA-LIFT: Spin-up has four corners turned up. Fits over round BH-7450-02 pad.

MANITOWOC: Spin-up has two sides turned up, that had BH-7350-00 pad.

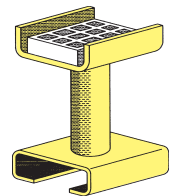
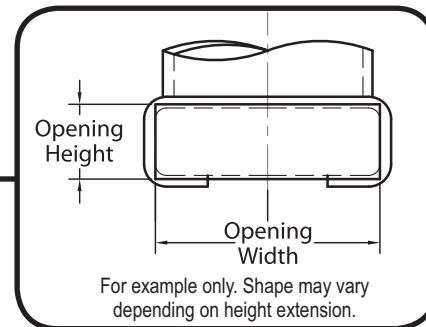
NUSSBAUM & FORCE: Spin-up with round pad. Fits over BH-7450-02 pad.

WESTERN: Spin-up has flat rectangular pad with X-pattern. Fits over BH-7750-02 pad.

Type - LDR

FEATURES: Replaceable Rubber Pad - order BH-7205

SVI Part #	For Lift Mfg by:	Height	Opening Width	Opening Height ¹⁾
BH-7202-50	Benwil/Bishamon	3"	3-3/4"	1-1/4"
BH-7202-53	Benwil/Bishamon	6"	3-3/4"	1-1/4"
BH-7375-02	Old American, Old Eagle Old Grand, Old Worth	6"	4-1/4"	1-1/8"
BH-7253-13	Globe	6"	3-3/8"	1-5/16"
BH-7290-19	Hydra Lift	6"	4-11/16"	1"
BH-7353-12	Manitowoc	4"	5-1/4"	1/2"
BH-7353-14	Manitowoc	6"	5-1/4"	1/2"
BH-7450-24	Nussbaum & Force	4"	5-3/8"	1-13/16"
BH-7450-26	Nussbaum & Force	6"	5-3/8"	1-13/16"
BH-7749-97	Western	3"	4-3/16"	1-1/8"
BH-7750-01	Western	6"	4-3/16"	1-1/8"



Type - HDR

SVI Part #	For Lift Mfg by:	Ext. Height	Opening Width	Opening Height
BH-7150-43	ALM	4"	6-9/16"	1-5/16"
BH-7150-45	ALM	6"	6-9/16"	1-5/16"
BH-7150-49	ALM	10"	6-9/16"	1-5/16"
BH-7202-55	Benwil, Bishamon	3"	3-3/4"	1-1/8"
BH-7202-56	Benwil, Bishamon	4"	3-3/4"	1-1/8"
BH-7200-12	Benwil, Bishamon	6"	3-3/4"	1-1/8"
BH-7202-58	Benwil, Bishamon	7"	3-3/4"	1-1/8"
BH-7200-12L	Benwil, Bishamon	9"	3-3/4"	1-1/8"
BH-7202-61	Benwil, Bishamon	11"	3-3/4"	1-1/8"
BH-7202-62	Benwil, Bishamon	12"	3-3/4"	1-1/8"
BH-7227-34	Challenger, VBM, new Ammco	6"	6-1/8"	1-5/16"
BH-7227-37	Challenger, VBM, new Ammco	9"	6-1/8"	1-5/16"
BH-7227-40	Challenger, VBM, new Ammco	12"	6-1/8"	1-5/16"
BH-7236-70	Forward	6"	5-3/4"	15/16"
BH-7353-33	Gilbarco/Manitowoc	4"	5-3/16"	3/4"
BH-7353-35	Gilbarco/Manitowoc	6"	5-3/16"	3/4"
BH-7253-15	Globe	3"	3-5/16"	1-5/16"
BH-7250-05	Globe	6"	3-5/16"	1-5/16"
BH-7253-22	Globe	10"	3-5/16"	1-5/16"
BH-7353-40	Manitowoc	3"	5-1/4"	1/2"
BH-7353-43	Manitowoc	6"	5-1/4"	1/2"
BH-7353-47	Manitowoc	10"	5-1/4"	1/2"
BH-7450-39	Nussbaum, Force, Phoenix	6"	5-3/8"	1-3/16"
BH-7450-43	Nussbaum, Force, Phoenix	10"	5-3/8"	1-3/16"
BH-7749-94	Western	4"	4-3/16"	1-1/8"
BH-7749-96	Western	6"	4-3/16"	1-1/8"

FEATURES:

- **Replaceable Rubber Pad - order BH-7205**

This extension fits over:

ALM: Fits over round BH-7150-02 pad.

BENWIL & BISHAMON: Fits over BH-7205 pad, not for square pads TP-9.

CHALLENGER, VBM & NEW AMMCO: Fits over a BH-7225-01 rubber pad

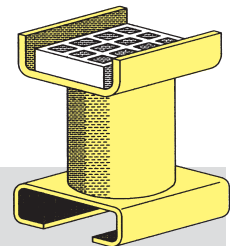
FORWARD & OLD SQUARE VBM: Forward spin-up with four corners turned up, VBM is flat. Fits over BH-7235-90A.

GILBARCO/MANITOWOC: Fits over BH-7350-00.

GLOBE: Flat, rectangular pad. Fits over BH-7250-01 pad.

NUSSBAUM, PHOENIX & FORCE: Fits over BH-7450-02 pad.

WESTERN: Fits over BH-7750-02



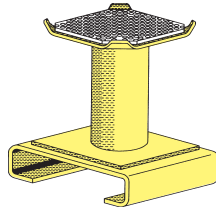
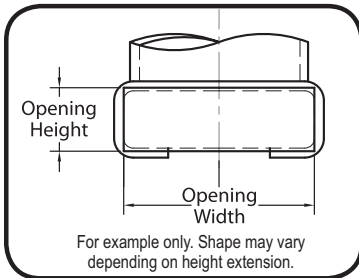


Height Extension Adapters for Surface Mount Lifts

Type - LDH

FEATURES:

- Replaceable Rubber Pad



This extension fits over:

ALM

Fits over BH-7250-01 spin-up with round pad.

ALAMO/ASSSA

Spin-up with Rectangular pad (BH-7165-02) and four corners turned up.

CHALLENGER, VBM & NEW AMMCO

Fits over BH-7225-01 pad.

FORWARD & OLD SQUARE VBM

Forward spin-up has four corners turned up, VBM is flat. Fits over BH-7235-90A

GILBARCO/MANITOWOC

Spin-up with four corners turned up. Fits over BH-7350-00 pad.

AMERICAN, EAGLE & GRAND

Spin-up with four corners turned up.

Note: Grand has made several adapter changes over the years. Dimensions may need to be verified before shipment is made.

HYDRA-LIFT (1)

Spin-up has four corners turned up.

HYDRA-LIFT (2)

Spin-up with round pad..

NUSSBAUM, PHOENIX & FORCE

Fits over spin-up with round pad, BH-7450-02.

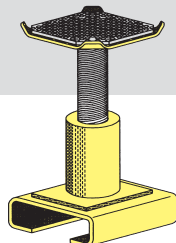
WORTH

Spin-up with four corners turned up.



SVI Part #	for Lift Mfg by:	Height	Opening Width	Opening Height	Rubber Pad Used
BH-7150-35	ALM	4"	6-1/2"	1-5/16"	BH-7225-01
BH-7150-01	ALM	6"	6-1/2"	1-5/16"	BH-7225-01
BH-7150-39	ALM	8"	6-1/2"	1-5/16"	BH-7225-01
BH-7150-41	ALM	10"	6-1/2"	1-5/16"	BH-7225-01
BH-7227-24	Challenger, VBM, new Ammco	4"	6-1/8"	1"	BH-7225-01
BH-7225-02	Challenger, VBM, new Ammco	6"	6-1/8"	1"	BH-7225-01
BH-7225-05	Challenger, VBM, new Ammco	9"	6-1/8"	1"	BH-7225-01
BH-7227-28	Challenger, VBM, new Ammco	10"	6-1/8"	1"	BH-7225-01
BH-7227-30	Challenger, VBM, new Ammco	12"	6-1/8"	1"	BH-7225-01
BH-7236-61	Forward & old square VBM	4"	5-11/16"	13/16"	BH-7235-90A
BH-7235-88	Forward & old square VBM	6"	5-11/16"	13/16"	BH-7235-90A
BH-7236-66	Forward & old square VBM	10"	5-11/16"	13/16"	BH-7235-90A
BH-7353-17	Gilbarco	4"	5-3/16"	3/4"	BH-7235-90A
BH-7353-19	Gilbarco	6"	5-3/16"	3/4"	BH-7235-90A
BH-7353-21	Gilbarco	8"	5-3/16"	3/4"	BH-7235-90A
BH-7353-23	Gilbarco	10"	5-3/16"	3/4"	BH-7235-90A
BH-7376-19	American, Eagle, Grand	3"	5-3/16"	3/4"	BH-7235-90A
BH-7376-22	American, Eagle, Grand	6"	5-3/16"	3/4"	BH-7235-90A
BH-7376-26	American, Eagle, Grand	10"	5-3/16"	3/4"	BH-7235-90A
BH-7290-29	Hydra Lift	6"	4-5/8"	1"	BH-7235-90A
BH-7290-33	Hydra Lift	10"	4-5/8"	1"	BH-7235-90A
BH-7290-35	Hydra Lift	4"	5-1/8"	1-5/16"	BH-7235-90A
BH-7290-37	Hydra Lift	6"	5-1/8"	1-5/16"	BH-7235-90A
BH-7290-41	Hydra Lift	10"	5-1/8"	1-5/16"	BH-7235-90A
BH-7353-25	Manitowoc	4"	5-1/4"	1/2"	BH-7235-90A
BH-7353-27	Manitowoc	6"	5-1/4"	1/2"	BH-7235-90A
BH-7353-31	Manitowoc	10"	5-1/4"	1/2"	BH-7235-90A
BH-7450-29	Nussbaum, Phoenix, Force	4"	5-3/8"	1-1/8"	BH-7235-90A
BH-7450-03	Nussbaum, Phoenix, Force	6"	5-3/8"	1-1/8"	BH-7235-90A
BH-7450-34	Nussbaum, Phoenix, Force	9"	5-3/8"	1-1/8"	BH-7235-90A
BH-7450-35	Nussbaum, Phoenix, Force	10"	5-3/8"	1-1/8"	BH-7235-90A
BH-7250-07	Globe & Ford Smith AFO's	6"	4-9/16"	1-3/16"	BH-7235-90A

SVI Part #	for Lift Mfg by:	Height	Opening Width	Opening Height	Rubber Pad Used
BH-7165-10	Alamo, ASSSA	4-6"	4-1/8"	3/4"	BH-7235-90A
BH-7165-11	Alamo, ASSSA	6-9.5"	4-1/8"	3/4"	BH-7235-90A
BH-7150-52	ALM	4-6"	6-1/2"	1-5/16"	BH-7225-01
BH-7150-53	ALM	6-9.5"	6-1/2"	1-5/16"	BH-7225-01
BH-7227-49	Challenger, VBM	4-6"	6-3/16"	1"	BH-7225-01
BH-7227-50	Challenger, VBM	6-9.5"	6-3/16"	1"	BH-7225-01
BH-7236-77	Forward	4-6"	5-3/4"	15/16"	BH-7235-90A
BH-7236-78	Forward	6-9.5"	5-3/4"	15/16"	BH-7235-90A
BH-7353-49	Gilbarco	6-9.5"	5-3/16"	3/4"	BH-7235-90A
BH-7376-39	American, Eagle, Grand	4-6"	5-3/16"	3/4"	BH-7235-90A
BH-7290-58	Hydra Lift	4-6"	4-11/16"	1"	BH-7235-90A
BH-7290-59	Hydra Lift	6-9.5"	4-11/16"	1"	BH-7235-90A
BH-7353-50	Manitowoc	4-6"	5-1/4"	1/2"	BH-7235-90A
BH-7353-51	Manitowoc	6-9.5"	5-1/4"	1/2"	BH-7235-90A
BH-7450-44	Nussbaum, Force	4-6"	5-3/8"	1-1/8"	BH-7235-90A
BH-7450-45	Nussbaum, Force	6-9.5"	5-3/8"	1-1/8"	BH-7235-90A
BH-7587-12	Werther	4-6"	5-5/8"	1-3/16"	BH-7225-01
BH-7587-13	Werther	6-9.5"	5-5/8"	1-3/16"	BH-7225-01
BH-7702-50	Worth	6-9.5"	5-3/4"	15/16"	BH-7235-90A



Type - ALDH

FEATURES:

- Adjustable
- Replaceable Rubber Pad

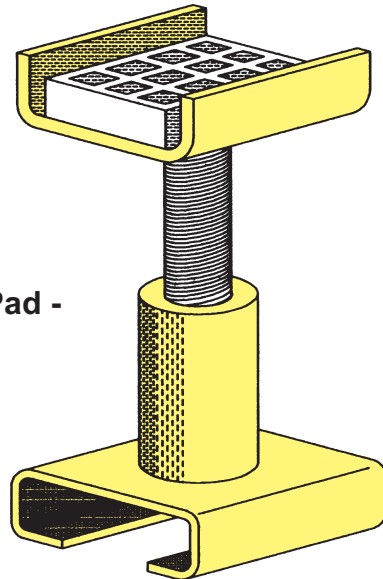
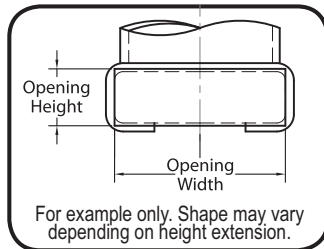
order BH-7225-01 for 6" or BH-7235-90A for 5" or 5-1/2" (Ask About Our Heavy Duty Pads and Kits)

Height Extension Adapters for Surface Mount Lifts

Type - AHDR

FEATURES:

- **Adjustable**
- **Replaceable Rubber Pad - order BH-7205**



SVI Part #	for Lift Mfg by:	Height	Opening Width	Opening Height
BH-7150-54	ALM	4-6"	6-1/2"	1-5/16"
BH-7150-55	ALM	6-9.5"	6-1/2"	1-5/16"
BH-7202-63	Benwil, Bishamon	4-6"	3-3/4"	1-3/16"
BH-7202-64	Benwil, Bishamon	6-9.5"	3-3/4"	1-3/16"
BH-7227-47	Challenger, VBM	4-6"	6-3/16"	1"
BH-7227-48	Challenger, VBM	6-9.5"	6-3/16"	1"
BH-7376-40	Eagle, Old Worth, Grand	4-6"	4-1/4"	1-1/8"
BH-7376-41	Eagle, Old Worth, Grand	6-9.5"	4-1/4"	1-1/8"
BH-7236-79	Forward	4-6"	5-3/4"	15/16"
BH-7236-80	Forward	6-9.5"	5-3/4"	15/16"
BH-7353-52	Gilbarco	4-6"	5-3/16"	3/4"
BH-7353-53	Gilbarco	6-9.5"	5-3/16"	3/4"
BH-7253-26	Globe AFO's	6-9.5"	4-9/16"	1-3/16"
BH-7376-42	Am, Ea, Grand	4-6"	5-13/16"	3/4"
BH-7376-43	Am, Ea, Grand	6-9.5"	5-13/16"	3/4"
BH-7253-23	Globe	4-6"	3-5/16"	1-5/16"
BH-7253-24	Globe	6-9.5"	3-5/16"	1-5/16"
BH-7290-65	Hydra Lift	6-9.5"	4-5/8"	1"
BH-7353-54	Manitowoc	4-6"	5-1/4"	1/2"
BH-7353-55	Manitowoc	6-9.5"	5-1/4"	1/2"
BH-7450-46	Nussbaum, Force	4-6"	5-3/8"	1-1/8"
BH-7450-47	Nussbaum, Force	6-9.5"	5-3/8"	1-1/8"
BH-7749-91	Western	4-6"	4-3/16"	1-1/8"
BH-7749-92	Western	6-9.5"	4-3/16"	1-1/8"

This extension fits over:

ALM - Fits over BH-7150-02 pad, spin-up with round pad.

BENWIL & BISHAMON - Flat rectangular pads on spin-up type adapter. Fits over BH-7205, not for square pad on TP-9.

CHALLENGER, VBM & NEW AMMCO - Spin-up with four corners turned up. Fits over BH-7225-01.

OLD AMERICAN, EAGLE, OLD GRAND, OLD WORTH - Spin-up has flat rectangular pads with X-pattern. Fits over BH-7750-02 pad.

FORWARD & OLD SQUARE VBM - Forward spin-up has four corners turned up, VBM is flat. Fits over BH-7235-90A.

GILBARCO/MANITOWOC - Spin-up with four corners turned up. Fits over BH-7350-00

GLOBE - Flat, rectangular pad. Fits over BH-7250-01 pad.

AMERICAN, EAGLE & GRAND - Spin-up with four corners turned up. **Note:** Grand has made several adapter changes over the years. Dimensions may need to be verified before shipment is made.

HYDRA-LIFT (1) - Spin-up has four corners turned up. Fits over BH-7450-02

HYDRA-LIFT (2) - Spin-up with round pad.

NUSSBAUM, PHOENIX & FORCE - Spin-up with round pad. Fits over BH-7450-02 pad.

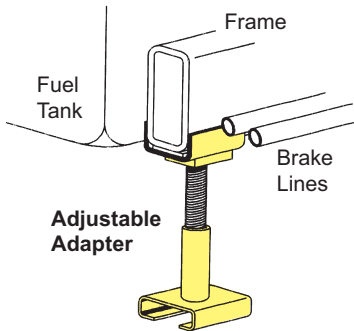
WESTERN - Spin-up has flat rectangular pad with X pattern. Fits over BH-7750-02 pad.

WORTH - Spin-up with four corners turned up.

SVI carries many additional styles of height extensions. If you don't see what you need, please call your SVI Sales Representative!



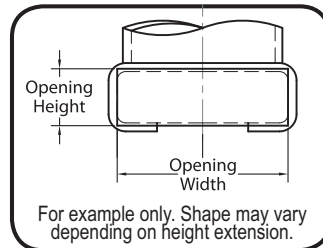
Height Extension Adapters for Surface Mount Lifts



Type AHDRNRW

For close to frame obstructions

Commonly sold for use on the rear of late model trucks. Avoids denting or puncturing fuel tank and smashing brake lines.



For example only. Shape may vary depending on height extension.

FEATURES:

- Adjustable
- Replaceable Rubber Pad

SVI Part #	for Lift Mfg by:	Height	Opening Width	Opening Height
BH-7150-75	ALM	4-6"	6-9/16"	1-5/16"
BH-7150-76	ALM	6-9"	6-9/16"	1-5/16"
BH-7202-69	Benwil, Bishamon	6-9"	3-3/4"	1-3/16"
BH-7236-85	Forward	6-9"	5-3/4"	15/16"
BH-7376-53	Am, Ea, Grand	6-9"	5-3/16"	3/4"
BH-7450-62	Nussbaum, Force	6-9"	5-3/8"	1-1/8"
BH-7749-86	Western	4-6"	4-3/16"	1-1/8"

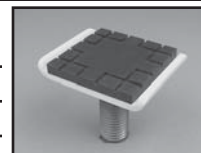
These adapters are "Specials" and are Made-to-Order. Please call an SVI representative for a price quote.

This extension fits over:

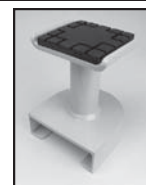
- ALM - spin-up with round pad
- BENWIL & BISHAMON - flat rectangular pads on spin-up type adapter
- CHALLENGER, VBM & NEW AMMCO - spin-up with four corners turned up
- OLD AMERICAN, EAGLE, OLD GRAND, OLD WORTH - spin-up has flat rectangular pads with X-pattern
- FORWARD & OLD SQUARE VBM - Forward spin-up has four corners turned up, VBM is flat
- GILBARCO - spin-up w/ four corners turned up
- GLOBE - flat, rectangular pad
- AMERICAN, EAGLE & GRAND - spin-up with four corners turned up. **Note:** Grand has made several adapter changes over the years. Dimensions may need to be verified before shipment is made
- HYDRA-LIFT (1) - spin-up has four corners turned up
- HYDRA-LIFT (2) - spin-up with round pad
- MANITOWOC - spin-up w/ two sides turned up
- NUSSBAUM, PHOENIX & FORCE - spin-up with round pad
- WESTERN - spin-up has flat rectangular pad with X pattern
- WORTH - spin-up with four corners turned up

Height Extension Adapters for Challenger CL9/CL10 Lifts

SVI Part #	OEM #	Height	Opening Width	Opening Height	Description
BH-7232-17HDA	A1101		n/a	n/a	Screw Adapter Base Only
BH-7232-17HDA-P	A1100		n/a	n/a	Screw Adapter Base & Pad
BH-7231-96		3"	4-3/16"	3/4"	Fixed Slip-On
BH-7232-00	A1105-06	6"	4-3/16"	3/4"	Fixed Slip-On
BH-7231-99	A1105-10	10"	4-3/16"	3/4"	Fixed Slip-On
BH-7231-97		4"-6"	4-3/16"	3/4"	Adjustable Slip-On
BH-7231-98		6"-9.5"	4-3/16"	3/4"	Adjustable Slip-On
BH-7232-01	A1104	n/a	n/a	n/a	4" x 4" Pad
BH-7234-01		6"	5-1/4"	1-3/8"	Slip-On
BH-7234-119	10315	--	n/a	n/a	Height Extension Kit
BH-7232-98	B2260 / B2250				Drop-In Adapter/Foot Pad Assy.



BH-7232-17HDA-P
SVI Exclusive: Heavy duty adapter base with increased plate thickness and additional welding process.



BH-7234-01



**Drop-In Adapter
BH-7232-98**
(works with BH-7234-119)



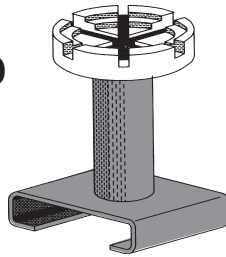
BH-7234-119

* More Challenger Adapters are available, see Table of Contents.

Your SVI representative is also available to help you find the Height Extensions and Pads you need!

Height Extension Adapters for Surface Mount Lifts

Type - LDRND



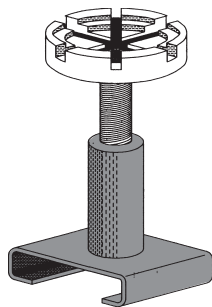
*This extension fits over:
NUSSBAUM, PHOENIX & FORCE
Spin-up with round pad*

FEATURES:

- Replaceable Rubber Pad
order BH-7450-02

SVI Part #	for Lift Mfg by:	Height	Opening Width	Opening Height
BH-7450-48	Nussbaum, Force, Phoenix	3"	5-1/4"	1-1/8"
BH-7450-49	Nussbaum, Force, Phoenix	4"	5-1/4"	1-1/8"
BH-7450-04	Nussbaum, Force, Phoenix	6"	5-1/4"	1-1/8"
BH-7450-53	Nussbaum, Force, Phoenix	8"	5-1/4"	1-1/8"
BH-7450-55	Nussbaum, Force, Phoenix	10"	5-1/4"	1-1/8"

Type - ALDRND



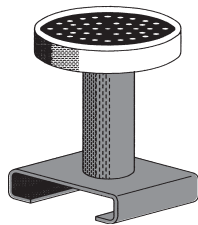
*This extension fits over:
HYDRA-LIFT (1)
Spin-up has four corners turned up*

FEATURES:

- Adjustable
- Replaceable Rubber Pad -
order BH-7450-02

SVI Part #	for Lift Mfg by:	Height	Opening Width	Opening Height
BH-7290-83	Hydra-Lift	6-9.5"	4-2/3"	1"

Type - ARND



*This extension fits over: ALM
Fixed with round pad*

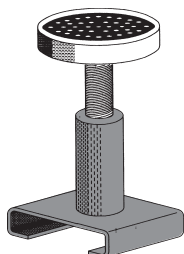
FEATURES:

- Replaceable Rubber Pad
order BH-7150-02

SVI Part #	for Lift Mfg by:	Height	Opening Width	Opening Height
BH-7150-03	ALM	6"	6-9/16"	1-5/16"
BH-7150-04	ALM	9"	6-9/16"	1-5/16"

SVI recommends BH-7150-29 Adjustable Spin-Up (see below).

Type - AARND



*This extension fits over: ALM
Spin-up with round pad*

FEATURES:

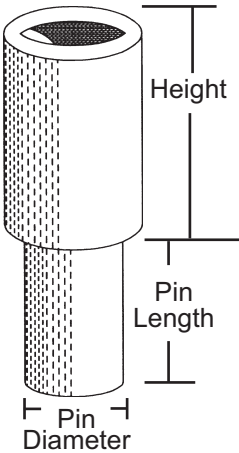
- Adjustable
- Replaceable Rubber Pad -
order BH-7150-02

SVI Part #	for Lift Mfg by:	Height	Opening Width	Opening Height
BH-7150-28	ALM	4-6"	6-9/16"	1-5/16"
BH-7150-29	ALM	6-9.5"	6-9/16"	1-5/16"



Height Extension Adapters for Surface Mount Lifts

Type - NS



SVI Part #	Height	Pin Length	Pin Diameter
BH-7340-12	3"	2-1/4"	1-1/8"
BH-7340-13	4"	2-1/4"	1-1/8"
BH-7340-15	6"	2-1/4"	1-1/8"
BH-7606-35	5"	1-7/8"	1-1/8"
BH-7606-36	2-1/2"	1-7/8"	1-1/8"
BH-7235-72	1-1/2"	1-3/16"	1-1/4"
BH-7089-98	3"	1-1/4"	1-1/4"
BH-7793-45	3"	2-1/2"	1-1/4"
BH-7089-99	4"	1-1/4"	1-1/4"
BH-7089-99A	5"	1-1/4"	1-1/4"
BH-7089-99B	6"	1-1/4"	1-1/4"
BH-7796-04	6"	2-1/2"	1-1/4"
BH-7479-94	2-3/4"	1-11/16"	1-3/8" (35mm)
BH-7479-95	5-3/4"	1-11/16"	1-3/8" (35mm)
BH-7090-10	3"	1-3/4"	1-3/8"
BH-7090-11	4"	1-3/4"	1-3/8"
BH-7090-12	5"	1-3/4"	1-3/8"
BH-7090-13	6"	1-3/4"	1-3/8"
BH-7533-98S	2-1/2"	1-1/2"	1-1/2"
BH-7101-02	2-5/8"	2"	1-1/2"
BH-7090-14	3"	2"	1-1/2"
BH-7101-04	3-1/2"	2"	1-1/2"
BH-7533-96	4"	1-1/2"	1-1/2"
BH-7090-15	4"	2"	1-1/2"
BH-7101-03	5"	2"	1-1/2"
BH-7090-16	6"	2"	1-1/2"
BH-7090-17	7"	2"	1-1/2"
BH-7533-97	8"	3-1/8"	1-1/2"
BH-7533-98	3-1/2"	1-1/2"	1-3/4"
BH-7515-66	5"	1-3/4"	2"
BH-7536-53	5"	2-1/4"	2-3/4"
BH-7536-54	10"	2-1/4"	2-3/4"
BH-7234-119	Height Extension Kit		
BH-7500-95	Extension Holder		

Aluminum
Aluminum

Will fit lifts using Nesting Style Extensions. Please verify pin diameter used on the lift before ordering.

Note: 1-1/2" pin diameter is common on ALM, Ammco and Ben Pearson Lifts

1-3/8" pin diameter is common on Pro-Lift, Bend-Pak & Magnum Lifts

1-1/4" pin diameter is common on Forward Lifts

1-3/4" pin diameter is common on Rotary SPO12

2-3/4" pin diameter is common on Rotary SPO15 and SPO18



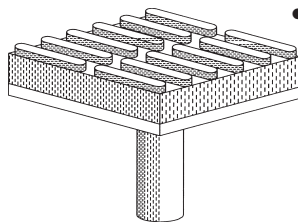
BH-7234-119

Nesting Style Adapter Pads for Surface Mount Lifts

Type - NSP

FEATURES:

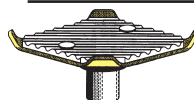
- Replaceable Rubber Pad



BH-7474-79



BH-7340-11



BH-7475-28



BH-7475-01



BH-7475-01R

Will fit lifts using Nesting Style Extensions. Please verify pin diameter used on the lift before ordering.

SVI Part #	Pin Dia.	Pin Length	Rubber Pad
BH-7340-11	1-1/8"	2-1/2"	BH-7101-00
BH-7089-97*	1-1/4"	1-1/8"	BH-7235-90A
BH-7101-01C	1-1/2"	1-3/4"	BH-7101-00
BH-7796-10B	1-1/4"	2-1/2"	BH-7101-00
BH-7796-10AP	1-1/4"	2-1/2"	BH-7805-168
BH-7475-28	1-3/8"	1-3/8"	BH-7475-55
BH-7475-01	1-3/8"	1-1/2"	not replaceable pad; see below BH-7475-01R for replaceable pad
BH-7475-01R	1-3/8"	1-1/2"	BH-7101-00
BH-7474-79	1-3/8"		

*Adapter Pad for **Forward** - order **BH-7089-97**

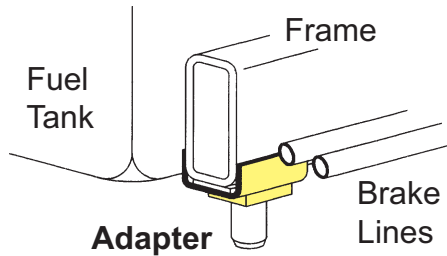
This adapter pad for Forward lifts has 5-1/2" square top with corners turned up. Order BH-7235-90A (1) when replacing pad.

BH-7101-01C

BH-7796-10B

BH-7796-10AP

Nesting Style Height Extensions for Surface Mount Lifts



Type - NSPNRW

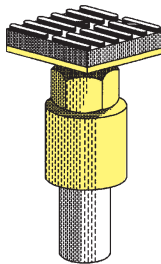
For close to frame obstructions

Commonly sold for use on the rear of late model trucks.
Avoids denting or puncturing fuel tank and smashing brake lines.

SVI Part #	Pin Diameter	Rubber Pad
BH-7091-59	1-1/8"	BH-9900-10A
BH-7091-58	1-1/4"	BH-9900-10A
BH-7091-57	1-3/8"	BH-9900-10A
BH-7091-56	1-1/2"	BH-9900-10A

These adapters are "Specials" and are Made-to-Order. Please call an SVI representative for a price quote.

Heavy Duty



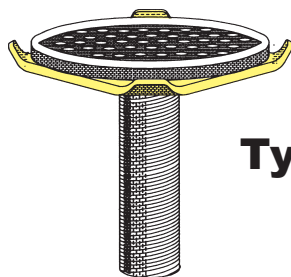
Type - NSPSUA

SVI Part #	Height	Pin Diameter	Rubber Pad
BH-7091-70	5" - 6-3/4"	1-1/2"	BH-7101-00
BH-7091-71	8" - 9-3/4"	1-1/2"	BH-7101-00
BH-7091-72	10" - 12-3/4"	1-1/2"	BH-7101-00

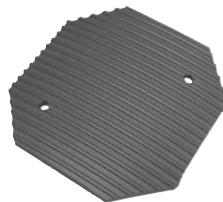
FEATURES:

- Replaceable Rubber Pad - order BH-7101-00

Replacement Spin-Up Adapters for Surface Mount Lifts



Type - SUH 5"



FEATURES:

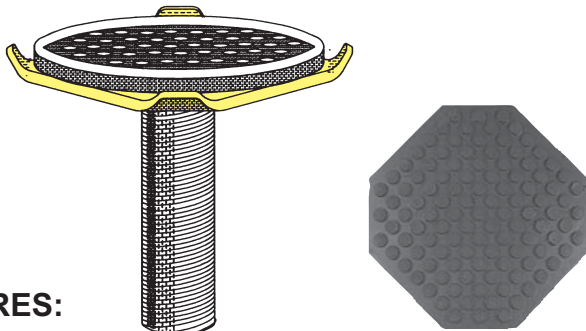
- Replaceable Rubber Pad - BH-7235-90A
Order Pad Kit: BH-7235-90

Made to fit any lift using either 1-1/8", 1-1/4" - 7 or 1-3/8" - 6 threads. Identify thread size from the lift you are working on, determine length and select the part number for the item(s) you would like us to ship.

SVI Part #	Thread Size	Height
BH-7091-17	1-1/8"	4"
BH-7091-18	1-1/8"	5"
BH-7091-19	1-1/8"	6"
BH-7091-20	1-1/8"	7"
BH-7091-21	1-1/8"	8"
BH-7091-22	1-1/4"-7	4"
BH-7091-23	1-1/4"-7	5"
BH-7091-24	1-1/4"-7	6"
BH-7091-25	1-1/4"-7	7"
BH-7091-26	1-1/4"-7	8"
BH-7091-27	1-3/8"-6	4"
BH-7091-28	1-3/8"-6	5"
BH-7091-29	1-3/8"-6	6"
BH-7091-30	1-3/8"-6	7"
BH-7091-31	1-3/8"-6	8"
BH-7091-32	1-3/8"-6	4"
BH-7091-33	1-3/8"-6	5"
BH-7091-34	1-3/8"-6	6"
BH-7091-35	1-3/8"-6	7"
BH-7091-36	1-3/8"-6	8"



Replacement Spin-Up Adapters for Surface Mount Lifts



FEATURES:

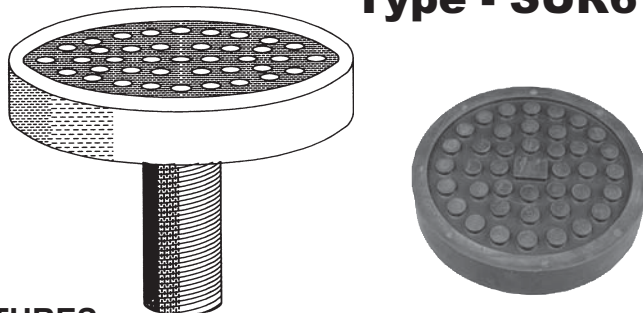
- **Replaceable Rubber Pad**
Order: BH-7225-01 / BH-7225-01-4 (Kit)
Heavy Duty: BH-7225-01X / BH-7225-01K (Kit)

Made to fit any lift using either 1-1/4" - 7 or 1-3/8" - 6 threads or 1-3/8" - 4 acme. Identify thread size from the lift you are working on, determine length and select the part number for the item(s) you would like us to ship.

Type - SUH 6"

SVI Part #	Thread Size	Height
BH-7090-20	1-1/4"-7	4"
BH-7090-21	1-1/4"-7	5"
BH-7090-22	1-1/4"-7	6"
BH-7090-23	1-1/4"-7	7"
BH-7090-29	1-1/4"-7	8"
BH-7227-41	1-1/4"-7	10"
BH-7227-42	1-1/4"-7	12"
BH-7225-03	1-3/8"-6	3-1/2"
BH-7090-25	1-3/8"-6	4"
BH-7090-26	1-3/8"-6	5"
BH-7090-27	1-3/8"-6	6"
BH-7090-28	1-3/8"-6	7"
BH-7225-04	1-3/8"-6	8"
BH-7090-30	1-3/8"-6	9"
BH-7090-31	1-3/8"-6	10"
BH-7090-32	1-3/8"-4	4"
BH-7090-33	1-3/8"-4	5"

Type - SUR6



FEATURES:

- **Replaceable Rubber Pad - order BH-7150-02**

Made to fit any lift using either 1-1/4" - 7 or 1-3/8" - 6 threads. Identify thread size from the lift you are working on, determine length and select the part number for the item(s) you would like us to ship.

SVI Part #	Thread Size	Height
BH-7090-40	1-1/4"-7	4"
BH-7090-41	1-1/4"-7	5"
BH-7090-42	1-1/4"-7	6"
BH-7090-43	1-1/4"-7	7"
BH-7090-44	1-1/4"-7	8"
BH-7090-45	1-3/8"-6	4"
BH-7090-46	1-3/8"-6	5"
BH-7090-47	1-3/8"-6	6"
BH-7090-48	1-3/8"-6	7"
BH-7090-49	1-3/8"-6	8"
BH-7090-50	1-3/8"-6	9"
BH-7090-51	1-3/8"-6	10"

Shims are In-Stock! Order Today!

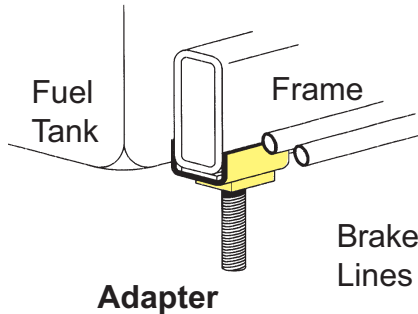


- BH-7512-89 • 1/4" Black - Pack of 50
- BH-7512-90 • 1/16" Blue - Pack of 50
- BH-7512-91 • 1/8" Red - Pack of 50
- BH-7512-92 • Assortment - 150 Shims



Replacement Spin-Up Adapters for Surface Mount Lifts

Type- SUNRW



For close to frame obstructions

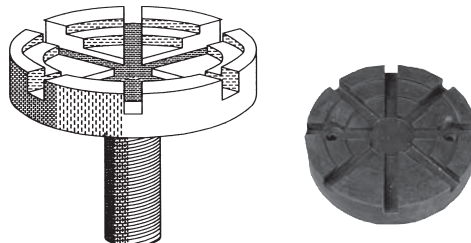
Commonly sold for use on the rear of late model trucks. Avoids denting or puncturing fuel tank and smashing brake lines.

Made to fit any lift using either 1-1/8", 1-1/4" - 7 or 1-3/8" - 6 threads or 1-3/8" - 4 acme. Identify thread size from the lift you are working on, determine length and select the part number for the item(s) you would like us to ship.

These adapters are "Specials" and are Made-to-Order. Please call an SVI representative for a price quote.

SVI Part #	Thread Size	Height
BH-7091-48	1-1/8"	4"
BH-7091-49	1-1/8"	6"
BH-7091-50	1-1/8"	8"
BH-7091-45	1-1/4"-7	4"
BH-7091-46	1-1/4"-7	6"
BH-7091-47	1-1/4"-7	8"
BH-7091-37	1-3/8"-6	4"
BH-7091-38	1-3/8"-6	6"
BH-7091-39	1-3/8"-6	8"
BH-7091-40	1-3/8"-6	10"
BH-7091-41	1-3/8"-4	4"
BH-7091-42	1-3/8"-4	6"
BH-7091-43	1-3/8"-4	8"
BH-7091-44	1-3/8"-4	10"

Type - SUR5



FEATURES:

- **Replaceable Rubber Pad - order BH-7450-02**

Made to fit any lift using either 1-1/4" - 7 or 1-3/8" - 6 threads or 1-3/8" 4 acme. Identify thread size from the lift you are working on, determine length and select the part number for the item(s) you would like us to ship.

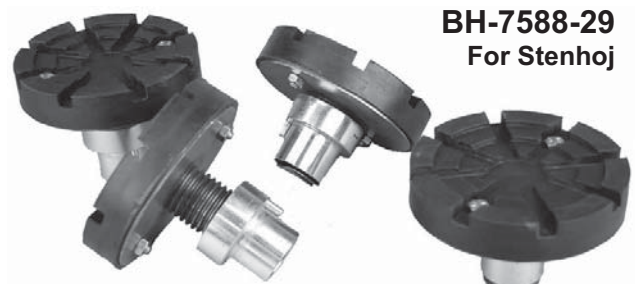
SVI Part #	Thread Size	Height
BH-7090-60	1-1/4"-7	4"
BH-7090-61	1-1/4"-7	5"
BH-7090-62	1-1/4"-7	6"
BH-7090-63	1-1/4"-7	7"
BH-7090-64	1-1/4"-7	8"
BH-7090-65	1-3/8"-6	4"
BH-7090-66	1-3/8"-6	5"
BH-7090-67	1-3/8"-6	6"
BH-7090-68	1-3/8"-6	7"
BH-7090-69	1-3/8"-6	8"
BH-7090-70	1-3/8"-6	9"
BH-7090-71	1-3/8"-6	10"

Spin-Up Adapters for Stenhoj

Why wait for these to come from overseas?

These domestically produced adapters for Stenhoj lifts not only reduce your costs they also decrease your delivery time. They are made domestically in the USA and fit directly in the metric hole of the swing arm.

We relish in the idea of domesticating repair parts used on imported lifts. Put our product development team to work for you. If there is something you would rather not have to wait on or would like to enjoy saving money on let us know.

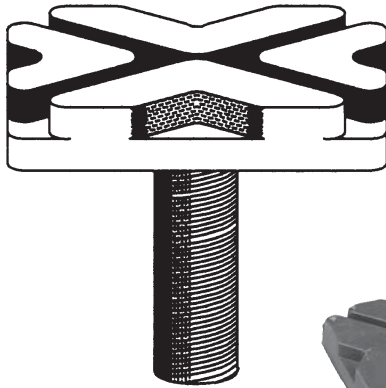


**BH-7588-29
For Stenhoj**

Replaceable Rubber Pads: BH-7450-02



Replacement Spin-Up Adapters for Surface Mount Lifts



Type - SURX

SVI Part #	Thread Size	Height
BH-7090-79	1" - 8	4"
BH-7090-80	1-1/4" - 7	4"
BH-7090-81	1-1/4" - 7	5"
BH-7090-82	1-1/4" - 7	6"
BH-7090-83	1-1/4" - 7	7"
BH-7090-84	1-1/4" - 7	8"
BH-7090-85	1-3/8" - 6	4"
BH-7090-86	1-3/8" - 6	5"
BH-7090-87	1-3/8" - 6	6"
BH-7090-88	1-3/8" - 6	7"
BH-7090-89	1-3/8" - 6	8"

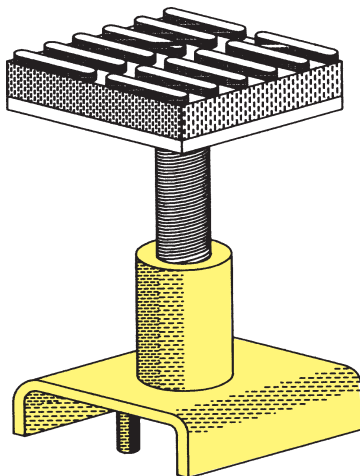


FEATURES:

- Replaceable Rubber Pad - order BH-7750-02

Made to fit any lift using either 1" - 8, 1-1/4" - 7 or 1-3/8" - 6 threads or 1-3/8" - 4 acme. Identify thread size from the lift you are working on, determine length and select the part number for the item(s) you would like us to ship.

Height Extension Adapters for In-Ground & Surface Mount Lifts



Type - ASPR

This extension fits:
ROTARY - flip-up cast adapter.

SVI Part #	for Lift Mfg by:	Height
BH-9789-97	Rotary	4-6"

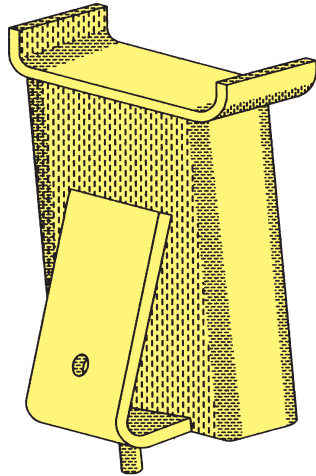


FEATURES:

- Replaceable Rubber Pad - order BH-7101-00

P
a
g
e

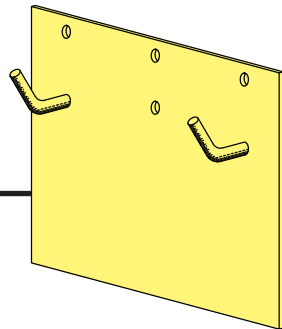
Height Extension Adapters for In-Ground & Surface Mount Lifts



Type - SOR

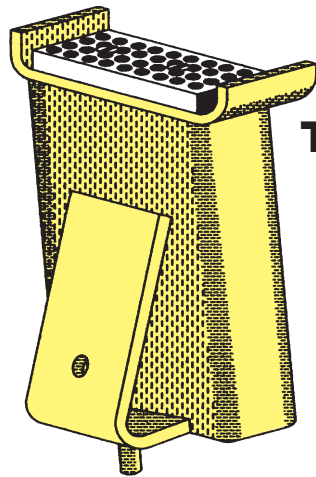
This extension fits:
ROTARY - flip-up cast adapter

SVI Part #	for Lift Mfg by:	Height
BH-9755-50	Rotary	9"
BH-9755-50A	Rotary	11"



Hanger Brackets Available
Two piece hangers for pre-drilled columns or wall mounting. Each pair holds four BH-9755-50 series extensions.

Order BH-9755-50H for a set of 2 hangers
OR
Order BH-9755-50S for a set of 2 hangers and 4 (BH-9755-50) Height Extensions



Type - SORP

This extension fits:
ROTARY - flip-up cast adapter

SVI Part #	for Lift Mfg by:	Height
BH-9755-50B	Rotary	9"
BH-9755-50C	Rotary	11"

FEATURES:

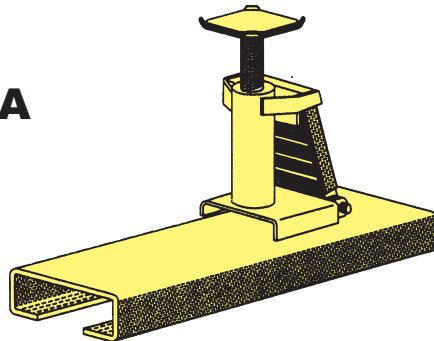
- **Replaceable Rubber Pad - order BH-9755-50-1**

SVI carries many additional styles of height extensions. If you don't see what you need, please call your SVI Sales Representative!



Height Extension Adapters for In-Ground & Surface Mount Lifts

Type - SORNA

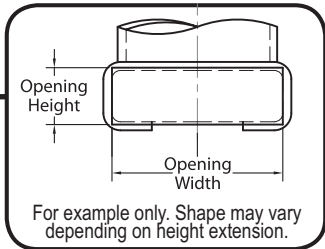


This extension fits:
ROTARY - flip-up cast adapter
WHEELTRONIC - (Snap-on) flip-up cast adapter

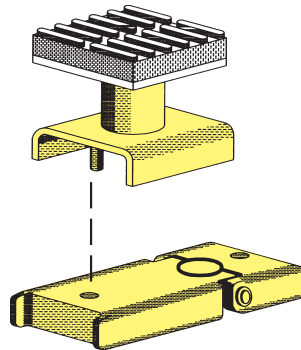
FEATURES:

- Replaceable Rubber Pad -
Order BH-7235-90AX
Kit: BH-7235-90K

SVI Part #	for Lift Mfg by:	Height	Opening Width	Opening Height
BH-9755-49	Rotary	8" - 12"	4-7/8"	1"
BH-7790-00	Wheeltronic	8" - 12"	4-1/4"	1"
BH-9712-07N	Western	8" - 12"	5-1/4"	1"



Type - SPR



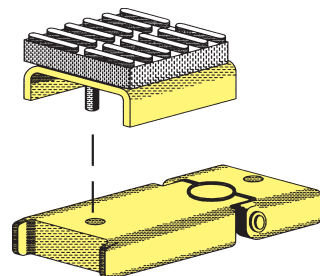
This extension fits:
ROTARY - flip-up cast adapter

FEATURES:

- Replaceable Rubber Pad -
order BH-7101-00

SVI Part #	for Lift Mfg by:	Height	Opening Width	Opening Height
BH-9789-93	Rotary	3"	4-11/16"	1"
BH-9789-94	Rotary	4"	4-11/16"	1"
BH-9789-95	Rotary	5"	4-11/16"	1"
BH-9789-96	Rotary	6"	4-11/16"	1"

Type - SPR1



This extension fits:
ROTARY - flip-up cast adapter

Intended more as a protective rubber pad assembly to protect undercoating rather than a Height Extension.

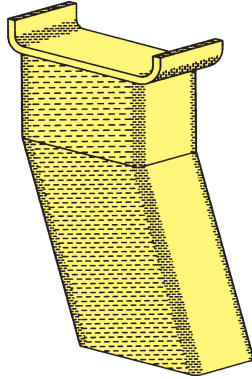
FEATURES:

- Replaceable Rubber Pad -
order BH-7101-00

SVI Part #	for Lift Mfg by:	Height	Opening Width	Opening Height
BH-9789-98	Rotary	1"	4-11/16"	1-3/16"

Page

Height Extension Adapters for In-Ground Lifts



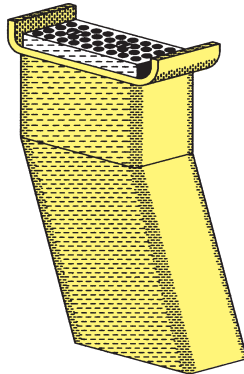
**Type
SOM**

This extension fits:

FORD SMITH - flip-up cast adapter
GILBARCO - flip-up cast adapter
GLOBE - flip-up cast adapter
MANITOWOC - flip-up cast adapter
WESTERN - flip-up metal adapter

SVI Part #	for Lift Mfg by:	Height
BH-9380-02	Gilbarco	9"
BH-9420-13	Globe & Manitowoc	9"
BH-9712-07	Western	9"

**Type
SOMP**



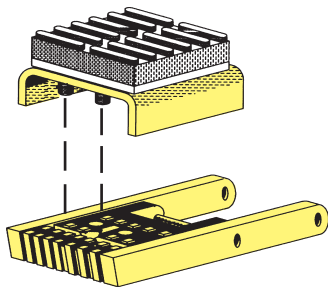
FEATURES:

- **Replaceable Rubber Pad**
BH-9900-10

This extension fits:

FORD SMITH - flip-up cast adapter
GILBARCO - flip-up cast adapter
GLOBE - flip-up cast adapter
MANITOWOC - flip-up cast adapter
WESTERN - flip-up metal adapter

SVI Part #	for Lift Mfg by:	Height
BH-9380-03	Gilbarco	9"
BH-9420-13P	Globe & Manitowoc	9"
BH-9712-07A	Western	9"



Type - SPCW1

Intended more as a protective rubber pad assembly to protect undercoating rather than a Height Extension.

FEATURES:

- **Replaceable Rubber Pad** -
order BH-7101-00

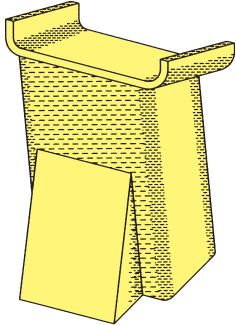
This extension fits:

CHALLENGER - flip-up cast adapter
WEAVER - flip-up cast adapter

SVI Part #	for Lift Mfg by:	Height	Opening Width	Opening Height
BH-9681-06	Challenger/Weaver	1"	5-7/8"	1"



Height Extension Adapters for In-Ground Lifts



Type - SOCW

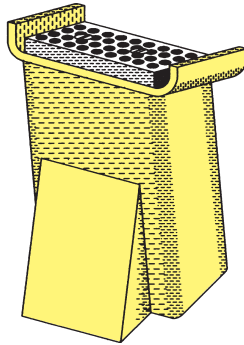
This extension fits:
CHALLENGER - flip-up cast adapter
WEAVER - flip-up cast adapter

SVI Part #	for Lift Mfg by:	Height
BH-9680-01	Challenger/Weaver	9"
BH-9680-01A	Challenger/Weaver	11"

Type - SOCWP

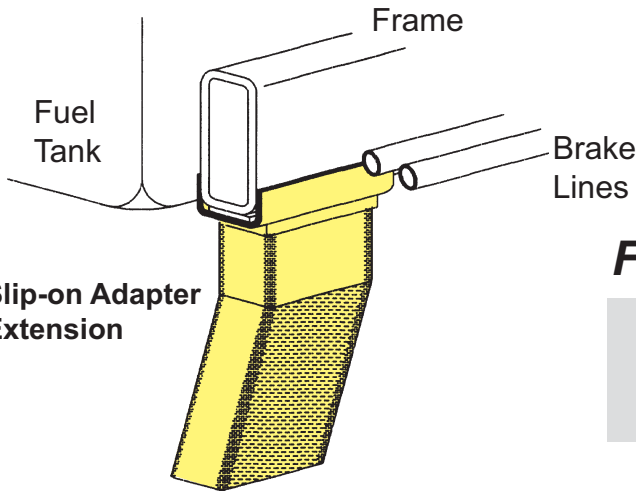
FEATURES:

- Replaceable Rubber Pad
BH-9900-10



This extension fits:
CHALLENGER - flip-up cast adapter
WEAVER - flip-up cast adapter

SVI Part #	for Lift Mfg by:	Height
BH-9680-01B	Challenger/Weaver	9"
BH-9680-01C	Challenger/Weaver	11"



Type - SONRW

For close to frame obstructions

Commonly sold for use on the rear of late model trucks. Avoids denting or puncturing fuel tank and smashing brake lines.

SVI Part #	for Lift Mfg by:	Height
BH-9420-27	Globe/Ford Smith	9"
BH-9755-48	Rotary	9"
BH-9680-00	Challenger/Weaver	9"

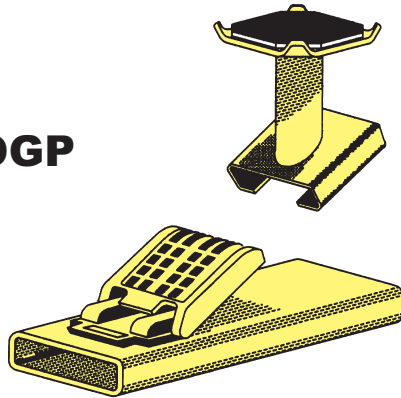
FEATURES:

- Replaceable Rubber Pad

These adapters are "Specials" and are Made-to-Order. Please call an SVI representative for a price quote.

Height Extension Adapters for In-Ground Lifts

Type - SOGP



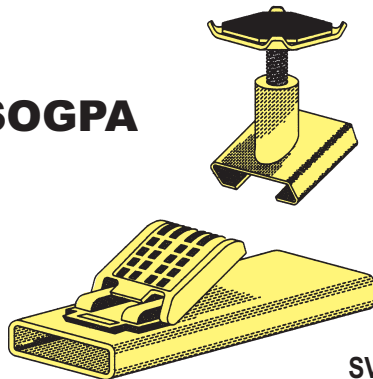
This extension fits:
GILBARCO - flip-up cast adapter
GLOBE - flip-up cast adapter

FEATURES:

- Replaceable Rubber Pad
BH-7225-01 • Kit: BH-7225-01-4

SVI Part #	for Lift Mfg by:	Height	Opening Width	Opening Height
BH-9380-04	Gilbarco	8-1/2"	5-3/4"	1-1/2"
BH-9420-25	Globe	8-1/2"	5-11/16"	1-1/5"

Type - SOGPA

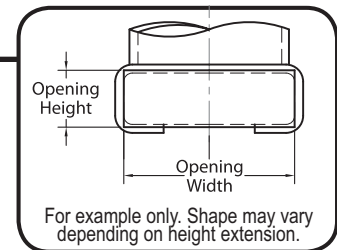


This extension fits:
GILBARCO - flip-up cast adapter.
GLOBE - flip-up cast adapter.

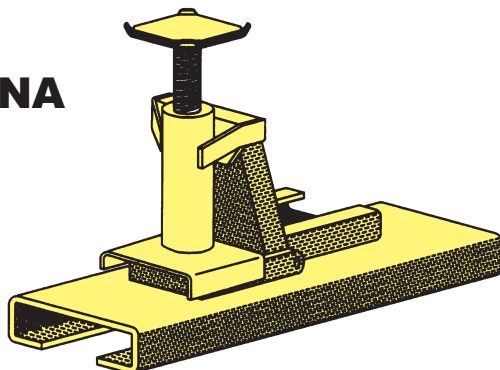
FEATURES:

- Replaceable Rubber Pad
BH-7225-01 • Kit: BH-7225-01-4

SVI Part #	for Lift Mfg by:	Height	Opening Width	Opening Height
BH-9380-05	Gilbarco	7" - 10"	5-3/4"	1-1/2"
BH-9420-26	Globe	7" - 10"	5-11/16"	1-1/2"



Type - SOWNA



This extension fits:
WESTERN - flip-up metal adapter.

FEATURES:

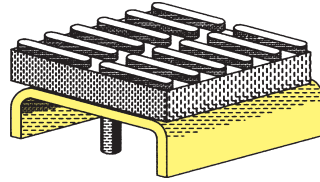
- Replaceable Rubber Pad -
Order BH-7235-90AX
or Kit: BH-7235-90K

SVI Part #	for Lift Mfg by:	Height	Opening Width	Opening Height
BH-9712-07N	Western	8" - 12"	5-1/4"	1"



Height Extension Adapters for In-Ground Lifts

Intended more as a protective rubber pad assembly to protect undercoating rather than a Height Extension.



Type - SPW1

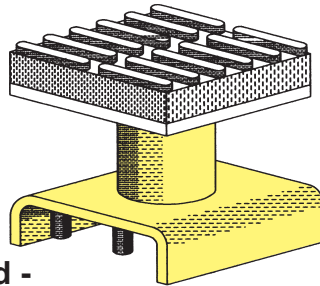
This extension fits over:
WESTERN - flip-up metal adapter

FEATURES:

- Replaceable Rubber Pad - order BH-7101-00

SVI Part #	for Lift Mfg by:	Height	Opening Width	Opening Height
BH-9712-13	Western	1"	5-1/4"	1-3/16"

Type - SPCW

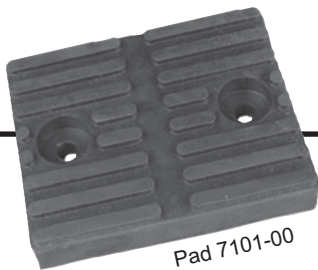


This extension fits over:
CHALLENGER - flip-up cast adapter
WEAVER - flip-up cast adapter

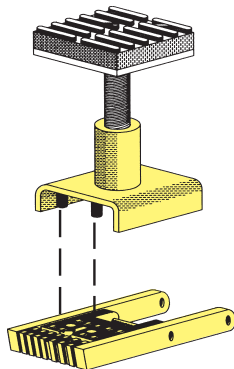
FEATURES:

- Replaceable Rubber Pad - order BH-7101-00

SVI Part #	for Lift Mfg by:	Height	Opening Width	Opening Height
BH-9681-01	Challenger/Weaver	3"	5-7/8"	1"
BH-9681-03	Challenger/Weaver	5"	5-7/8"	1"
BH-9681-04	Challenger/Weaver	6"	5-7/8"	1"



Type - ASPCW



This extension fits over:
CHALLENGER - flip-up cast adapter
WEAVER - flip-up cast adapter

FEATURES:

- Replaceable Rubber Pad - order BH-7101-00

SVI Part #	for Lift Mfg by:	Height	Opening Width	Opening Height
BH-9681-05	Challenger/Weaver	4" - 6"	5-7/8"	1"

Shims are In-Stock! Order Today!

- BH-7512-89 • 1/4" Black - Pack of 50
- BH-7512-90 • 1/16" Blue - Pack of 50
- BH-7512-91 • 1/8" Red - Pack of 50
- BH-7512-92 • Assortment - 150 Shims



Additional Height Extensions for Benwil Models

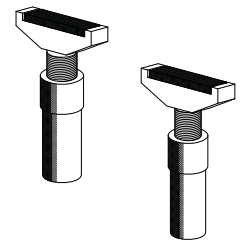
Pick-up Pad Assemblies

SVI Part #	OEM #	For Model:	Collar
BH-7208-66B	100965	BW-9, GPOA-9, GPOA-10	2-1/4"
BH-7209-99	100946	BW-7, T-PRO-7, GPOA-7	2"
BH-7205-02		old GP/GPO-7	2-3/8" w/lip on top
BH-7205-02OV		TP/TPO-7 OEM arms	N/A
BH-7209-03		TP-9	3"

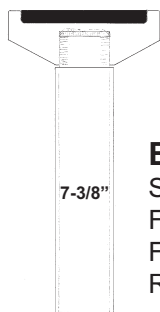
Don't see what you need, please call. SVI can help! We have more options.

Truck Extensions

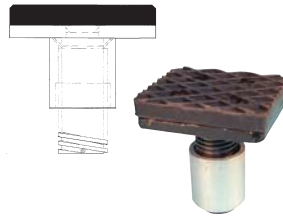
SVI Part #	OEM #	For Model:	Collar
BH-7201-81	TA-7	GP/GPO-7	2.44"
BH-7210-03A	100945	GPOA-7, GPOA8, GPOA7, TPRO-7, BW7	2"
BH-7207-01	101086	GPOA9, GPO9, BW9, BWO9, GPOA10	2-1/4"
BH-7207-97	101006 / 100963	GP9 & GPO9 (set of 4)	
BH-7206-36	100962	BW-9 & BWO-9	
BH-7200-12	100987	Most Models	



See table of contents for more height extensions for Benwil lifts.



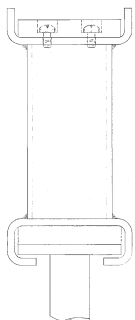
BH-7206-36
Screw Adapter Ext.
For Benwil
Fits: BW-9 & BWO-9
Replaces OEM # 100962



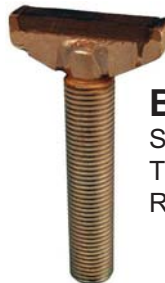
BH-7209-99
Truck Adapter Ext. For Benwil
Fits: BW-7, T-PRO-7 & GPOA-7
Replaces OEM # 100946



BH-7207-01
Truck Adapter Ext.
For Benwil
Fits: BW-9, BWO-9 & GPOA-9
Replaces OEM # 101086
Max Height is about 9"



BH-7200-12
(BH-7206-87 was replaced by BH-7200-12)
6" Height Extension
For Benwil
Fits: Most Models
Replaces OEM # 100987



BH-7206-34
Screw Assembly,
Truck Adapter for Benwil
Replaces OEM # 100955



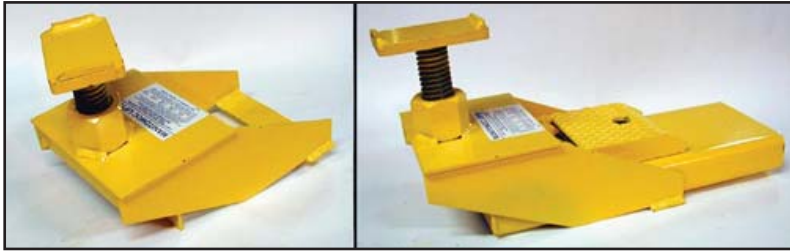
BH-7207-97
Truck Adapter Ext.
For Benwil
Fits: GP-9 & GPO-9
Replaces OEM # 101006 or 100963



BH-7208-66B
Lift Pad Assembly
For Benwil
Fits: BW-9 and GPOA9
Replaces OEM # 100965



Additional Height Extensions for Manitowoc & Gilbarco Models



BH-9380-01 / OEM # K34154

For Side-By-Side and Single-Post Models:

A-1AB1, A-1AB2, A-1AB3, A-1AB4, A-12D3,
A-12D4, A-12E3, and A-12E4

Kit includes four (4) adapters for use on 1-3/4" Thick Swing Arms Only. Adjustable pad raises from 7-3/4" to 12" off the ground. Lifts light trucks and vans.



BH-7352-03 / OEM# K34314

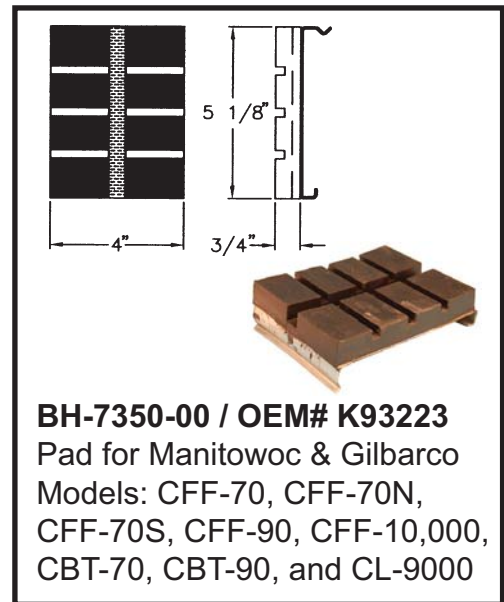
Pad for Manitowoc & Gilbarco
ATF-70B, ATF-70 and ATF-55



BH-7352-01 / OEM # K34155 Pick-Up Pad Height Extender Adapters Kit (set of 4 adapters)

For use on Gilbarco ATF-55 & ATF-70 above-ground lifts

- Each supports 1,750 lbs.
- Adapters can be rotated 360° for easy positioning
- Adapters extend for 5" to 6-1/2" above the top of the swing arm.



BH-7350-00 / OEM# K93223

Pad for Manitowoc & Gilbarco
Models: CFF-70, CFF-70N,
CFF-70S, CFF-90, CFF-10,000,
CBT-70, CBT-90, and CL-9000

SVI is proud to have Manitowoc Lifts as an SVI Brand Product Line.

Call today to get repair parts for your Manitowoc or Gilbarco lift!

SVI has what you need! Call: 800-321-8173



B-100-69 (K93218) 8" Height Adapter For Manitowoc:

Sold individually. If you need a full kit of 4, just let us know. Adapters lock onto lift pads.



BH-7352-18 (K93216) 4" Height Adapter Kit (4 Adapters)

For Use on Models: CFF-70, CFF-70N, CFF-70S,
CFF-90, CFF-10,000, CBT-70, CBT-90, and CL-9000
Kit includes four (4) adapters. Adapters lock onto lift pads.

See table of contents for more height extensions for Manitowoc Lifts and Gilbarco.

All names, numbers, symbols and descriptions are used for reference purposes only. It is not implied that any part listed is the product of these manufacturers; however, some parts may be the actual product of these manufacturers.

Additional Height Extensions for Rotary Models



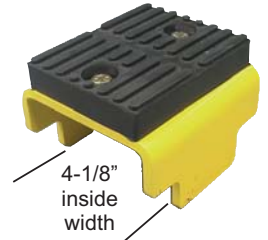
BH-7500-90
Replaces OEM# FJ6137
Adapter and Mounting
Rack Kit (kit of 4)



BH-7508-61
Replaces OEM# FJ7735-2
Rectangular
Adapter Pad



BH-7502-01
Replaces OEM# FJ697
Rubber Pad Adapter (Low)
Also Available: **BH-7502-06** (High)



BH-7500-80-1
Swing Arm Adapter
for Rotary



BH-7542-66
(Replaces OEM# FJ6202)
Round Thread Up Adapter with Pad
Order Pad Kit: **BH-7542-66PK**



BH-9755-70AR

Designed for SPO/SPOA lift models. These truck extensions lock in and encapsulate the entire high and low step assembly placing the load directly over the adapter swivel pin. This provides maximum stability and a proper method to reach the lifting points on F350 and 3500 series trucks. There are many different inner arm configurations found on SPO and SPOA models.

Please specify exact lift model when ordering or inquiring.



BH-7536-96
Replaces OEM#
FJ6214 / FJ6182 / FJ6159ZN
Rubber Pad Adapter Base
with pad (for SPOA7 / SPO9RA)
Order Kit (shown): **BH-7536-97K**



BH-7536-53
Replaces OEM#
FJ7822-4
5" Aluminum Height
Ext. for SPO15/18



BH-7536-54
Replaces OEM#
FJ7822-5
10" Aluminum Height
Ext. for SPO15/18



BH-7536-51
Replaces OEM# FJ7822-2
Rubber Adapter
For Rotary

Nesting Style Height Extensions for In-Ground (Aluminum)

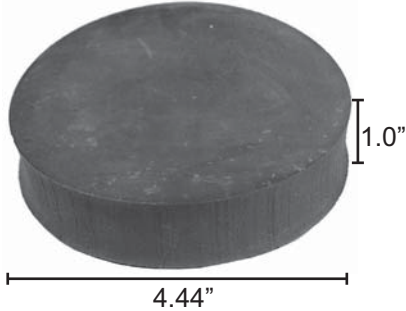
SVI Part #	for Lift Mfg:	OEM	Height	Pin Width	Pin Height
BH-9791-42	Rotary	FD2339	5"	3"	2-3/4"
BH-9791-43	Rotary	FD2338	8"	3"	2-3/4"

(Not Pictured)
BH-9763-14
Replaces OEM#
FD2343
Adapter with Bar Stops



REPLACEMENT RUBBER ARM PADS

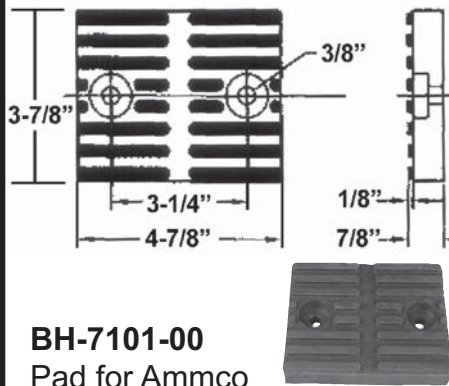
For Acanus / Ashawa



BH-7145-34

Pad for Acanus/Ashawa

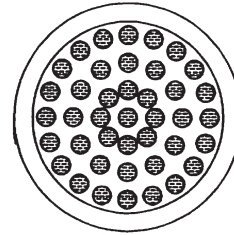
For Ammco & Challenger



BH-7101-00

Pad for Ammco & some Challenger lifts
or buy a set of 4 **BH-7101-00-4**

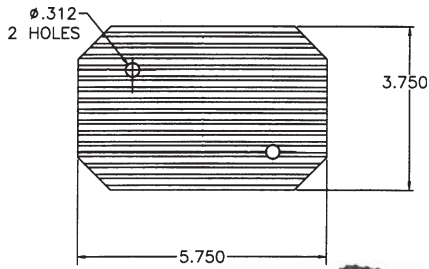
For ALM



BH-7150-02

Pad for ALM

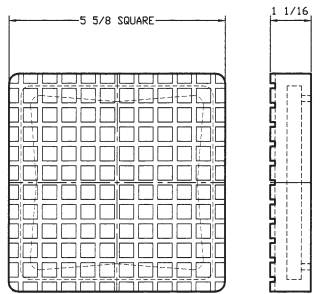
For Alamo ASSSA



BH-7165-02

Pad for Alamo ASSSA

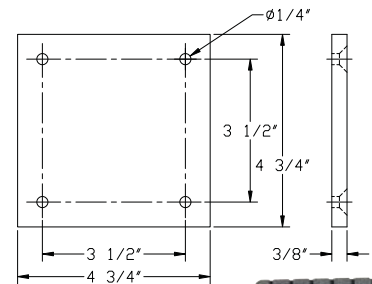
For Bend-Pak



BH-7479-55

Pad for Bend-Pak
kit of 4 **BH-7479-55-4**

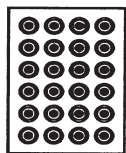
For Bend-Pak & Globe



BH-7256-20P

Pad for Bend Pak/
Globe GV Series

For Bend-Pak & Western



BH-7475-01 Pad for Bend-Pak & some Western Lifts

For Adapter with a replaceable Rubber Pad order **BH-7475-01R**

uses BH-7101-00 as Pad
Replacement Pad Kit: BH-7475-01-4



For Bend-Pak



BH-7474-78

(OEM Ref: 5715017)
Round Slip Over
Pad for Bend-Pak

For Bend-Pak



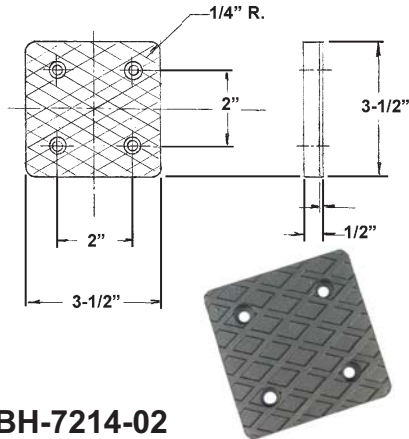
BH-7474-79

(OEM Ref: 5215507)
Round Lift Pad
Adapter for Bend-Pak

**Many of our pads are available in kits for a whole lift.
Ask your SVI representative if your pads are available in a kit!**

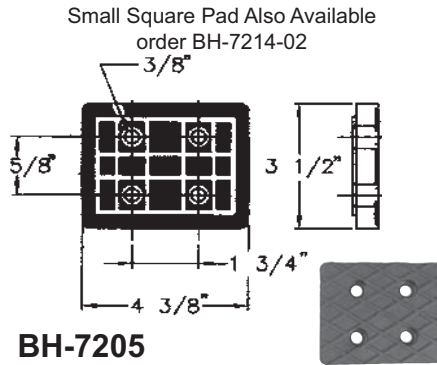
REPLACEMENT RUBBER ARM PADS

For Benwil



BH-7214-02
Small Rubber Arm Pad for Benwil

For Benwil & Bishamon



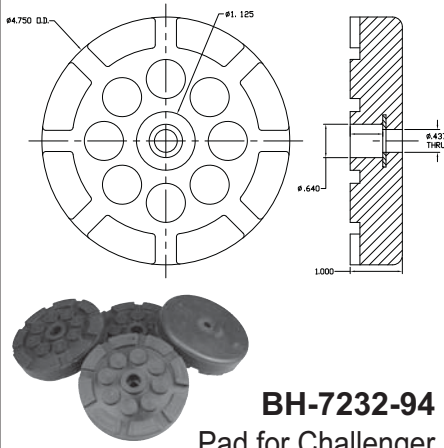
BH-7205
Pad for Benwil & Bishamon
Metric screws order **BH-7205-01**
or buy a set of 4 **BH-7205-4**

For Challenger



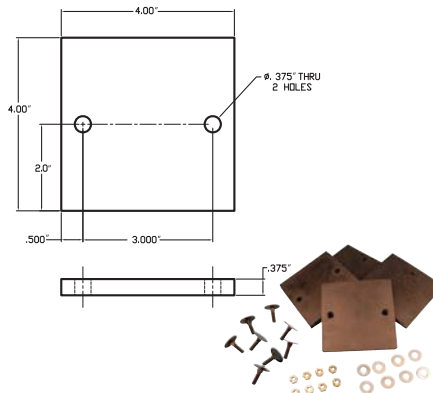
BH-7232-93
Pad for Challenger

For Challenger



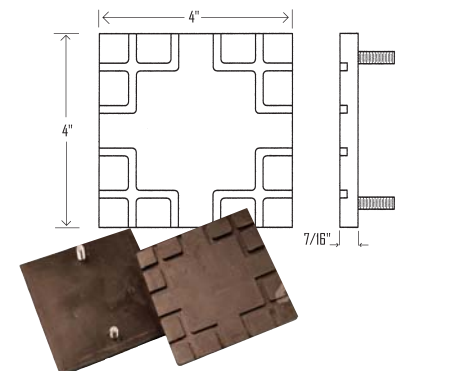
BH-7232-94
Pad for Challenger

For Challenger



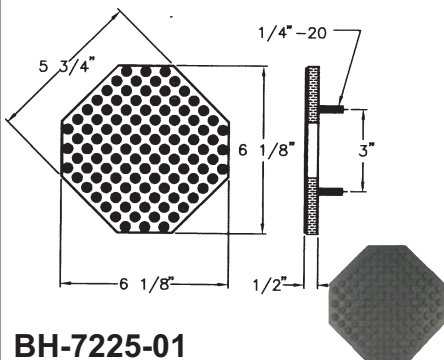
BH-7232-01HD-4 Kit of 4
Heavy Duty Pads for Challenger

For Challenger



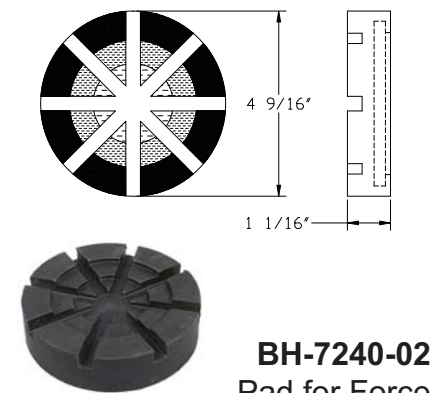
BH-7232-01
Pad for Challenger
Heavy Duty: **BH-7232-01HD-1** / **BH-7232-01HD-4**

For Challenger & VBM



BH-7225-01
Pad for Challenger & VBM
or buy a set of 4 **BH-7225-01-4**
Heavy Duty: **BH-7225-01X** / **BH-7225-01K**

For Force



BH-7240-02
Pad for Force
Also see *Nussbaum BH-7450-02*

Insist on SVI Direct Fit™ brand Products!

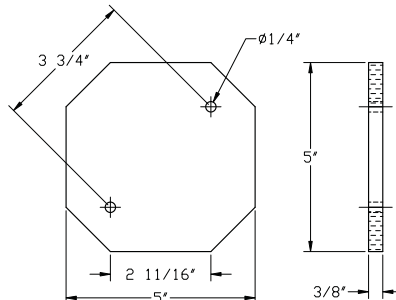
SVI will meet or beat anyone's advertised price.

**Many of our pads are available in kits for a whole lift.
Ask your SVI representative if your pads are available in a kit!**



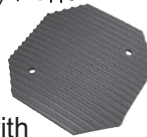
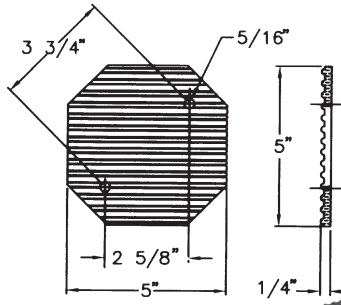
REPLACEMENT RUBBER ARM PADS

For Forward



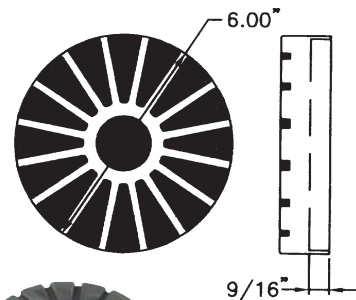
BH-7235-90AX
Heavy Duty Pad
for Forward
or buy a kit of 4 **BH-7235-90K**

For Forward



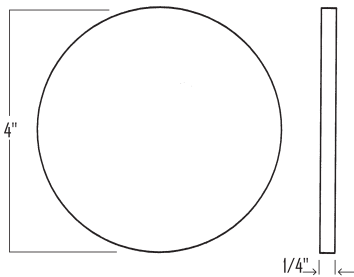
BH-7235-90A
Pad for Forward
Also sold in kits of 4 with
hardware; order **BH-7235-90** for kit

For Fuchs - Zippo



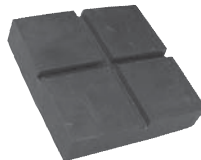
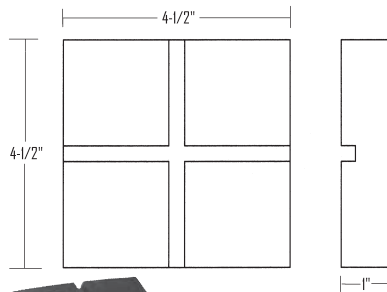
BH-7243-01
Pad for
Fuchs - Zippo

For Globe & Ford Smith



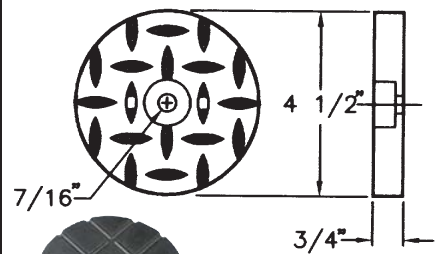
BH-7250-02T
Adhesive Style
Pad for Ford Smith/Globe

For Globe & Ford Smith



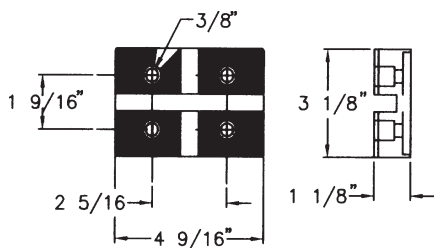
BH-7250-03P
Pad for Ford Smith/Globe

For Globe & Ford Smith



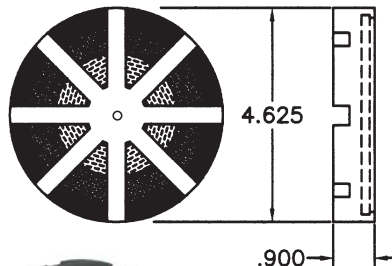
BH-7250-02
Pad for Globe & Ford Smith

For Globe



BH-7250-01
Pad for Globe
Kit: **BH-7250-01-4**

For Hofmann



BH-7276-00
Pad for Hofmann

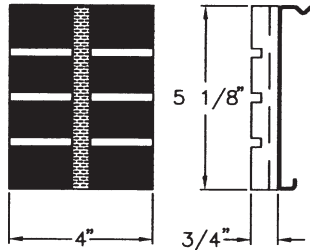
Insist on SVI Direct Fit™
brand Products!

**SVI will meet or
beat anyone's
advertised price.**

*Many of our pads are available in kits for a whole lift.
Ask your SVI representative if your pads are available in a kit!*

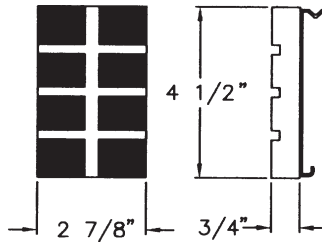
REPLACEMENT RUBBER ARM PADS

For Manitowoc & Gilbarco



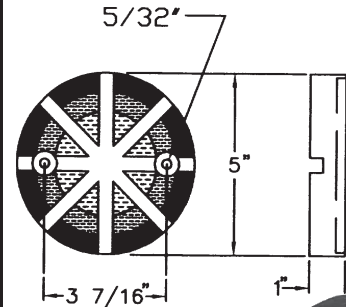
BH-7350-00
Pad for Manitowoc & Gilbarco

For Manitowoc & Gilbarco



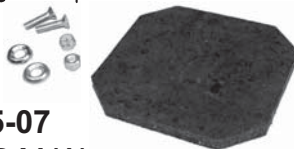
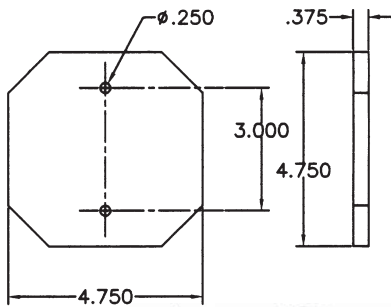
BH-7352-03
Pad for Manitowoc & Gilbarco

For Nussbaum (and More)



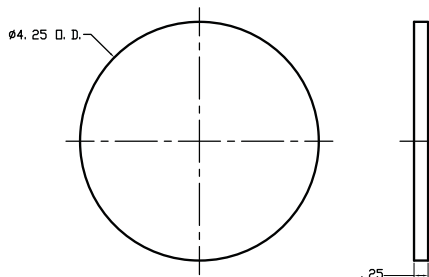
BH-7450-02
Pad for Nussbaum,
Force, Hydra Lift
Kit: BH-7450-02-4

For P M W



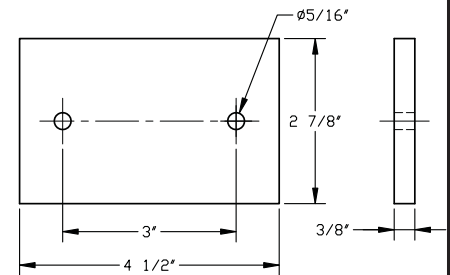
BH-7435-07
Pad for P M W

For Rotary



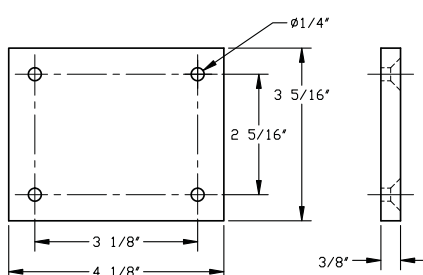
BH-7515-73
Pad for Rotary

For Rotary



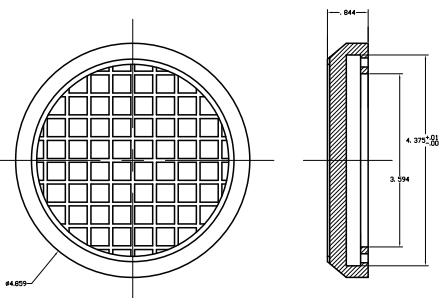
BH-9755-50-1
Pad for Rotary

For Rotary



BH-7536-92P
Pad for Rotary

For Rotary



BH-7542-66P
Pad for Rotary

Insist on SVI Direct Fit™ brand Products!

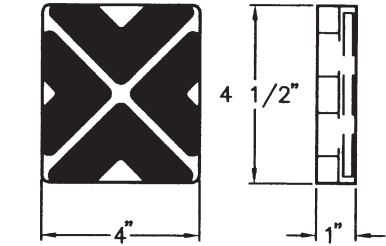
SVI will meet or beat anyone's advertised price.

**Many of our pads are available in kits for a whole lift.
Ask your SVI representative if your pads are available in a kit!**



REPLACEMENT RUBBER ARM PADS

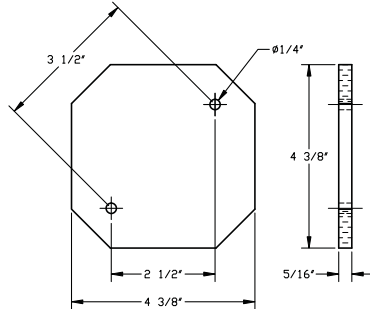
For Western, Grand & Worth



BH-7750-02

Pad for Western, Grand & Worth

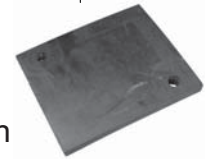
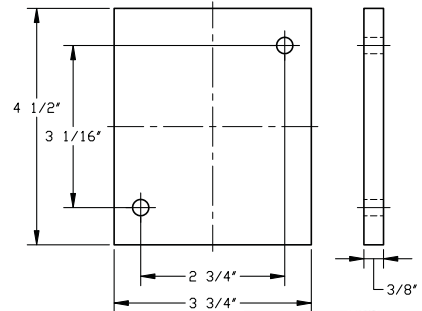
For Western



BH-7771-32

Pad for Western

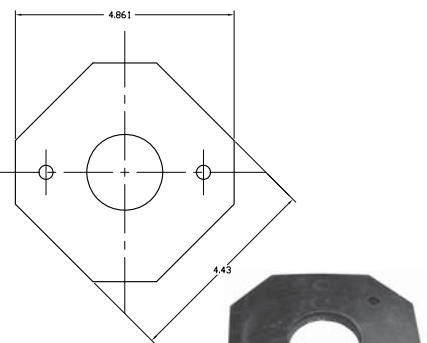
For Western



BH-7771-51P

Pad for Western

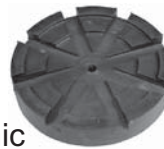
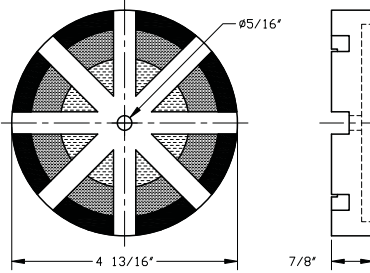
For Western



BH-7771-32H

Pad for Western with Center Hole (incl. hardware)

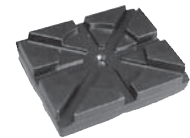
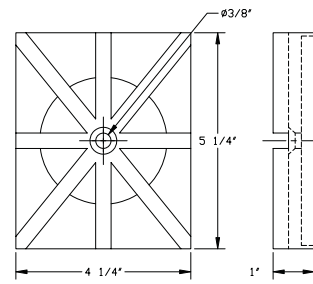
For Wheeltronic



BH-7793-54

Pad for Wheeltronic

For Wheeltronic

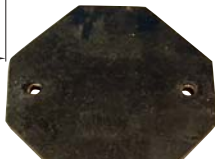
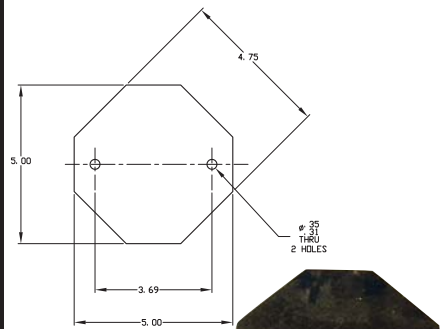


BH-7805-168

Pad for Wheeltronic

Order Kit: **BH-7805-168-4**

For Whip



BH-7820-04

Pad for Whip

0.38" Thick

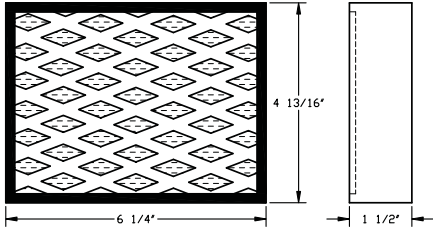
Don't see the pad you need? Just ask!

Custom requests can be made for large quantity orders.

*Many of our pads are available in kits for a whole lift.
Ask your SVI representative if your pads are available in a kit!*

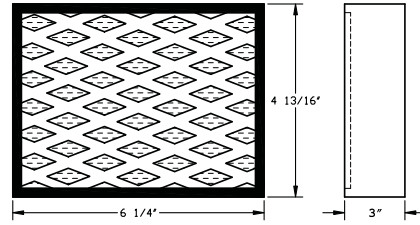
REPLACEMENT RUBBER ARM PADS

For a Variety of Models



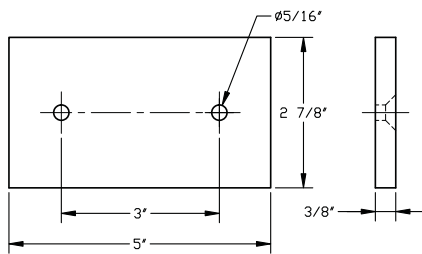
BH-9756-86 • 1-1/2" Thick
Stack Pad for Rolling
Bridges and also for
Low and Mid Rise Lifts
used for Tire Changes

For a Variety of Models



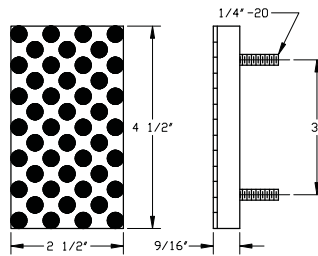
BH-9756-87 • 3" Thick
Stack Pad for Rolling
Bridges and also for
Low and Mid Rise Lifts
used for Tire Changes

For a Variety of Models



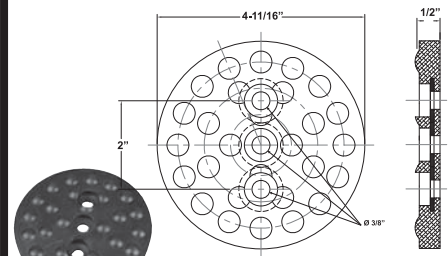
BH-9900-10
Pad for SOMP extensions

For a Variety of Models



BH-9900-10A
Pad for NRW extensions

For a Variety of Models



BH-7560-04
This pad is a "universal" pad and
has 3 holes (previously 1 hole) and
is for 1 or 2-hole applications. It
replaces **BH-7560-11** (had 2 holes).
Pad for Powerrex,
Complete Hydraulics, Globe.

C5 Corvette Lift Pads



BH-7077-04C5 (Set of 4)
C5 Corvette Lift Pads
Fits C5 & C6 Corvettes,
Cadillac Roadster, and Nomad.

**Many of our pads are available in kits for a whole lift.
Ask your SVI representative if your pads are available in a kit!**

SVI ALSO OFFERS:

Custom Adapters for In-Ground Lifts!

Put SVI's engineering expertise to work for your customers so everyone can rest assured that their SVI-made special adapters are right for the job. Bring us your custom adapter requirements and for no extra charge SVI engineers will design the proper strength that you need.

SVI can tailor make adapters for most makes and models of lifts found in the field. We enjoy the aspect of problem solving and using our knowledge and creativity to come up with solutions that fit.



Custom Saddle for RV Manufacturer

This saddle was designed by SVI engineers to meet the needs of an RV manufacturer whose chassis had changed. It fits on a model AC-1010 lift that was produced by Western Hoist. This saddle and adapter package provides extended reach capability and quick position pad style adapters.



Fits Rotary
AT70 Models

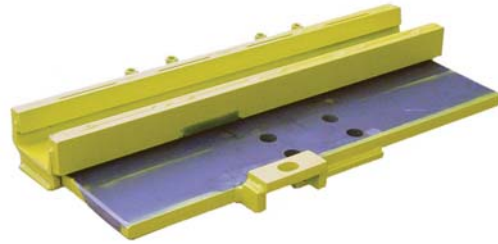
can be made to fit other
makes and models.

Modified Saddle with Special Adapters

A valued distributor in Indiana needed help with a special application that presented itself. The standard saddle and adapter combination that was originally supplied on their customers Rotary lift did not properly reach the lifting points to accommodate some newly purchased vehicles. This meant they were having difficulty in properly and safely lifting the new wider wheelbase vehicles and something needed to be done. SVI was the first and most logical choice to handle such a request. After listening to the scope of the job and the exact requirements, SVI went immediately to work. The customer needed a modified saddle with special adapters for an older Rotary lift model AT70E that would provide 70" of reach yet still allow for continued use of the standard adapters that were originally supplied. SVI was able to do it all and even upgrade the strength of the saddle at the same time. When fast turn around and special requirements go hand in hand, SVI is your answer!



Rubber Pad Adapter
For Globe In-Ground
BH-9420-29



Custom Sliding Saddle Assembly

This custom sliding saddle assembly was designed to fit a fleet of trucks with a longer wheelbase. SVI's engineering team solved the problem so the trucks were able to be lifted properly for service. The sliding saddle assembly was designed so the lift's capacity would not need to be downrated and the customer was able to reuse their existing adapters.

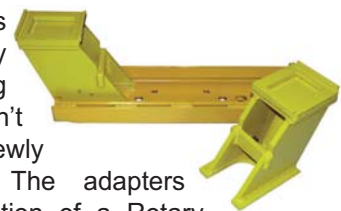
BH-9755-55A are custom designed rear adapters that have become a standard in the SVI product line. The adapters are for use on Rotary fore and aft bus and truck lifts. The 17" height provides more clearance around the differential.



BH-9667-20TS is for use in saddles found on the rear section of 10-5/8" and 12-5/8" Weaver and SVI heavy duty lift models. This adapter is made special to provide more clearance between the saddle and the differential housing on some newer model trucks. The 20TS is a 3" taller version than its cousin the -20 and is constructed with a full 3/4" thick riser plate.

Custom Heavy Duty Adapters

As new models of trucks and buses are introduced by the manufacturers, existing heavy duty lift adapters don't always match up with newly designed undercarriages. The adapters pictured (right) are a variation of a Rotary design but made both taller than standard and intended to fit a Weaver saddle. These adapters properly solved clearance issues the shop was encountering.



The adapter pictured left was built for a municipal garage that purchased a Sterling tandem axle truck that would be used in the winter to plow and spread salt. This adapter allows the shop to lift the Sterling truck safely between the tandem axles rather than just by one of the two axles. It was also designed to still function as axle engaging for their other single axle vehicles. This adapter solved the problem and handles all of their vehicles so adapter switches never need to be made.



**TERMS AND CONDITIONS OF THE
SALES ORDER
FOR SVI INTERNATIONAL, INC.**

1. **GENERAL.** The terms and conditions of sales order outlined herein shall apply to the sale by SVI INTERNATIONAL, INC. (hereinafter referred to as "Company") of the items described on the facing page (hereinafter referred to as "Merchandise") to Purchaser.
2. **DELIVERY.** Delivery shall be deemed to be complete when the Merchandise has been shipped F.O.B. Company's plants in DeKalb, Illinois, Duarte, California; and Baltimore, Maryland ("Company's plants"). Shipments are subject to delays from causes or contingencies beyond the reasonable control of the Company. When otherwise not specified, shipments will be made in standard containers via carrier which, in the judgment of the Company, will result in the most practical method. Title and right of possession will pass to the Purchaser upon receipt by the carrier at the shipping point. If a customer of the Company should specify a specific carrier's method of shipment (i.e. UPS Next Day Air) and that carrier does not perform to the customer's expectations, freight credit to a customer's account will not be issued unless the Company can first obtain a credit.
3. **RISK OF LOSS.** Identification of the Merchandise under Uniform Commercial Code (hereinafter referred to as "UCC") Section 2-501 shall take place at the moment of shipment F.O.B. Company's plants. Risk of loss shall pass to the Purchaser when the Merchandise is shipped from the Company's plants.
4. **TITLE.** Title to the merchandise shall transfer to the Purchaser when the Merchandise is shipped from the Company's plants.
5. **WARRANTIES.** The Company guarantees its products to be free from defects in workmanship and raw materials for a period of one year from date of purchase. THIS WARRANTY IS EXPRESSLY IN LIEU OF ANY AND ALL WARRANTIES EXPRESS OR IMPLIED. COMPANY DOES NOT WARRANT THE MERCHANDISE IS MERCHANTABILITY OR FIT FOR ANY PARTICULAR PURPOSE. Company's liability for breach of the terms of this Agreement, including any warranty, is limited to either refund of the invoice price of the Merchandise or at Company's option, replacement of the Merchandise free of charge, including transportation charges but not including the cost of labor. Purchaser has not relied on any statement or upon the conduct of Company with respect to the prospective use of the merchandise. Company shall not be liable for and Purchaser waives any and all claims for any loss or damage, directly or indirectly, arising from the use of the Merchandise and for punitive, incidental or consequential damages, including, but not limited to, damages to property, for loss of use, loss of time, loss of profit or loss of income. The Company does not authorize the sale of our products under any other warranty, expressed or implied.
6. **SETOFF.** All claims for money due or to become due from the Company shall be subject to deduction by the Company for any setoff or counterclaim arising out of this or any other claims of the Company or its affiliated companies, whether such setoff or counterclaim arose before or after any assignment by Purchaser.
7. **INDEMNIFICATION.** Purchaser agrees to indemnify the Company and hold it harmless from and against all claims, liability, loss, damage or expense, including reasonable counsel fees, arising from or by reason of any modifications or alterations made by Purchaser. If a customer of the Company modifies or alters any part, in any manner whatsoever, or uses any part in departure from recommended performance specifications, said customer agrees to indemnify and hold the Company harmless from and against all liability and expenses based on damage to property or injury to or death of any person arising out of or attributable to such modified or altered part. Further, the Company will not accept any such modified or altered part for credit to a customer's account.
8. **FREIGHT POLICY.** Freight charges on individual orders less than \$3,000 in net value are prepaid and added to invoice or collect F.O.B. shipping point. Freight charges (standard ground service and continental US only) on individual orders more than \$3,000 net value are paid by the Company F.O.B. shipping point. Note: customers with C.O.D. terms are responsible for all carrier C.O.D. fees regardless of order net value.
9. **RETURN POLICY.** To return parts for credit or inspection Purchaser must first contact the Company to obtain a Return Goods Authorization number (RGA#). Once Purchaser has obtained an RGA# the parts can be returned freight prepaid only. The RGA# must be on the outside of the container in a highly visible location. All parts must be returned freight prepaid and the shipment must include a letter of explanation giving the specific reason for return including details as to the conditions under which the part or parts operated. Note: parts returned without an RGA#, freight collect or without written explanation may be refused. Parts which have been used in any way or manner, including any installation or incorporation into a lift or hoist, shall NOT be eligible for return whether or not an RGA has been assigned.
10. **RESTOCK CHARGE.** Returns are subject to up to twenty-five (25%) restocking charge. Refusals are subject to the same restocking charge plus the cost of outbound and return freight charges and/or fees incurred by the Company due to shipment refusal.
11. **PRICES AND PAYMENTS.** All prices are subject to change without notice. All prices are F.O.B. shipping point. The Company standard terms are net 30 days, C.O.D. company check, C.O.D. cash, VISA, MasterCard, Discover or American Express. However, if in the judgment of the Company, the financial condition of the Purchaser at any time does not justify shipment according to standard terms of payment, the Company may require full or partial payment in advance.
12. **INTERPRETATION.** This sales order is intended by the parties as a complete and exclusive statement of the terms of their agreement. It supersedes all prior agreements, written or oral. No course of prior dealings between the parties and no usage of the trade shall be relevant to supplement or explain any terms used in this sales order. Acceptance or acquiescence in a course of performance rendered under this purchase order shall not be relevant to determine the meaning of this sales order even though the accepting or acquiescing party has knowledge of the nature of the performance and opportunity for objection. Whenever a term defined by the UCC is used in this sales order the definition contained in the UCC shall control.
13. **MODIFICATION.** This sales order can be modified or rescinded only by a writing signed by both parties.
14. **WAIVER.** No claim or right arising out of a breach of this sales order can be discharged in whole or in part by a waiver or renunciation of the claim or right unless such waiver or renunciation is supported by consideration and is in writing signed by the aggrieved party.
15. **ASSIGNMENT.** No right or interest in this sales order shall be assigned by either party without the written consent of the other and no delegation of any obligation owed, or of the performance of any obligation by either the Company or Purchaser shall be made without the written consent of the other party. Any attempted assignment or delegation not made in conformity with this paragraph shall be wholly void and totally ineffective for all purposes.
16. **TIME TO PERFORM AND BRING ACTION.** Time is of the essence of this sales order. Any action for breach of this sales order shall be commenced within two (2) years after the cause of action has accrued. Any party who loses any litigation shall reimburse the other party for costs including reasonable attorneys fees. The exclusive jurisdiction for any legal action shall be the Circuit Court of DeKalb County, Illinois.
17. **APPLICABLE LAW.** This sales order shall be governed by the UCC of Illinois as effective and in force on the date of this sales order.

Offering the Best in Automotive Lift Repair Parts and More!

Auto Lift Cables • Auto Lift Parts • Brake Lathe Repair Parts
Compressed Air Repair Parts • Exhaust System Products • Fluid Delivery Repair Parts
Lubrication Equipment Repair Parts • Repair Parts for Gasboy Consumer Series
Service Station Pump and Tank Products • SVI Misc Auto Lift Products and Catalogs
Tire Changer Repair Parts • Vehicle Lifting Systems • Wheel Balancer Accessories

Serving the Industry Since 1977 • Same-Day Shipping



SVI International, Inc.
(800) 321-8173 • fax: (800) 899-1784
155 Harvestore Drive • DeKalb, IL 60115
www.sviinternational.com

BALTIMORE • CHICAGO • LOS ANGELES