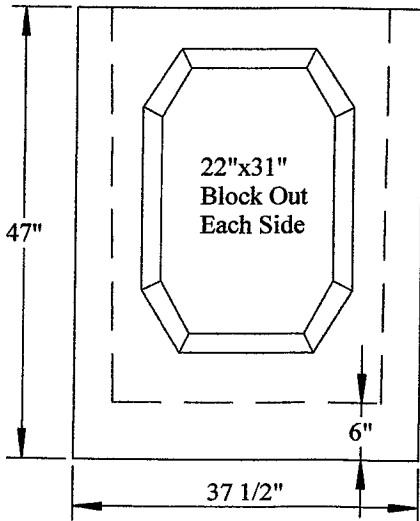
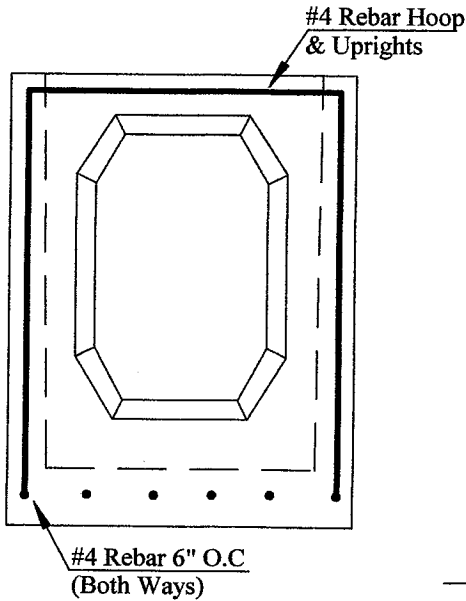


Type D - Ditch Inlet

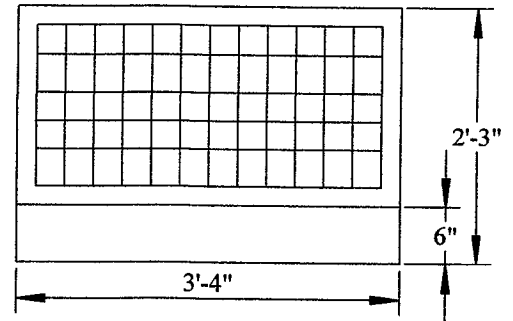
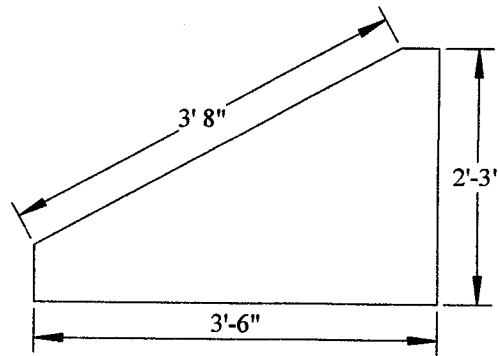
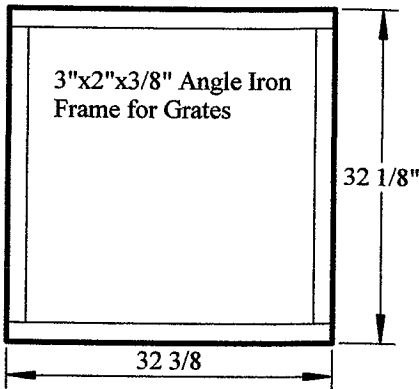
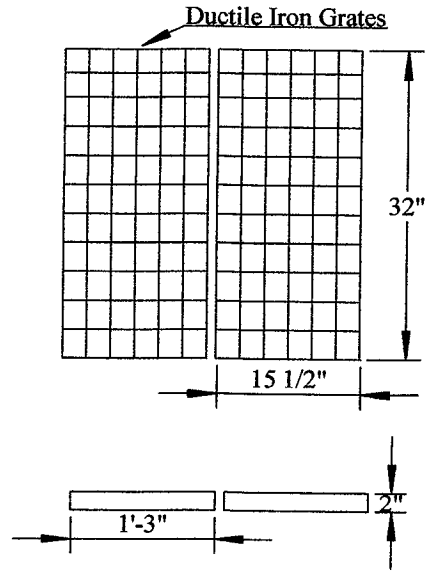
Side



Rebar Placement

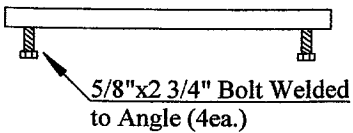


Grate Detail



Profile

Front



Frame Detail

