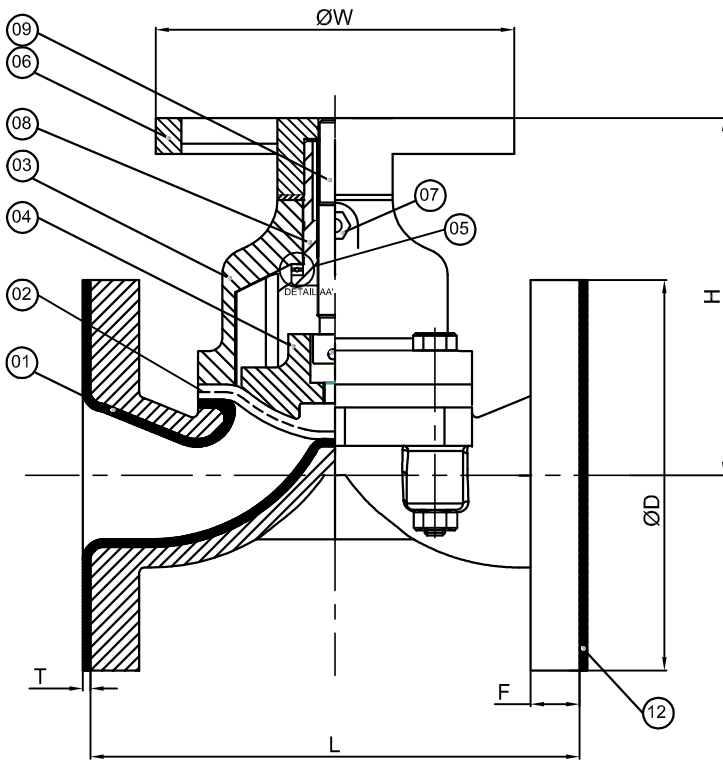




FLUIDCHECK VALVES (P) LTD

DIAPHRAGM VALVE - WEIR TYPE

DRG NO: FCV/DV/SD
 REV NO: 3
 REV DATE: 03 APR 2010



PART #	PART NAME	MATERIAL
01	BODY	CI/ DI/ WCB
02	DIAPHRAGM ^a .	a.
03	BONNET	CI/ DI/ WCB
04	COMPRESSOR	CI
05	THRUST BEARING ^c .	STEEL
06	HAND WHEEL	CI
07	GREASE NIPPLE	BRASS
08	SPINDLE BUSHING	EN1/ EN8
09	SPINDLE	EN8/ SS410
10	LINING ^b .	b.

- a. DIAPHRAGM MATERIAL SUITABLE TO WORKING MEDIUM
- b. LINING MATERIAL SUITABLE TO WORKING MEDIUM
- c. FOR SIZES 80 mm & HIGHER

END CONNECTION TYPE: FLANGED END

FACE TO FACE DIMENSIONS AS PER BS 5156

FLANGE DRILLING AS PER CUSTOMER SPECIFICATION

DESIGN STD : BS 5156
 TESTING STD : BS 6755-1

PRESSURE RATING : PN16 - DN 15 TO DN 25
 : PN10 - DN 32 TO DN 100
 : PN6 - DN 125 TO DN 300



DETAIL AA
THRUST BEARING

INDICATING & NON INDICATING HAND WHEELS AVAILABLE

PNEUMATIC & HYDRAULIC ACTUATORS AVAILABLE

SIZE	FLANGE	BS 5156		DIN 3202		HAND WHEEL ØW	H	LINING THICKNESS T	HYDRO STATIC TEST PRESSURE (bar)	
		L	ØD	ØD	F				SHELL	SEAT
15	108	95	12.7	95	14	60	98	3	24	16
20	117	102	12.7	105	16	60	98	3	24	16
25	127	114	12.7	115	16	80	105	3	24	16
32	146	121	16	140	18	120	140	3	15	10
40	159	133	16	150	18	120	155	3	15	10
50	190	152	17.5	165	20	120	175	3	15	10
65	216	165	17.5	185	20	170	210	3	15	10
80	254	184	19.1	200	22	230	220	3	15	10
100	305	216	19.1	220	24	280	295	3	15	10
125	356	254	20.6	250	26	280	370	3	10	6
150	406	279	20.6	285	26	370	430	4	10	6
200	521	337	22.2	340	26	460	515	5	10	6
250	635	406	25.4	395	28	610	585	5	10	6
300	749	457	25.4	445	28	690	680	5	10	6

MATERIAL SPECIFICATIONS	
CI	- IS210 / FG260
DI	- 450/12
WCB	- A216 / WCB

BODY LINING MATERIALS : NATURAL RUBBER, NEOPRENE, BROMO BUTYL, HYPALON, EPDM, VITON

DIAPHRAGM MATERIALS: NATURAL RUBBER, EBONITE, NEOPRENE, BROMO BUTYL, HYPALON, EPDM, VITON

CUSTOMER: _____

ORDER No.: _____

FLUIDCHECK VALVES P LTD
 PLOT No. 8, ROAD No. 10,
 IDA UPPAL, HYDERABAD - 500039, INDIA

DRAWN : _____

CHECKED : _____

APPROVED : _____