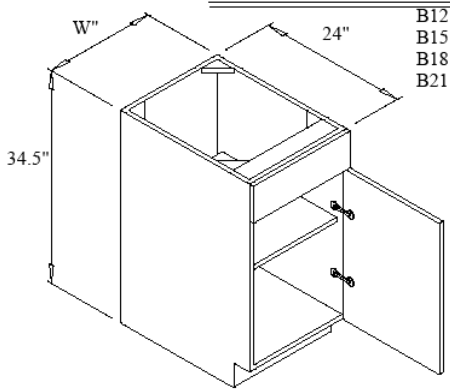
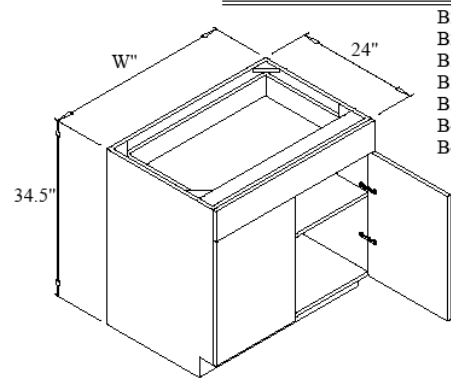


SINGLE DOOR BASE



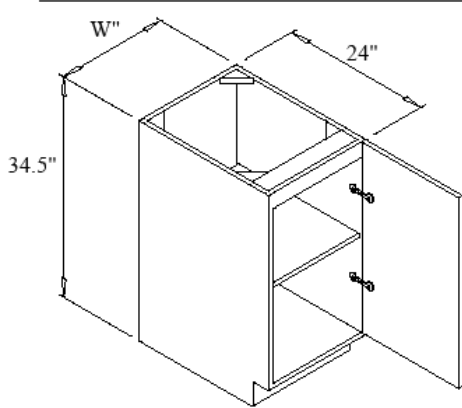
B12
B15
B18
B21

DOUBLE DOOR BASE



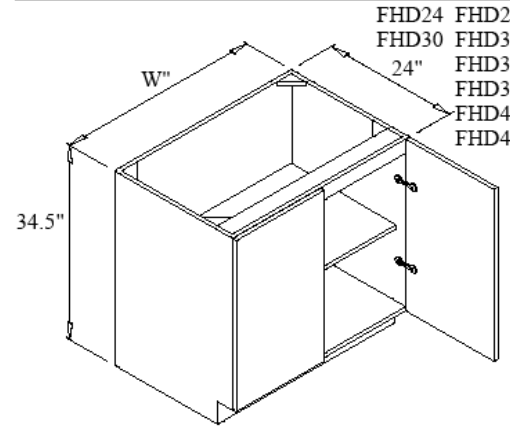
B24
B27
B30
B33
B36
B42
B48

FULL HEIGHT DOOR: SINGLE DOOR



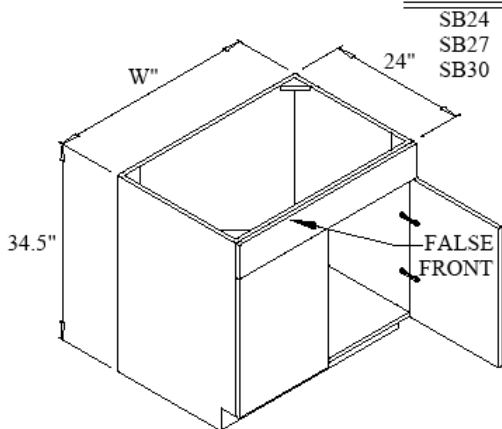
FHD12
FHD15
FHD18
FHD21

FULL HEIGHT DOOR: DOUBLE DOOR



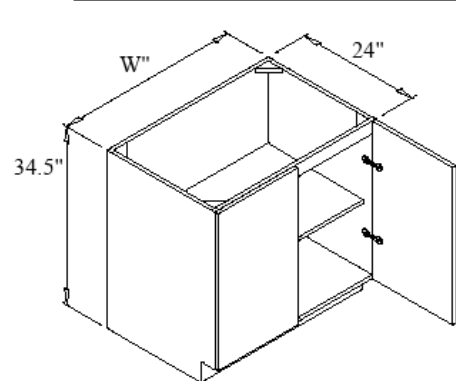
FHD24 FHD27
FHD30 FHD33
FHD36
FHD39
FHD42
FHD48

SINK BASE



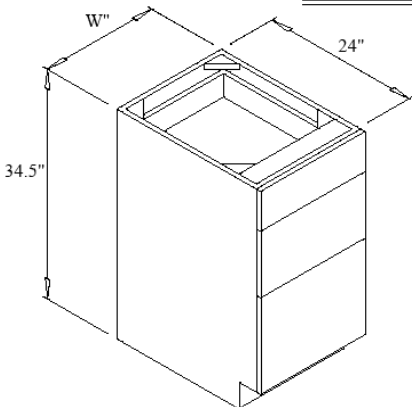
SB24 SB33
SB27 SB36
SB30 SB39
SB42
SB48

FULL HEIGHT DOOR: SINK BASE



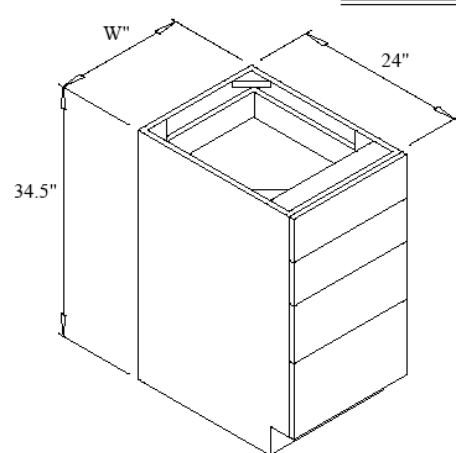
FHSB24
FHSB27
FHSB30
FHSB33
FHSB36
FHSB39
FHSB42
FHSB48

THREE DRAWER BASE



3DB12 3DB27
3DB15 3DB30
3DB18 3DB33
3DB21 3DB36
3DB24

FOUR DRAWER BASE



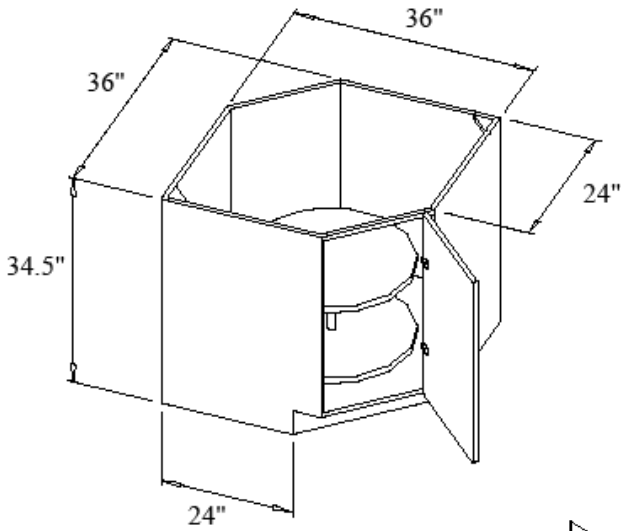
4DB12 4DB27
4DB15 4DB30
4DB18 4DB33
4DB21 4DB36
4DB24

STAINLESS STEEL KITCHENS

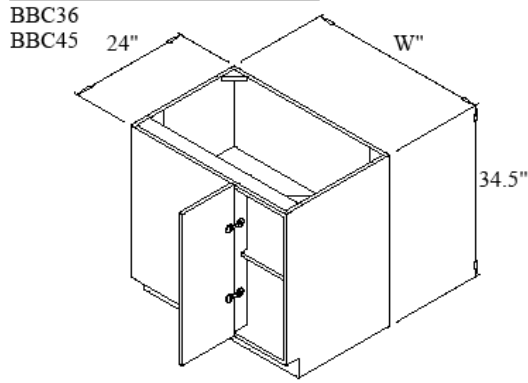
12911 INDUSTRIAL DRIVE #4

GRANGER, IN 46530

BASE CORNER CABINET
BC3636



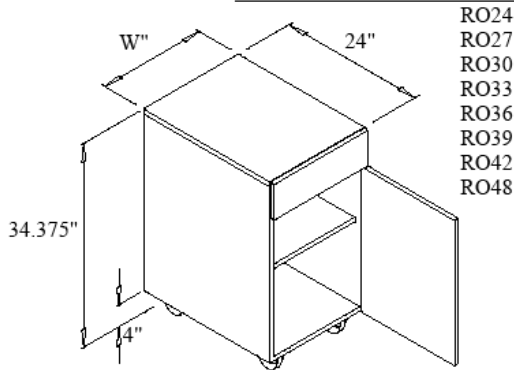
BLIND CORNER BASE



WALL CABINET:
12"-15"-18"-24" HIGH

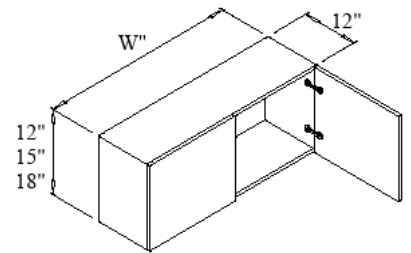
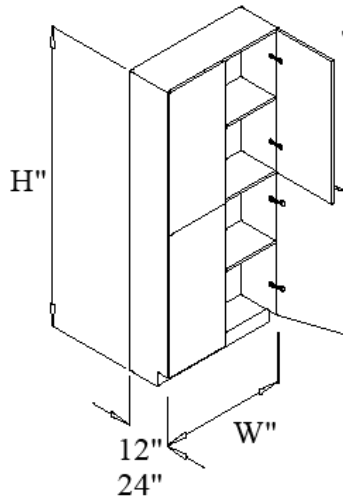
- W3012 W3015 W3018 W3024
W3612 W3615 W3618 W3624
W3912 W3915 W3918 W3924
W4212 W4218 W4224

ROLL OUT CABINET



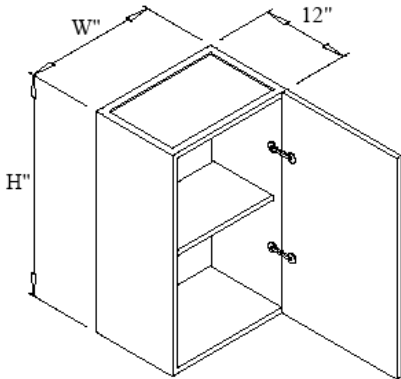
TOWER CABINET

- T2484 T2496
T248424 T249624
T3684 T3696
T368424 T369624

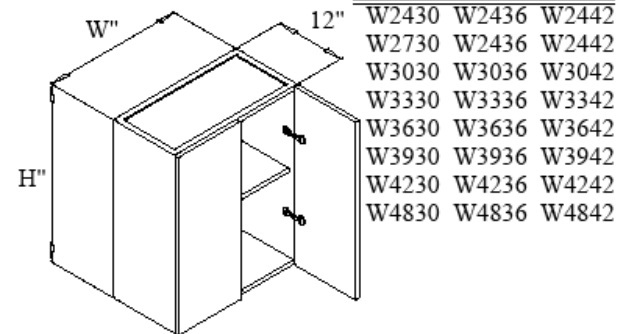


SINGLE DOOR WALL CABINET

- W1230 W1236 W1242
W1530 W1536 W1542
W1830 W1836 W1842
W2130 W2136 W2142

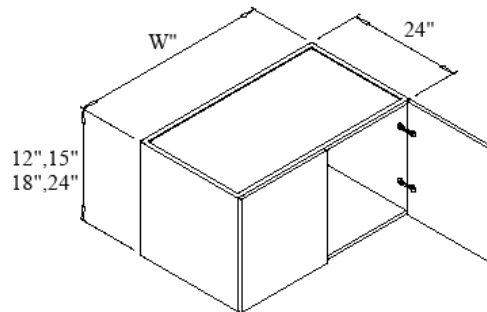


DOUBLE DOOR WALL



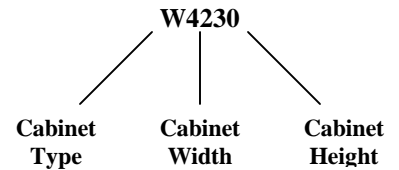
WALL CABINET: 24" DEEP

- 24W3612 24W3615 24W3618 24W3624
24W3912 24W3915 24W3918 24W3924
24W4212 24W4218 24W4224
24W4812 24W4818 24W4824



Cabinet Coding

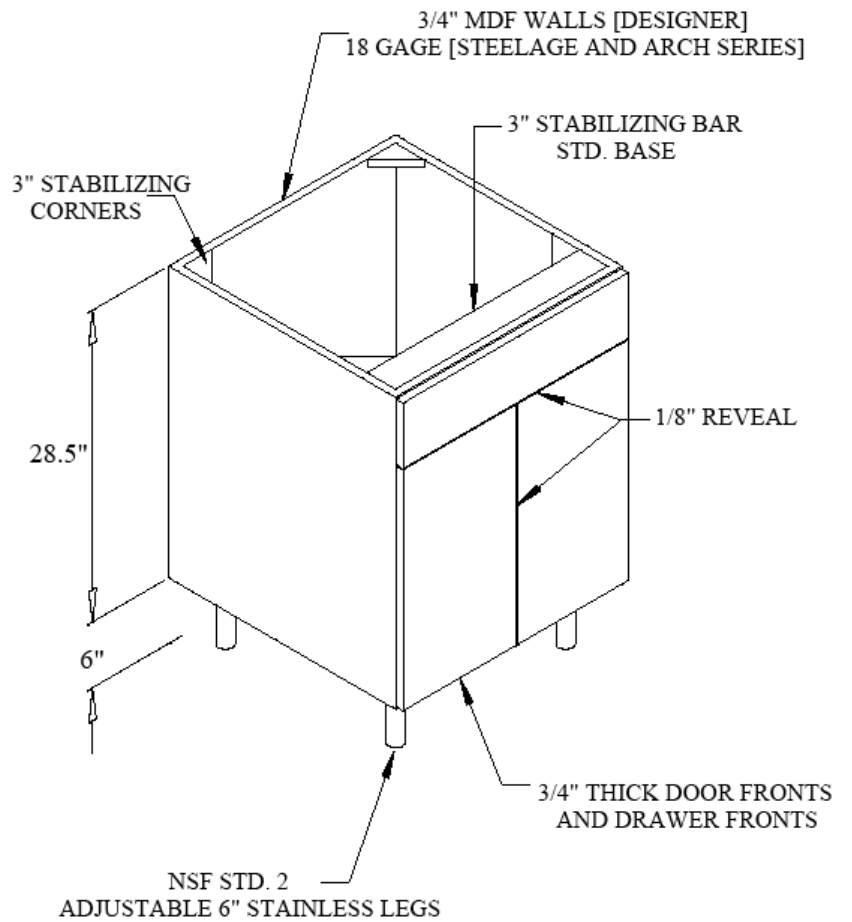
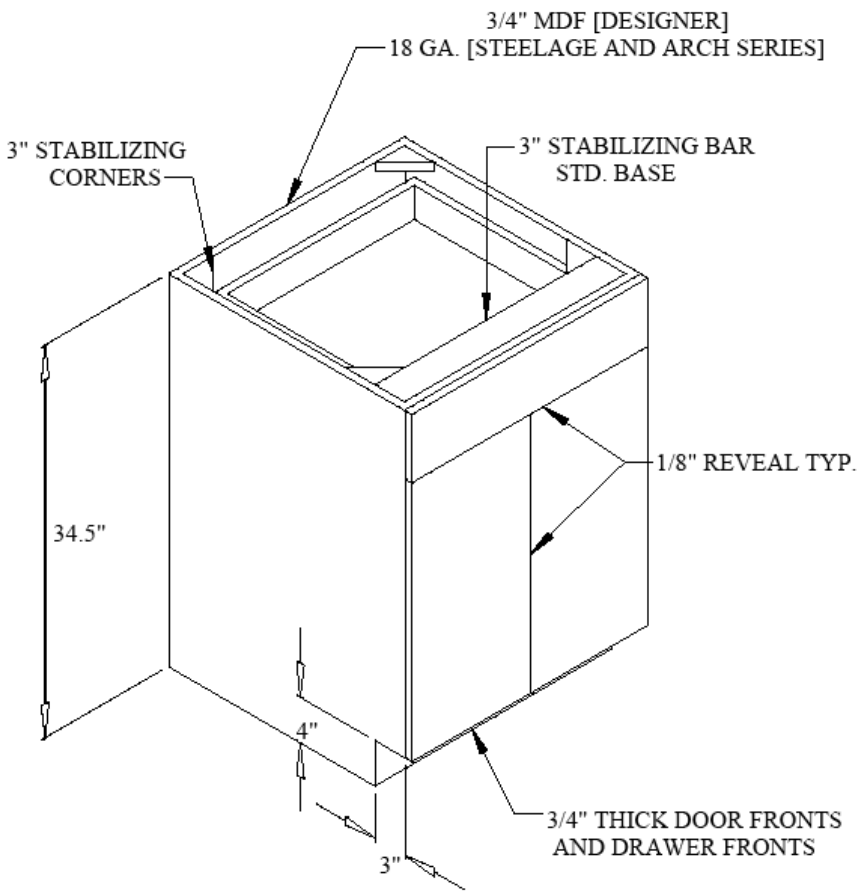
Standard wall cabinet depth 12" unless otherwise specified.



STAINLESS STEEL KITCHENS

12911 INDUSTRIAL DRIVE #4

GRANGER, IN 46530



STAINLESS STEEL KITCHENS

12911 INDUSTRIAL DRIVE #4
 GRANGER, IN 46530