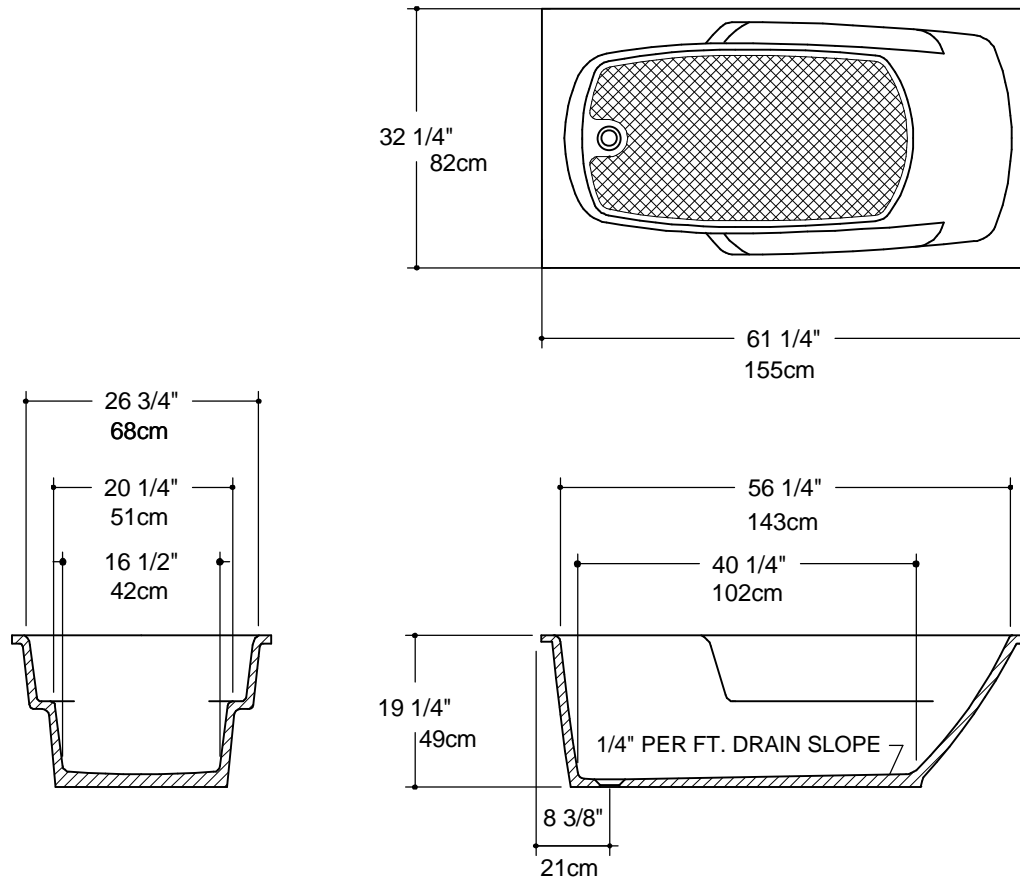


MK9

GRUBER SYSTEMS RESERVES THE RIGHT TO CHANGE THIS INFORMATION AT ANY TIME WITHOUT PRIOR NOTICE. ISSUED BY GRUBER SYSTEMS INC., 25636 AVENUE STANFORD, VALENCIA, CA 91355, USA. COPYRIGHT 2002



MOLD PART	CATALOG No.	DESCRIPTION
MALE	29009	MK 9 MALE
FEMALE	490098	F- MK 9 ONE PIECE
2PC FEM DECK	490091	F- MK 9 DECK
2PC FEM BOT	490092	F- MK 9 BOTTOM
TURTLE	490093	F-MARK 9 INSERT
ULFF	490099	ULFF MK 9-1/2"
ULFF INSERT	4900991	ULFF MK 9-INSERT 1/2"
SPEEDY PLUG	29109	MARK 9 SPEEDY PLUG
NAME	MARK 9 BATHTUB 61" X 32" X 19 1/4" (155cm X 82cm X 49cm)	
CAST WEIGHT	SCALE 1/2" = 1' 0"	DATE 8-30-02 PAGE No. T-5