

Linear Translator

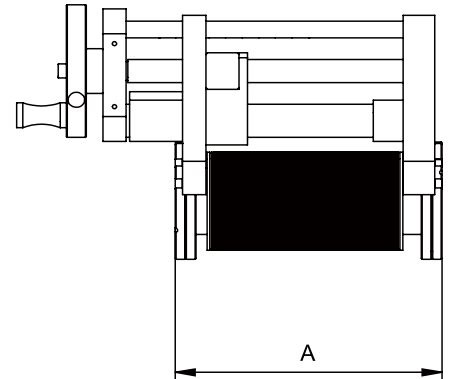
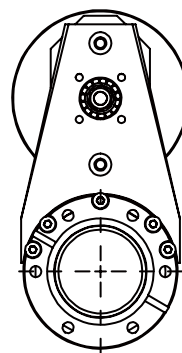


This compact linear translator covers different flange size and travel length and could be either manual or motor driven. This offers samples or probes to be inserted with high accuracy and stability into an UHV environment.

Standard version comes with manual actuator and please call in for options.

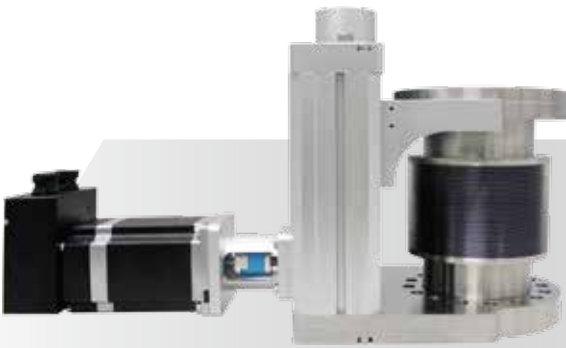
Specification

- ✔ Manual / Step Motor Actuator
- ✔ Working Pressure: 10^{-11} mbar to 1bar
- ✔ Bakeable to 200°C
- ✔ UHV Compatible Material
- ✔ Welded Bellows Seal with SS 316
- ✔ Tapped Flanges on Both Sides
- ✔ Etched Scale in 1mm Increments



Flange OD		Stroke (mm)	A Extended	A Compressed	Clear Bore	Weight (Kg)	Part Number
mm	inch		mm				
34	1.33	50	91	41	14	0.5	LTM16-50
70	2.75	50	119	69	38	2.4	LTM38-50
		75	161	86		2.5	LTM38-75
		100	187	87		2.6	LTM38-100
		150	255	105		2.9	LTM38-150
		200	325	125		3.4	LTM38-200

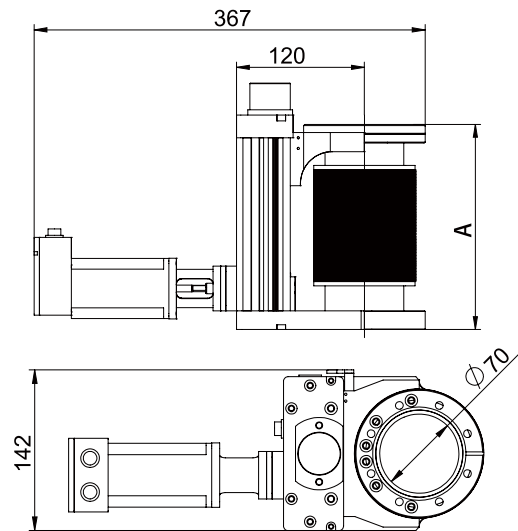
Linear Translator with Aluminum Frame



These linear translators have Solid Supporting Aluminum Frame. They are enough stable and accurate to carry heavy components inserted into a UHV environment. They covers travel length and could be either manual or motor driven. FERMI INSTRUMENTS also offer to customize these lenar translators.

Specification

- ✔ Welded Bellows Seal with SS 316
- ✔ Working Pressure: 10^{-11} mbar to 1 bar
- ✔ Etched Scale in 1mm Increments
- ✔ Bakeable to 150°C
- ✔ Standard CF Mounting Flange
- ✔ Tapped holes On Upper Flange And
Clear Holes On Lower Flange



Flange OD		Actuation	Stroke	A Extended	A Compressed	Weight	Part Number
mm	inch						
114	4.5	Manual	50	161	111	6.4	LBS63-50
		Motorized				7.9	LBS63-50M
		Manual	75	188	113	6.8	LBS63-75
		Motorized				8.3	LBS63-75M
		Manual	100	213	113	7.0	LBS63-100
		Motorized				8.5	LBS63-100M
		Manual	150	281	131	8.0	LBS63-150
		Motorized				9.5	LBS63-150M
		Manual	200	347	147	9.5	LBS63-200
		Motorized				11	LBS63-200M