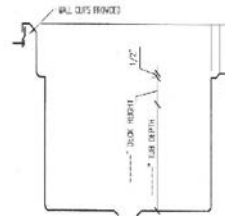
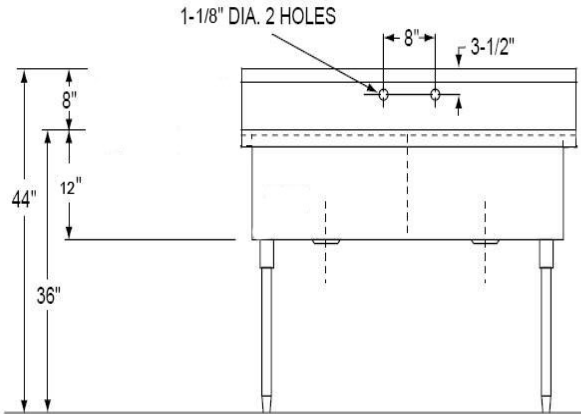
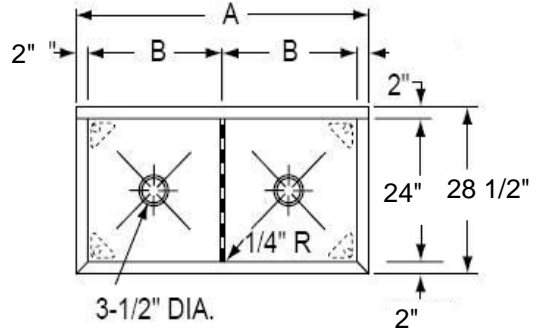


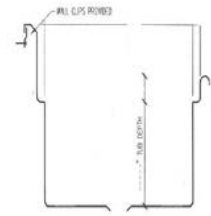
# WICKETTS STAINLESS

## SPECIFICATION

Commercial Sink  
Heavy Duty  
TWO Compt. WCS-4200



Marine Edge



Rolled Edge

Model Number	A	B
WCS-4215	34	15
WCS-4218	40	18
WCS-4224	52	24

### Engineering Specification:

14 gauge, type 304 stainless steel scullery sink. 12" deep construction. Full length 8" high backsplash with 45° sloped top. 1-1/2" wide sloping top channel rims. Exposed surfaces polished to a satin finish. Supported on (4) stainless steel, 1-5/8" O.D. tubular legs, Adjustable bullet feet.

**Wicketts Stainless, LLC.**  
2618 San Miguel Dr. Bldg. # 376  
Newport Beach, CA 92660  
Tel: 951-858-2548  
Fax: 951-638-9059  
sales@wickettsstainless.com  
www.wickettsstainless.com



Approved for Manufacturing

Company: \_\_\_\_\_  
Signature: \_\_\_\_\_  
Print: \_\_\_\_\_ Date: / /