

Radio Interface Cable

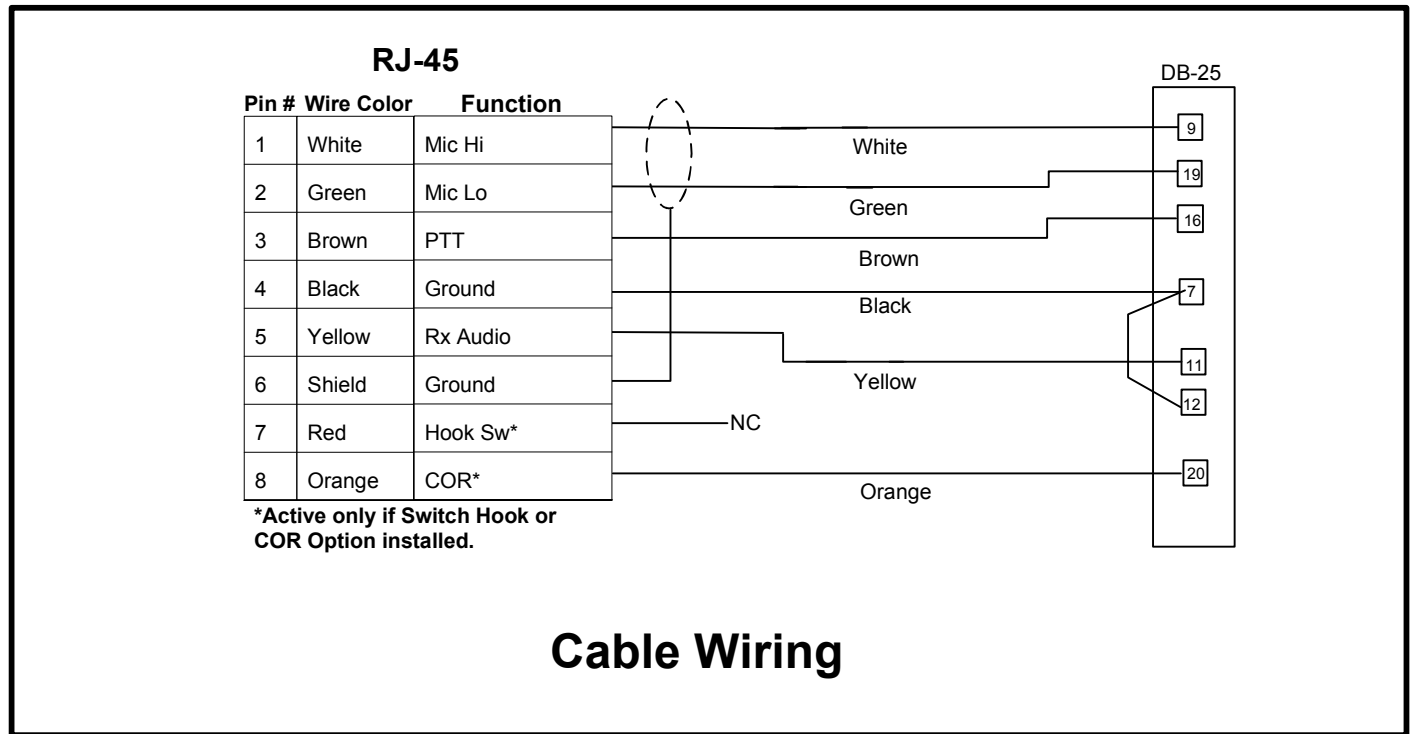
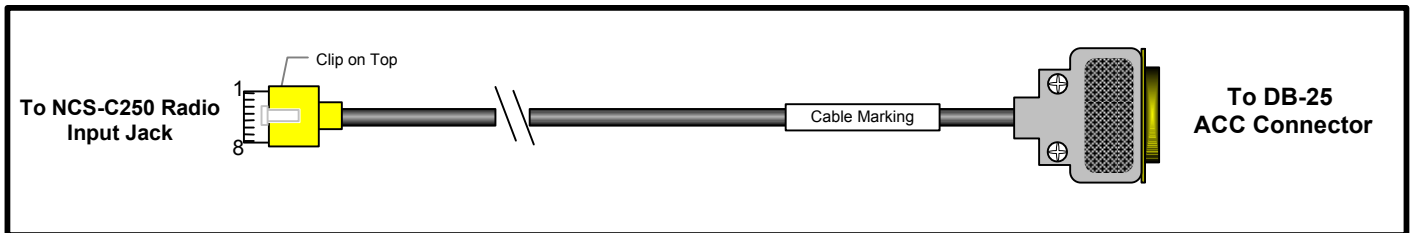
For NCS-C250 Mobile Multi-Switcher

NCS Model Number

NCS-250-KRA-XX

Compatible Radios:

TKR-750	TKR-751	NXR-710
TKR-850	TKR-851	NXR-810



Note:

1. Pin 20 of the DB-25 ACC connector must be programmed for COR or TOR Output. Program the following using the appropriate programming software:
 - (a) Function Port/Aux Select/Aux I/O 1 to "Aux Output"
 - (b) Aux Tab/Aux Output/Aux In/Out 1 to "COR" or "TOR"