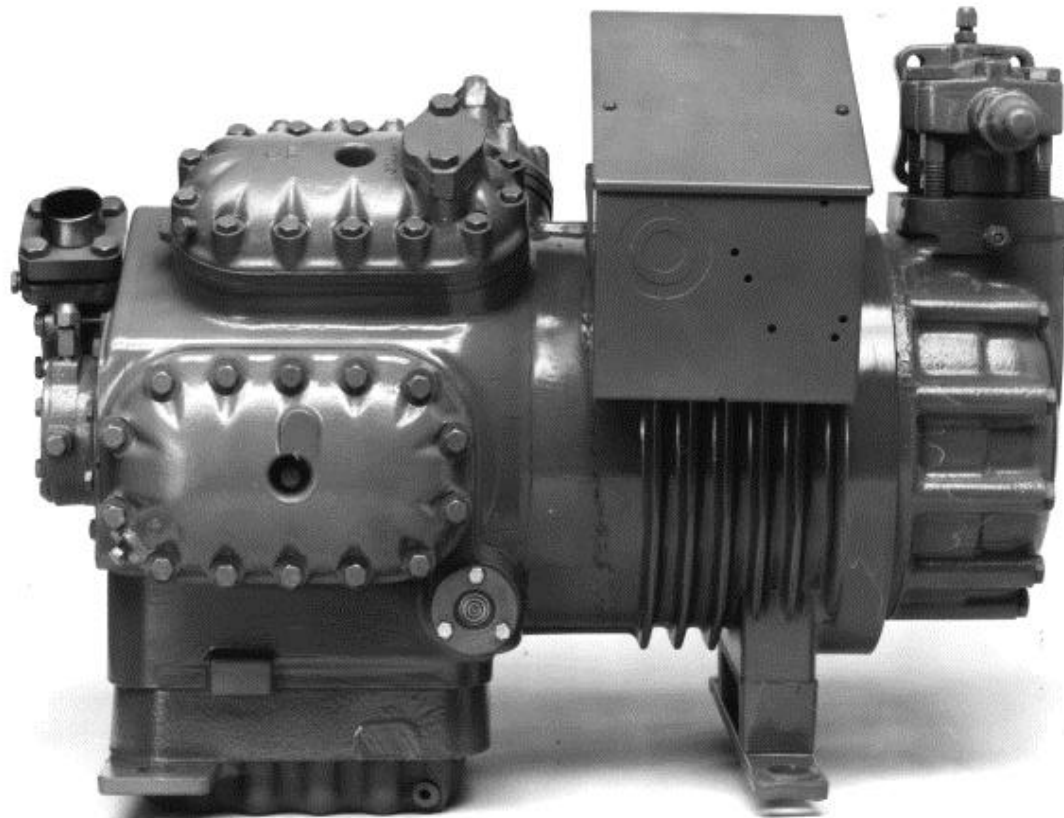

DWM COPELAND

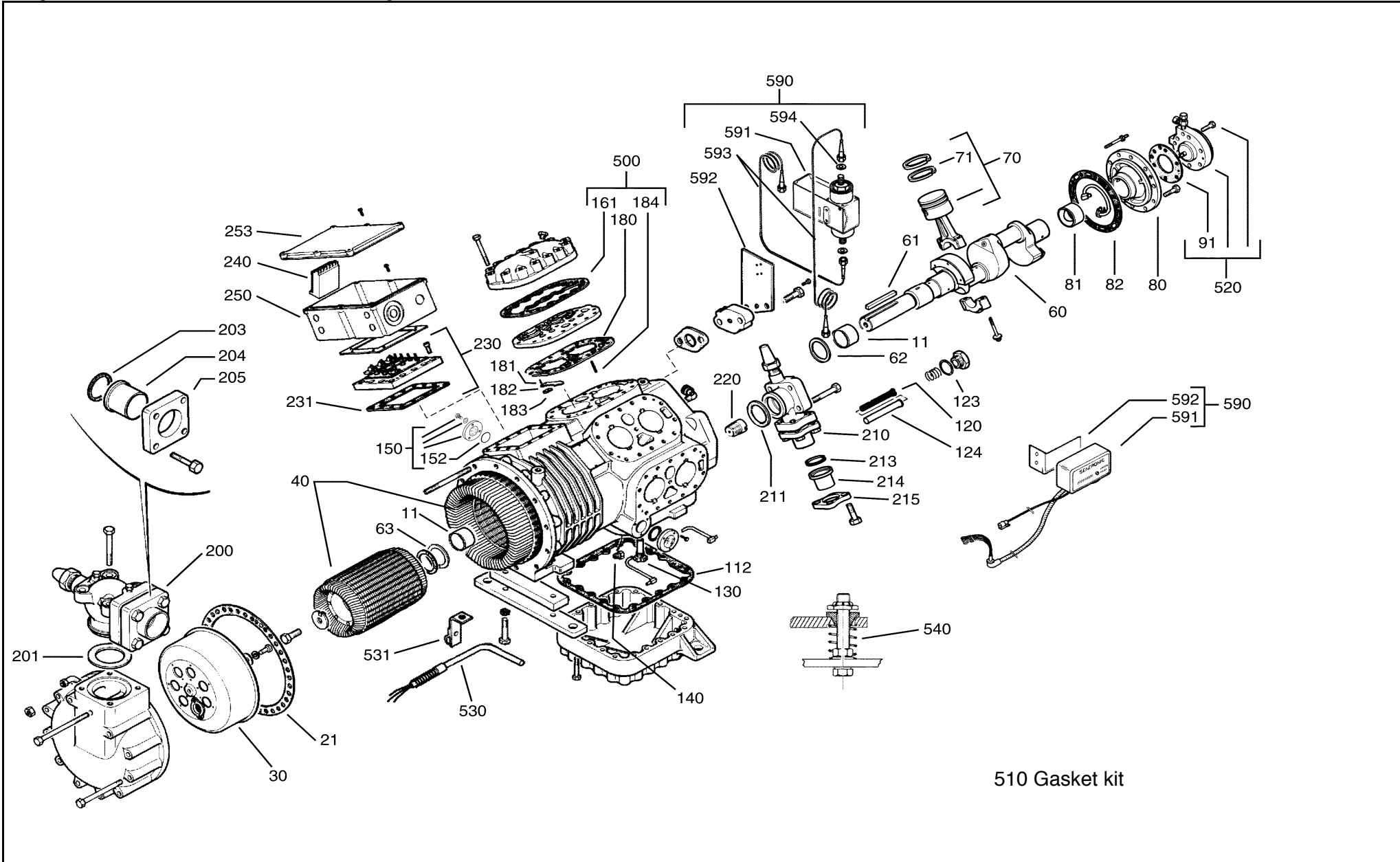
**Spare Parts List for
Motor Compressors**

D8S.*



Exploded View of a Motor Compressor

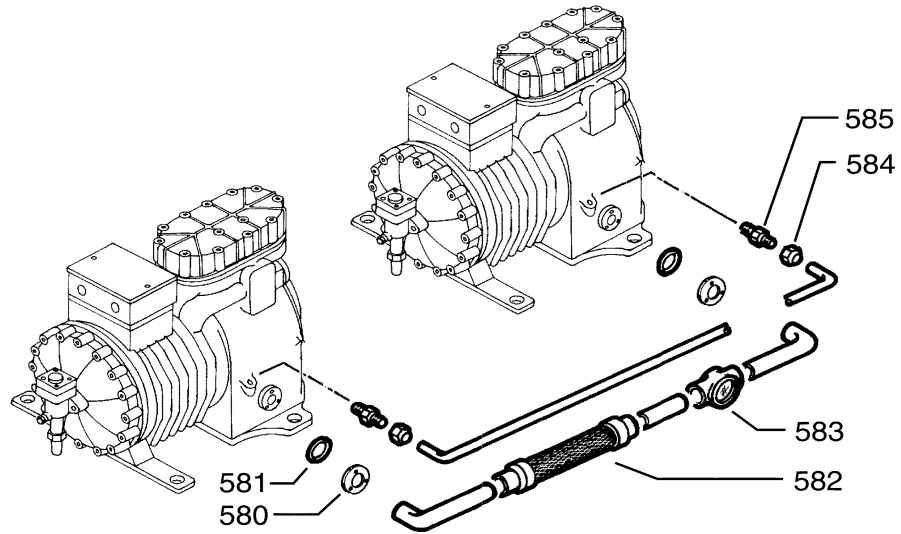
D8S.*



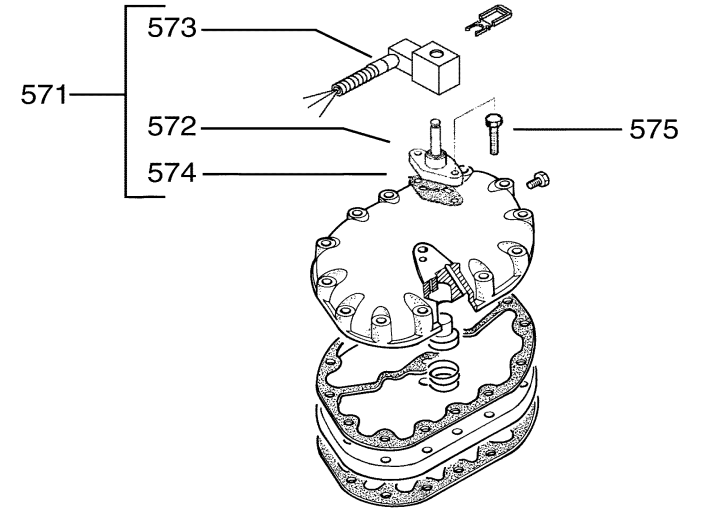
Exploded View of a Motor Compressor

D8S.*

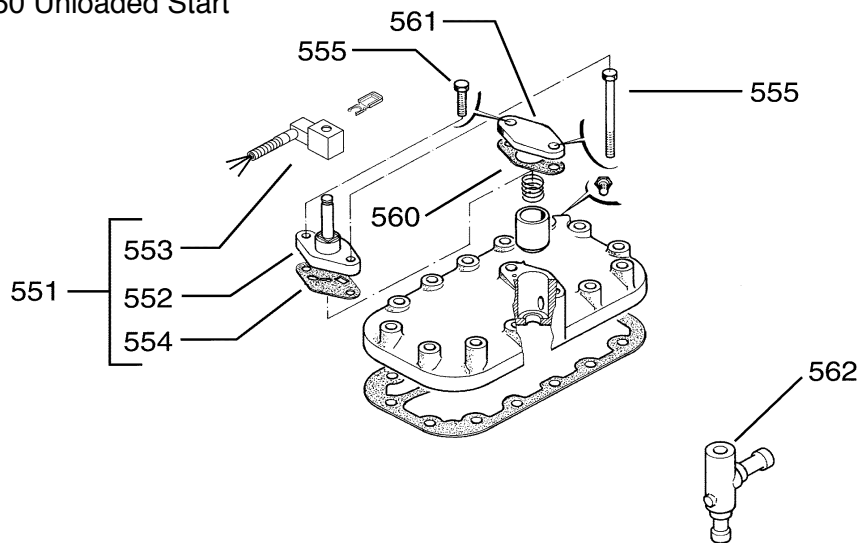
580 Oil balance tube for 2 compressors



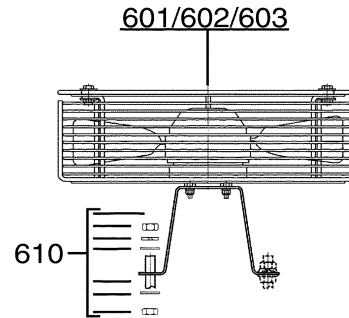
570 Capacity Control



550 Unloaded Start



600 Additional fan EBM 75 Z



600 Additional fan 60W

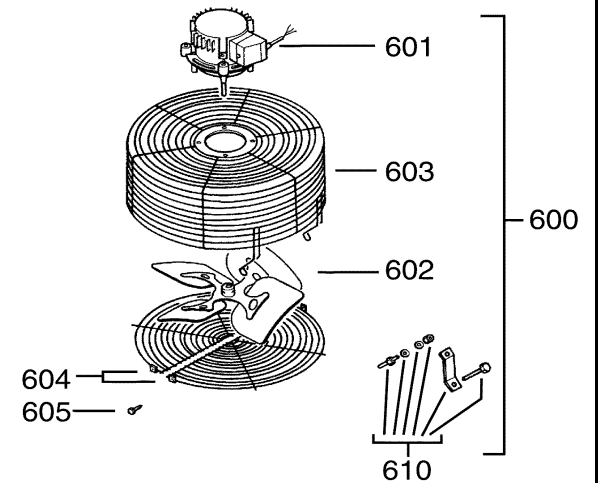


Diagram No.	Description	Part No.	D8SH*-3700	D8SH*-4000	D8SH*-5000	D8SJ*-4500	D8SJ*-5000	D8SJ*-6000	D8SK*-6000	D8SK*-7000																			
610	Compressors marked with a "X" in the model name, e.g. D8SJ*-600X, are charged with ester oil and have the same parts as the standard compressors Mounting kit for additional fan EBM	2986293				1	1	1	1	1																			