

Semi-Flush Touchdown Zone Light

Compliances:

- ICAO: Annex 14 - Volume I
- FAA : L-850B AC150/5345-46 (Current Edition)
- IEC: TS 61827
- NATO: STANAG 3316

Manual:

- Instruction Manual **UT- MT- 0411**



Applications:

- The TDZF is a high intensity semi-flush touchdown zone light that can be used for any category I, II and III ICAO, FAA and military runways.
- These fixtures are designed to be powered by series circuits.
- The field installation shall be in compliance with the requirements of ICAO - Annex 14, FAA or STANAG 3316 Specs.

Performances and benefits:

- 6mm protrusion: FAA Style 3 and IEC Style 4 to reduce damages to aircraft tires and snowplough blades.
- Dome temperature less than 160° C when the light is working at 6.6 A.
- 1500 hours lamp rated life at 6.6 A or far over 3000 hours in field operating conditions.
- Designed and manufactured with simplicity and easy to maintain.

Features:

- Aluminium treated drop-forged dome and cast aluminium lower cover.
- Unidirectional, 12" dia., with one lamp.
- The prism is mechanically clamped to the dome by means of a mounting plate; a customized lens gasket avoids the use of sealing. Replacement is quick and easy.
- No optical adjustment is required after the replacement of the lamp or prism.
- An O-ring placed outside around the dome avoids dirt deposits between light unit and mounting assembly.
- The removal of the fixture is easy thanks to the two seats provided on the dome.

Luminous Source:

- One 48W 6.6A tungsten-halogen lamps complete with dichroic reflector and cable with male faston terminal.

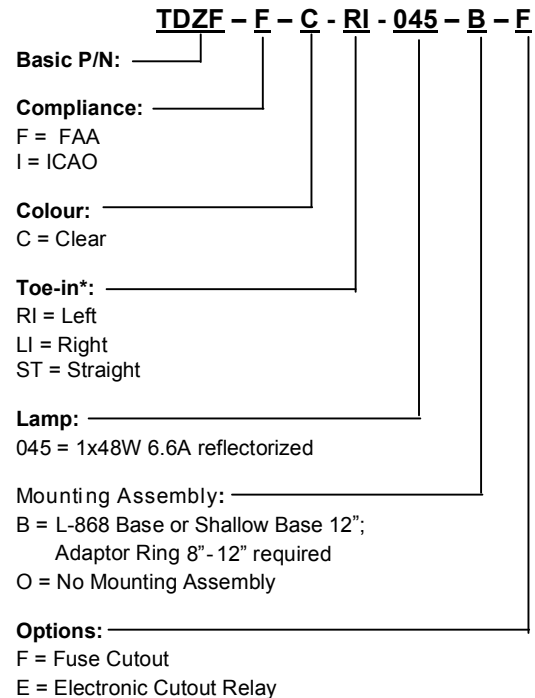
Power Supply:

- From 30/45W up to 300W series transformer.

Base:

- The light unit can be directly mounted on a deep base, L-868 type, size B or a shallow base, 12" dia., when fitted with the adaptor ring.

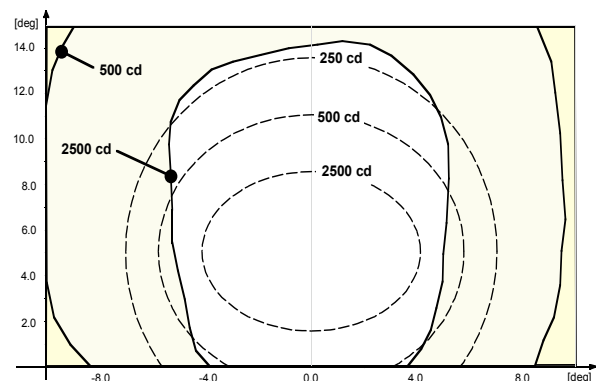
How to order:



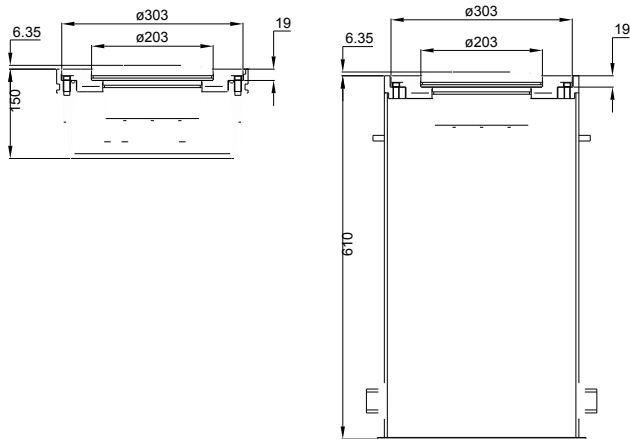
FAA Approved, ETL certified.

* Toe-in Selection

The beam aiming is not field adjustable.



ICAO - Clear



TDZF - Typical installation



Accessories:

[P/N]	Description
315.1230	Base L-868 type, class IA, size B, 24" deep *
315.1420	Flange ring with pavement dam for L-868 base, size B, with O-ring and bolts
332.4140	Lifting tool (2 pieces to work properly)

* Sectional bases may be required depending upon the paving technique

Renewal Parts for light unit:

[N°]	Description	[P/N]
1	Aluminium unidirectional dome, complete with prism and gaskets	152.5460
2	O-Ring for dome	758.2014
3	O-Ring for lower cover	758.2120
4	Prism Gasket	325.0430
5	Prism	318.1241
6	Teflon Gasket	325.0416
7	Mounting Plate	341.0960
8	48W 6,6A Halogen Lamp	760.2191
9	Lampholder ST	152.1710
9	Lampholder RI	152.1720
9	Lampholder LI	152.1730
10	Fuse Cutout	000.1466
11	Insulated Strip with Hardware	329.3025
12	Lower cover with 1 entry, complete with plug and valve	152.5300
13	O-Ring for base	758.2008
14	O-Ring for terminal bush	758.2035
15	FAA L-823 plug	329.0050
16	Valve for watertightness test	786.7045

Shipping Weights and Volumes	
	Light Unit
Weight (Kg)	2.9
Volume (cu.m)	0.007



7857-12 Drew Circle
 Fort Myers, Florida 33967
 Tel: 866-273-5906 Fax: 866-345-5906
 Intl 239-432-0200 Fax: 239-432-0219

Manufactured by **Multi**
 ELECTRIC