

ACAPULCO

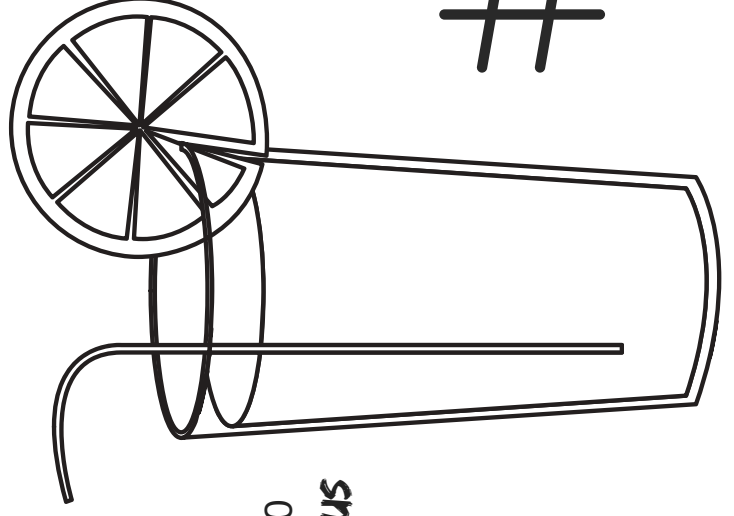
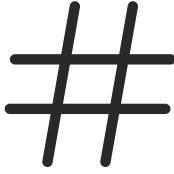
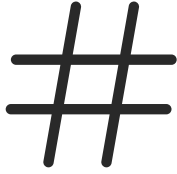
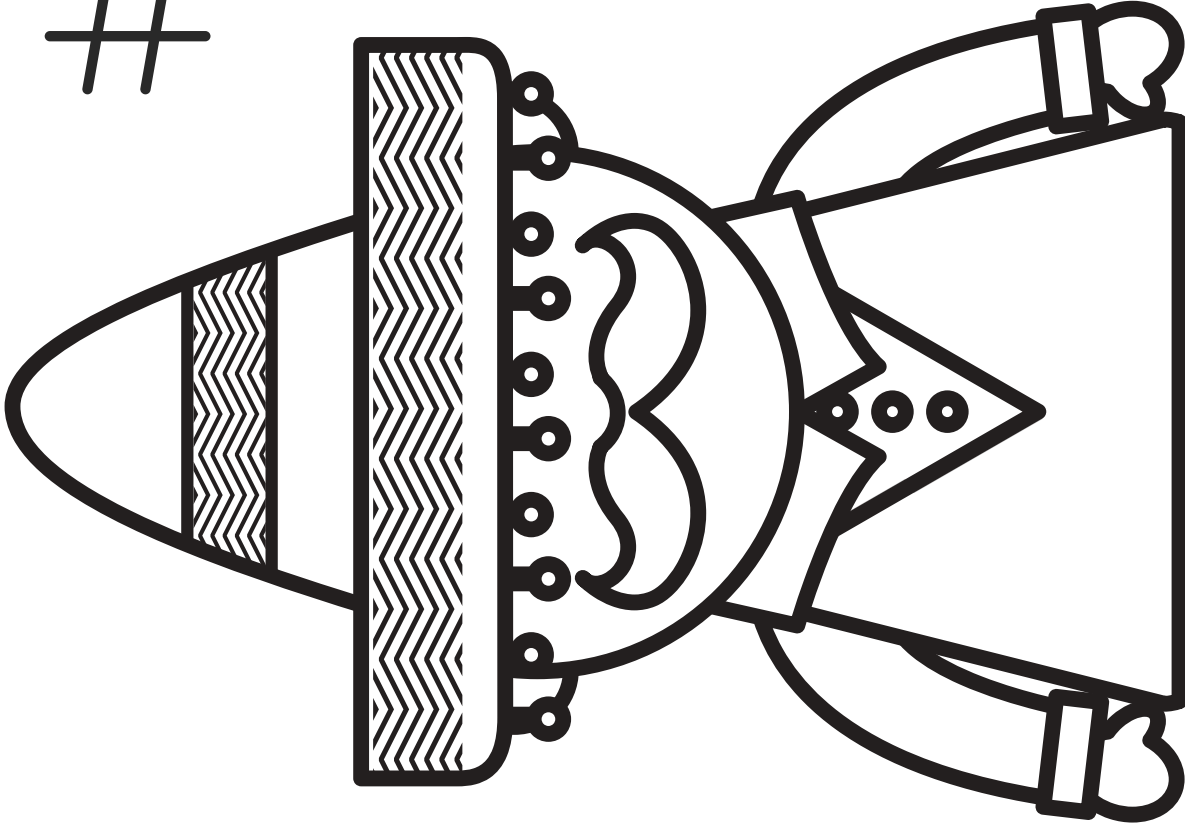
RESTAURANTE MEXICANO

MENU DE NIÑOS

- Plato de Niño Taco or Burrito
- Little Pancho Quesadilla
- Grilled Cheese Sandwich
- Chicken Strips
- Cheeseburger
- Mac & Cheese →

made with our famous
Cheese Sauce!

Kid's meals come with your choice of:
hand cut fries, rice and beans,
fresh fruit, or grilled veggies.
\$4.99 - 12 and under



Try our **NEW**

Agua Fresca! \$1.60

STRAWBERRY HIBISCUS

TAMARIND

