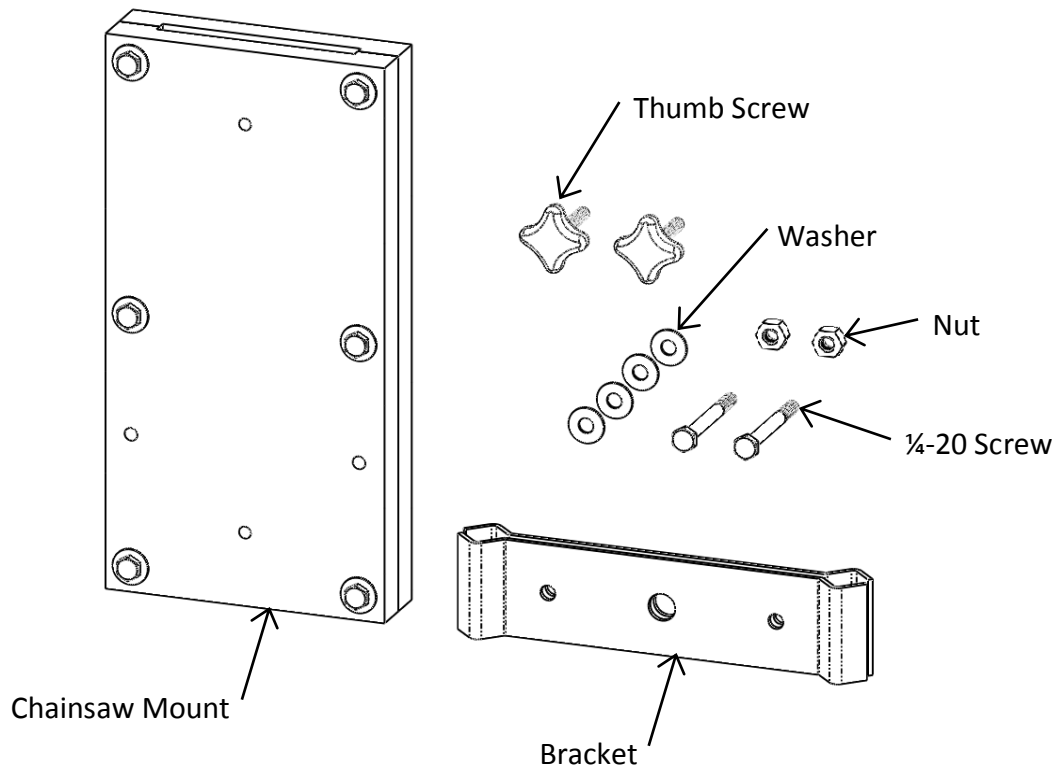


# RZR Chain Saw Mount Installation Kit



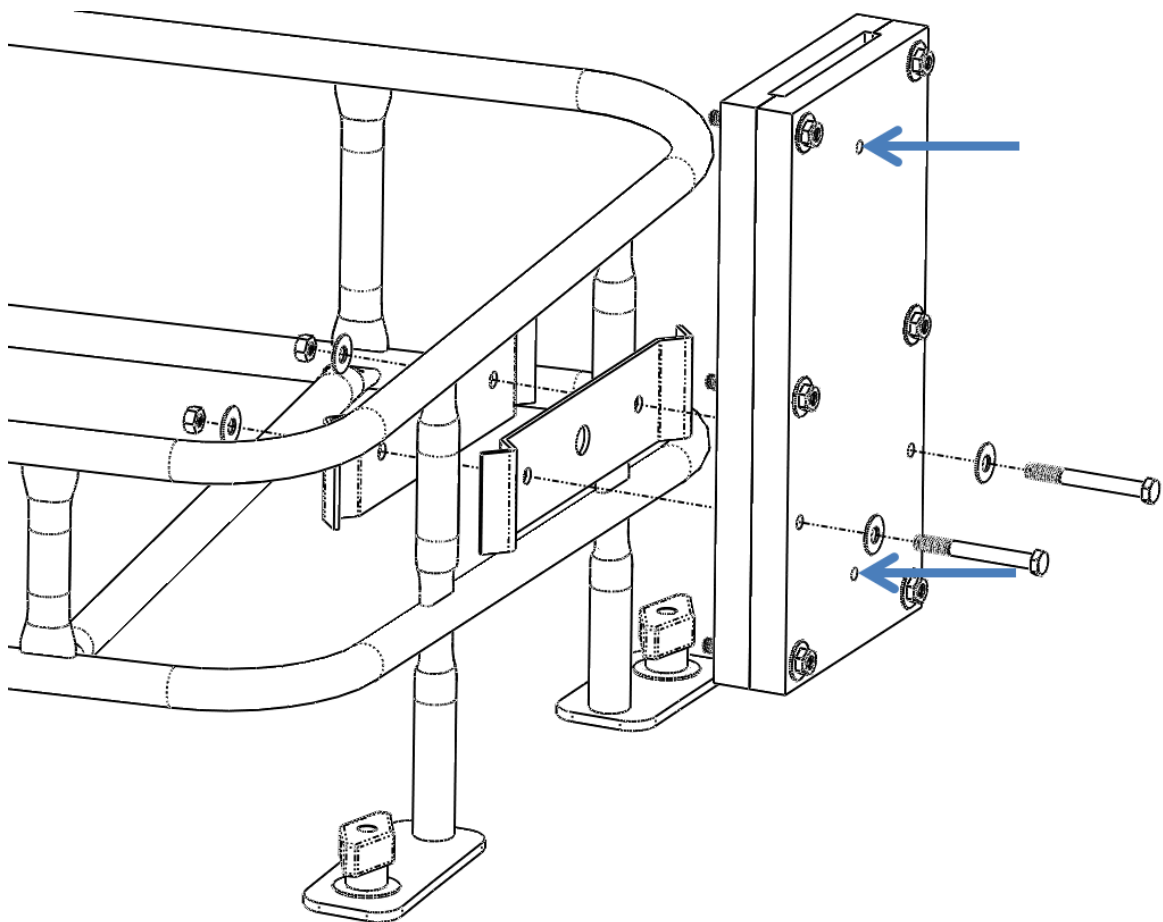
The RZR Chain Saw Cargo Rack Mount Installation Kit fits RZR Models RZ-570, RZ-800, RZ 801, RZ 901 & RZ-900. The Kit comes with a Chainsaw Mount, 2x Brackets, 2x ¼-20 Bolts, 4x Washers, 2x Nuts and 2x Thumb Screws



# Installation:

## Step 1.

Pass the Screws through the Washers and then through the Chainsaw Mount (note the threaded holes should be facing away from the Brackets). Place a Bracket on either side of the RZR Cargo Rack vertical bars. Pass the Screws through the Brackets and add the remaining Washers and the Nuts. Tighten down the Nuts.



## Step 2.

Insert the Thumb Screws into the two threaded holes on the Chainsaw Mount. Do NOT insert more than a few turns as the Chainsaw will not be able to pass by them if they are in too far. Once the Chainsaw is in place, tighten the Thumb Screws until they are snug, over tightening may damage the Chainsaw.

