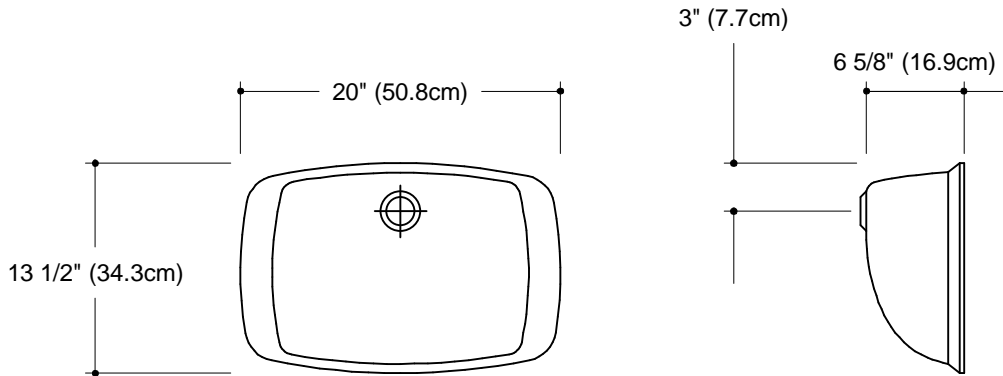


GRUBER SYSTEMS RESERVES THE RIGHT TO CHANGE THIS INFORMATION AT ANY TIME WITHOUT PRIOR NOTICE. ISSUED BY GRUBER SYSTEMS INC., 25636 AVENUE STANFORD, VALENCIA, CA 91355, USA. COPYRIGHT 2002



MOLD PART	CATALOG No.	DESCRIPTION
MALE	20061	108-SH SAVANNAH
FEMALE	400618	F-108-SH SAVANNAH
PERMANENT HATS	002258	PH-SH (R) SAVANNAH
	002259	PH-SH NO OVERFLOW
REUSABLE HATS	013634	RH-SH
	013634UN	RH-SH UNTRIMMED
	013635	RH-SH NO OVERFLOW
NAME	108 SAVANNAH	
CAST WEIGHT	SCALE 1" = 1' 0"	DATE 8-30-02 PAGE No. BF-12