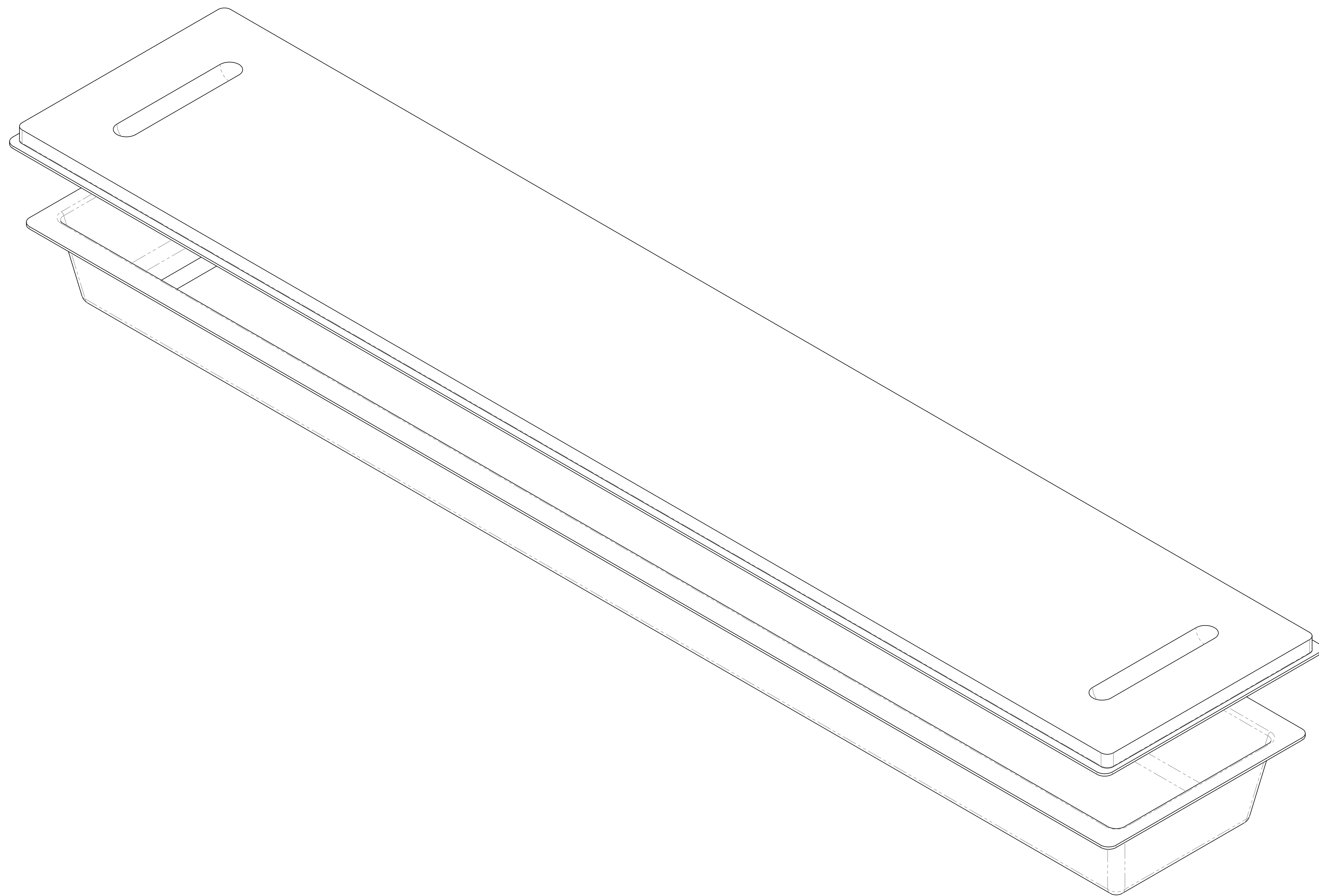


SECTION B-B
SCALE 1 : 2

SECTION A-A
SCALE 1 : 2

Hoosier Plastics, Inc.		Thermoformed Plastic Products	
2011 South Third St. Terre Haute, IN • Phone: (812) 232-5027 •			
PART NUMBER: 3366	REV A	UNLESS OTHERWISE SPECIFIED	DRAWN BY: MJM
DESCRIPTION: TUBE TRAY (OLD STYLE)		DIMENSIONS ARE IN INCHES DRAFT IS 3°	DATE: 05/18/2007
CUSTOMER: ---		DIMENSIONS TO CAVITY SIDE	MATERIAL: DOW 555 ABS
CUSTOMER PART NUMBER: ---		TOLERANCES: ANGULAR: 1° DECIMAL: .020	STOCK SIZE: 3.5" x 6.5" x 50.1"
SCALE: 1:2		THIS DESIGN IS THE SOLE PROPERTY OF HOOSIER PLASTICS, INC UNTIL PURCHASED BY CUSTOMER	SHEET 1 OF 2



Hoosier Plastics, Inc.			
2011 South Third St. Terre Haute, IN • Phone: (812) 232-5027 •			
		Thermoformed Plastic Products	
PART NUMBER: 3366	REV A	UNLESS OTHERWISE SPECIFIED	DRAWN BY: MJM
DESCRIPTION: TUBE TRAY (OLD STYLE)		DIMENSIONS ARE IN INCHES DRAFT IS 3°	DATE: 05/18/2007
CUSTOMER: ---		DIMENSIONS TO CAVITY SIDE TOLERANCES: ANGULAR: ± DECIMAL: .020	MATERIAL: DOW 555 ABS
CUSTOMER PART NUMBER: ---		THIS DESIGN IS THE SOLE PROPERTY OF HOOSIER PLASTICS, INC UNTIL PURCHASED BY CUSTOMER	STOCK SIZE: 3.5" x 6.5" x 50.1"
SCALE: 1:2			SHEET 2 OF 2